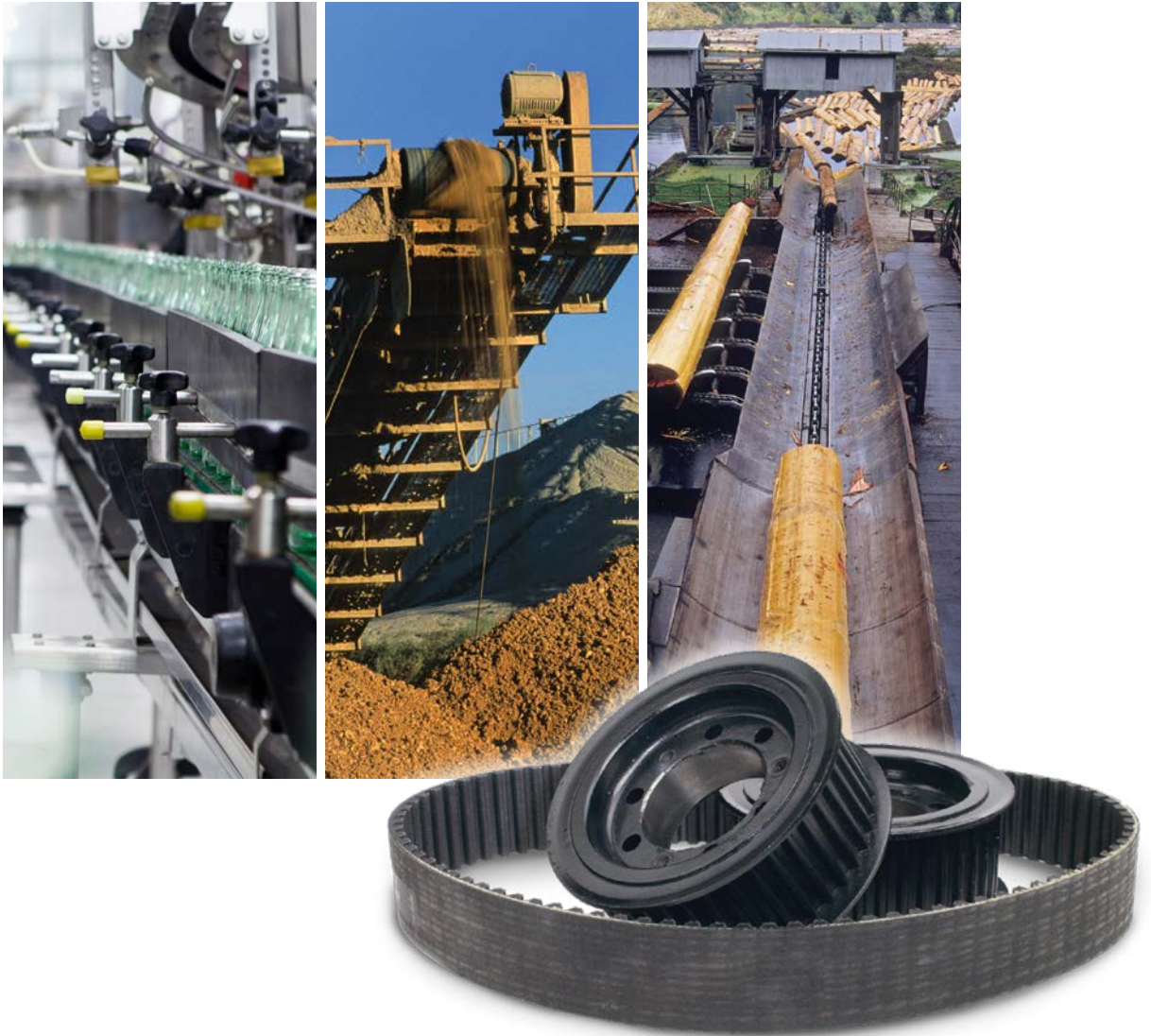


# Synchronous Drives



 **TB Wood's**<sup>®</sup>  
Altra Industrial



DISTRIBUIDOR  
AUTORIZADO

MEX (55) 53 63 23 31  
QRO (442) 1 95 72 60

MTY (81) 83 54 10 18  
ventas@industrialmagza.com



DISTRIBUIDOR  
AUTORIZADO

MEX (55) 53 63 23 31  
QRO (442) 1 95 72 60

MTY (81) 83 54 10 18  
ventas@industrialmagza.com

# TB Wood's

TB Wood's is an industry leading designer and manufacturer of mechanical power transmission equipment for industrial control. Our mechanical product lines include: clutch and brake, synchronous and belted variable speed drives; grid, disc, jaw, gear coupling and elastomeric coupling products; sheaves and bushings. Registered trademarks include Sure-Flex Plus®, Dura-Flex®, G-Flex®, and Sure-Grip®.

TB Wood's was founded in 1857 and began as a foundry producing wood burning stoves. Our company's tradition of product innovation started early. TB Wood's entered the power transmission industry at the turn of the century with the introduction of flat belted drives and line shafting.

VISIT US ON THE WEB AT  
**TBWOODS.COM**



# Altra Motion

Altra is a leading global designer and producer of a wide range of electromechanical power transmission and motion control components and systems. Providing the essential control of equipment speed, torque, positioning, and other functions, Altra products can be used in nearly any machine, process or application involving motion. From engine braking systems for heavy duty trucks to precision motors embedded in medical robots to brakes used on offshore wind turbines, Altra has been serving customers around the world for decades.

Altra's leading brands include **Ameridrives**, **Bauer** Gear Motor, **Bibby** Turboflex, **Boston** Gear, **Delevan**, **Delroyd** Worm Gear, **Deltran**, **Formsprag** Clutch, **Guardian** Couplings, **Huco**, **Jacobs** Vehicle Systems, **Kilian**, **Kollmorgen**, **Lamiflex** Couplings, **Marland** Clutch, **Matrix**, **Nuttall** Gear, **Portescap**, **Stieber**, **Stromag**, **Svendborg** Brakes, **TB Wood's**, **Thomson**, **Twiflex**, **Warner** Electric, **Warner** Linear and **Wichita** Clutch.

VISIT US ON THE WEB AT **ALTRAMOTION.COM**



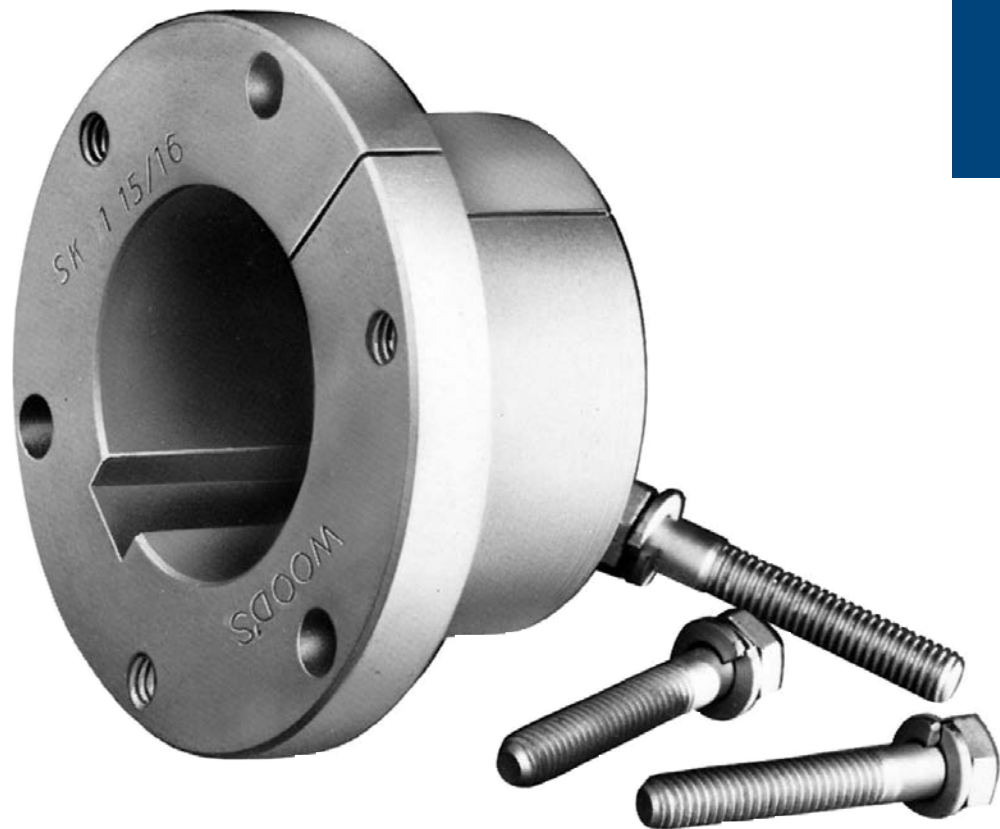
**DISTRIBUIDOR AUTORIZADO** MEX (55) 53 63 23 11 MTY (81) 83 54 10 18  
QRO (442) 1 95 72 60 ventas@industrialmagza.com



**DISTRIBUIDOR AUTORIZADO** MEX (55) 53 63 23 31 MTY (81) 83 54 10 18  
QRO (442) 1 95 72 60 ventas@industrialmagza.com

# Wood's Sure-Grip® QD Bushings

A1



- Provide a True Clamp Fit
- Are Easy to Install and Remove
- Provide Four-Way Mounting



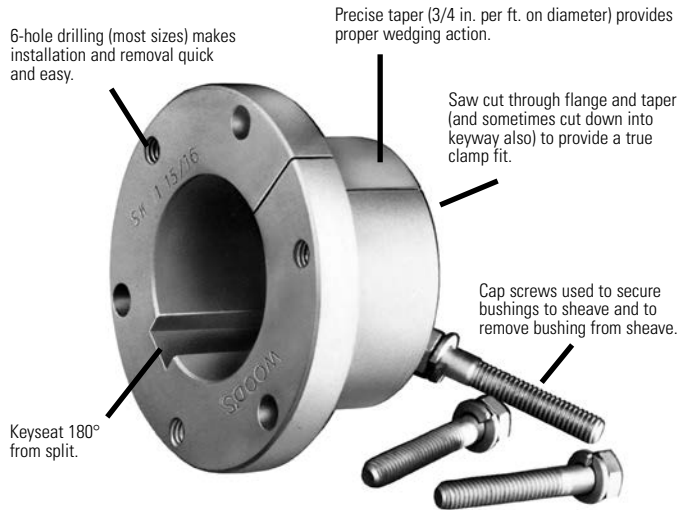
DISTRIBUIDOR AUTORIZADO MEX (55) 53 63 23 31 MTY (81) 83 54 10 18  
QRO (442) 1 95 72 60 [ventas@industrialmagza.com](mailto:ventas@industrialmagza.com)

# Sure-Grip® Bushings

## Features

Sure-Grip® “Quick Detachable” bushings are easy to install and remove. They are split through flange and taper to provide a true clamp on the shaft that is the equivalent of a shrink fit. All sizes except JA and QT have a setscrew over the key to help

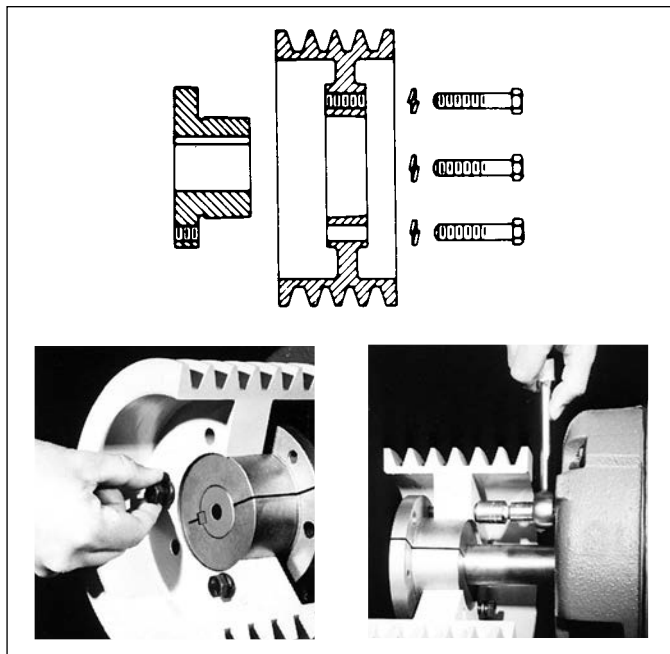
maintain the bushing’s position on the shaft until the cap screws are securely tightened. Sure-Grip bushings have a very gradual taper (3/4-inch taper per ft. on the diameter) which is about half the inclined angle of many other bushings. The result is the Sure-Grip securely clamps the shaft, with twice the force of those competitive bushings, to provide extreme holding power.



Versatile Sure-Grip bushings permit the mounting of the same mating part on shafts of different diameters, and the mounting of different sheaves on the same shaft using the same bushing. Their interchangeability extends through sheaves, pulleys, timing pulleys, sprockets, flexible and rigid couplings, made-to-order items by Wood’s, and to product lines of several other mechanical power transmission manufacturers.

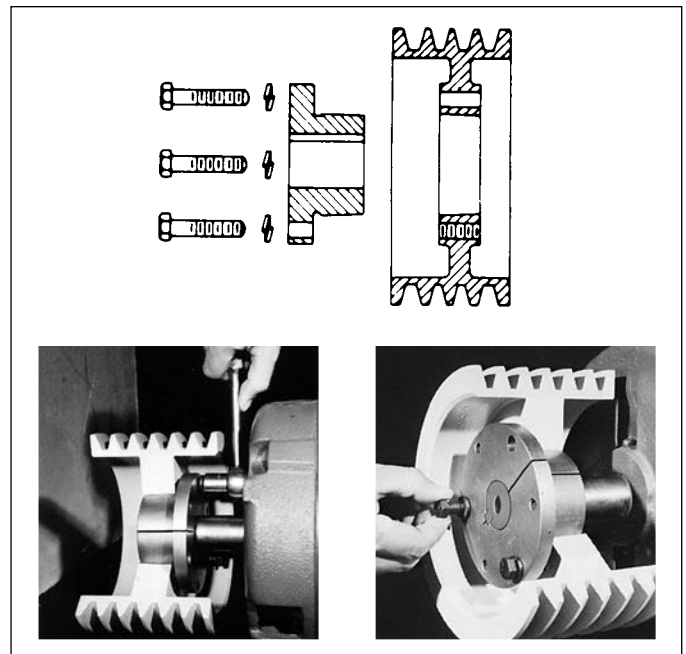
Sure-Grip bushings are manufactured with the drilled and tapped holes located at a precise distance from the keyseat; thus, a wide mating part having a bushing in each end can be mounted on a common shaft with the two keyways in line. This feature not only facilitates installation but also permits both bushings to carry an equal share of the load.

## STANDARD MOUNTING



1. Cap screws from outside through drilled holes in the mating part and into threaded holes in the bushing flange located on the inside of the assembly. Or the complete assembly reversed on the shaft and;
2. Cap screws from inside through drilled holes in the mating part and into threaded holes in the bushing flange located on the outside of the assembly.

## REVERSE MOUNTING



3. Cap screws from inside through drilled holes in the bushing flange located on the inside of the assembly and into threaded holes in the mating part.
4. Cap screws from outside through drilled holes in the bushing flange located on the outside of the assembly and into threaded holes in the mating part.

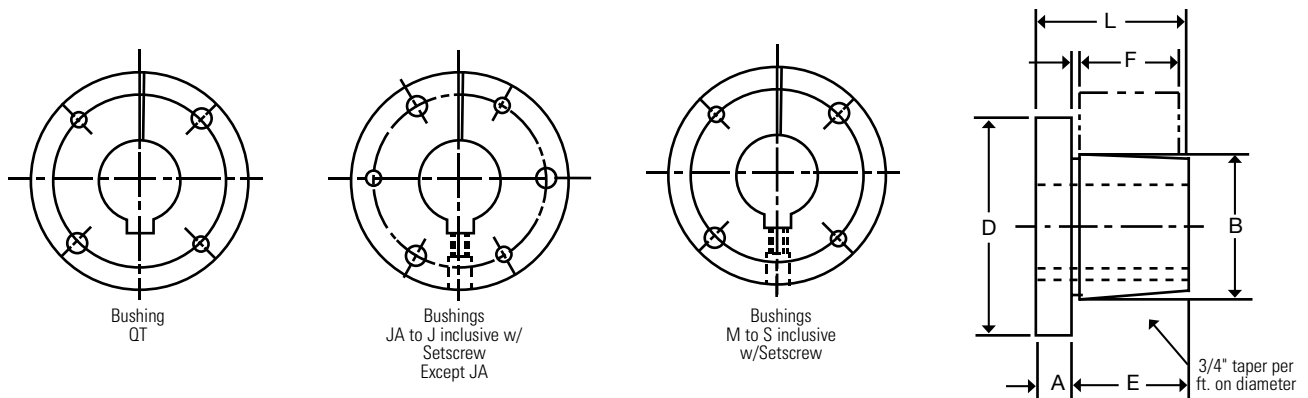


**DISTRIBUIDOR AUTORIZADO** MEX (55) 53 63 23 31 MTY (81) 83 54 10 18  
QRO (442) 1 95 72 60 ventas@industrialmagza.com



## Dimensions

Sure-Grip bushings are designed to transmit the rated torque capacity listed in the table below when the cap screws are tightened as indicated. The bushings are stocked in all popular bore sizes, including metric bores, within the bore range for a particular bushing.



### SURE-GRIP BUSHING TORQUE RATINGS AND DIMENSIONS

Bush.	Torque Capacity (In.-Lbs.)	(Note 1) Max. Bore	(Note 2) Max. Bore	DIMENSIONS IN INCHES						Bolt Circle	Cap Screws Required
				A	B	D	E	F*	L		
QT	1,750	1-1/2	30	1/4	1.625	2-1/2	1	7/8	1-1/4	2	2-1/4 x 1
JA	1,750	1-1/4	23	5/16	1.375	2	11/16	9/16	1	1-21/32	3 - #10 x 1
SH	3,500	1-5/8	36	3/8	1.871	2-11/16	7/8	13/16	1-1/4	2-1/4	3-1/4 x 1-3/8
SDS	5,000	1-15/16	42	7/16	2.1875	3-3/16	7/8	3/4	1-5/16	2-11/16	3-1/4 x 1-3/8
SD	5,000	1-15/16	42	7/16	2.1875	3-3/16	1-3/8	1-1/4	1-13/16	2-11/16	3-1/4 x 1-7/8
SK	7,000	2-1/2	56	1/2	2.8125	3-7/8	1-3/8	1-1/4	1-7/8	3-5/16	3-5/16 x 2
SF	11,000	2-15/16	63	1/2	3.125	4-5/8	1-1/2	1-1/4	2	3-7/8	3-3/8 x 2
E	20,000	3-1/2	78	3/4	3.834	6	1-7/8	1-5/8	2-5/8	5	3-1/2 x 2-3/4
F	40,000	3-15/16	90	13/16	4.4375	6-5/8	2-13/16	2-1/2	3-5/8	5-5/8	3-9/16 x 3-5/8
J	55,000	4-1/2	105	1	5.1484	7-1/4	3-1/2	3-3/16	4-1/2	6-1/4	3-5/8 x 4-1/2
M	125,000	5-1/2	130	1-1/4	6.500	9-1/8	5-1/2	5-3/16	6-3/4	7-7/8	4-3/4 x 6-3/4
N	150,000	6	140	1-1/2	7.000	10	6-5/8	6-1/4	8-1/8	8-1/2	4-7/8 x 8
P	250,000	7	160	1-3/4	8.250	11-3/4	7-5/8	7-1/4	9-3/8	10	4 - 1 x 9-1/2
W	375,000	8-1/2	200	2	10.437	15	9-3/8	9	11-3/8	12-3/4	4 - 1-1/8 x 11-1/2
S	625,000	10	240	3-1/4	12.125	17-3/4	12-1/2	12	15-3/4	15	5 - 1-1/4 x 15-1/2

\* Mating hub length.

1. MAX INCH BORE WITH KEYSEAT.

2. MAX MM BORE WITH STANDARD KEYSEAT.

See pages A1-4 to A1-8 for



DISTRIBUIDOR MEX (55) 53 63 23 31 MTY (81) 83 54 10 18  
 AUTORIZADO QRO (442) 1 95 72 60 ventas@industrialmagza.com



# SURE-GRIP® BUSHINGS

## Bore and Key Seat Dimensions

Sure-Grip Bushings are available from stock with all the bores and keyseats listed below. In some cases, as the bore increases in diameter, a shallow keyseat is provided—due to insufficient metal thickness. When this happens, Wood's furnishes the correct rectangular key to suit at no charge. This does not affect the bushing's ability to transmit the load. The rectangular key, or flat key as some call it, fits into the standard keyway in the shaft.

### DIMENSIONS (In Inches)

Product No.	Bore	Key Seat	Wt. (*)
<b>QT BUSHINGS</b>			
QTMPB	7/16	No KS	.6
QT12	1/2	1/8 x 1/16	.6
QT9/16	9/16	1/8 x 1/16	.6
QT58	5/8	3/16 x 3/32	.6
QT11/16	11/16	3/16 x 3/32	.6
QT34	3/4	3/16 x 3/32	.6
QT13/16	13/16	3/16 x 3/32	.6
QT78	7/8	3/16 x 3/32	.6
QT15/16	15/16	1/4 x 1/8	.6
QT1	1	1/4 x 1/8	.6
QT1116	1-1/16	1/4 x 1/8	.6
QT118	1-1/8	1/4 x 1/8	.6
QT1316	1-3/16	1/4 x 1/8	.6
QT114	1-1/4	1/4 x 1/8	.6
QT1516	1-5/16	5/16 x 1/16	.6
QT138	1-3/8	5/16 x 1/16	.6
QT1716	1-7/16	3/8 x 1/16	.6
QT112	1-1/2	3/8 x 1/16	.6
<b>JA BUSHINGS</b>			
JAMPB	1/2	No KS	.8
JA12	1/2	1/8 x 1/16	.8
JA9/16	9/16	1/8 x 1/16	.8
JA58	5/8	3/16 x 3/32	.8
JA11/16	11/16	3/16 x 3/32	.8
JA34	3/4	3/16 x 3/32	.8
JA13/16	13/16	3/16 x 3/32	.8
JA78	7/8	3/16 x 3/32	.8
JA15/16	15/16	1/4 x 1/8	.8
JA1	1	1/4 x 1/8	.8
JA1116	1-1/16	1/4 x 1/16	.8
JA118	1-1/8	1/4 x 1/16	.8
JA1316	1-3/16	1/4 x 1/16	.8
JA114	1-1/4	1/4 x 1/32	.8
<b>SH BUSHINGS</b>			
SHMPB	7/16	No KS	1.1
SH12	1/2	1/8 x 1/16	1.1
SH9/16	9/16	1/8 x 1/16	1.1
SH58	5/8	3/16 x 3/32	1.1
SH11/16	11/16	3/16 x 3/32	1.0
SH34	3/4	3/16 x 3/32	1.0
SH13/16	13/16	3/16 x 3/32	1.0
SH78	7/8	3/16 x 3/32	1.0
SH15/16	15/16	1/4 x 1/8	1.0
SH1	1	1/4 x 1/8	.9

Product No.	Bore	Key Seat	Wt. (*)
<b>SH BUSHINGS (continued)</b>			
SH1116	1-1/16	1/4 x 1/8	.9
SH118	1-1/8	1/4 x 1/8	.9
SH1316	1-3/16	1/4 x 1/8	.8
SH114	1-1/4	1/4 x 1/8	.8
SH1516	1-5/16	5/16 x 5/32	.7
SH138	1-3/8	5/16 x 5/32	.7
SH1716	1-7/16	3/8 x 1/16	.7
SH112	1-1/2	3/8 x 1/16	.6
SH1916	1-9/16	3/8 x 1/16	.6
SH158	1-5/8	3/8 x 1/16	.5
SH11116	1-11/16	No KS	.5
<b>SDS BUSHINGS</b>			
SDSMPB	7/16	No KS	1.7
SDS12	1/2	1/8 x 1/16	1.7
SDS9/16	9/16	1/8 x 1/16	1.7
SDS58	5/8	3/16 x 3/32	1.6
SDS11/16	11/16	3/16 x 3/32	1.6
SDS34	3/4	3/16 x 3/32	1.6
SDS13/16	13/16	3/16 x 3/32	1.6
SDS78	7/8	3/16 x 3/32	1.5
SDS15/16	15/16	1/4 x 1/8	1.5
SDS1	1	1/4 x 1/8	1.5
SDS1116	1-1/16	1/4 x 1/8	1.4
SDS118	1-1/8	1/4 x 1/8	1.4
SDS1316	1-3/16	1/4 x 1/8	1.4
SDS114	1-1/4	1/4 x 1/8	1.3
SDS1516	1-5/16	5/16 x 5/32	1.3
SDS138	1-3/8	5/16 x 5/32	1.2
SDS13838KS	1-3/8	3/8 x 3/16	1.2
SDS1716	1-7/16	3/8 x 3/16	1.2
SDS112	1-1/2	3/8 x 3/16	1.1
SDS1916	1-9/16	3/8 x 3/16	1.1
SDS158	1-5/8	3/8 x 3/16	1.0
SDS11116	1-11/16	3/8 x 3/16	1.0
SDS134	1-3/4	3/8 x 1/8	1.0
SDS11316	1-13/16	1/2 x 1/8	.9
SDS178	1-7/8	1/2 x 1/16	.9
SDS11516	1-15/16	1/2 x 1/16	.8
SDS2	2	No KS	.7
<b>SD BUSHINGS</b>			
SDMPB	7/16	No KS	2.1
SD12	1/2	1/8 x 1/16	2.1
SD9/16	9/16	1/8 x 1/16	2.1
SD58	5/8	3/16 x 3/32	2.1
SD11/16	11/16	3/16 x 3/32	2.0

Product No.	Bore	Key Seat	Wt. (*)
<b>SD BUSHINGS (continued)</b>			
SD34	3/4	3/16 x 3/32	2.0
SD13/16	13/16	3/16 x 3/32	2.0
SD78	7/8	3/16 x 3/32	1.9
SD15/16	15/16	1/4 x 1/8	1.9
SD1	1	1/4 x 1/8	1.8
SD1116	1-1/16	1/4 x 1/8	1.8
SD118	1-1/8	1/4 x 1/8	1.7
SD1316	1-3/16	1/4 x 1/8	1.7
SD114	1-1/4	1/4 x 1/8	1.6
SD1516	1-5/16	5/16 x 5/32	1.6
SD138	1-3/8	5/16 x 5/32	1.5
SD13838KS	1-3/8	3/8 x 3/16	1.5
SD1716	1-7/16	3/8 x 3/16	1.4
SD112	1-1/2	3/8 x 3/16	1.4
SD1916	1-9/16	3/8 x 3/16	1.3
SD158	1-5/8	3/8 x 3/16	1.2
SD11116	1-11/16	3/8 x 3/16	1.2
SD134	1-3/4	3/8 x 1/8	1.1
SD11316	1-13/16	1/2 x 1/8	1.1
SD178	1-7/8	1/2 x 1/16	1.0
SD11516	1-15/16	1/2 x 1/16	.9
SD2	2	No KS	.8
<b>SK BUSHINGS</b>			
SKMPB	7/16	No KS	3.6
SK12	1/2	1/8 x 1/16	3.6
SK9/16	9/16	1/8 x 1/16	3.6
SK58	5/8	3/16 x 3/32	3.6
SK11/16	11/16	3/16 x 3/32	3.5
SK34	3/4	3/16 x 3/32	3.5
SK13/16	13/16	3/16 x 3/32	3.5
SK78	7/8	3/16 x 3/32	3.4
SK15/16	15/16	1/4 x 1/8	3.4
SK1	1	1/4 x 1/8	3.3
SK1116	1-1/16	1/4 x 1/8	3.3
SK118	1-1/8	1/4 x 1/8	3.2
SK1316	1-3/16	1/4 x 1/8	3.2
SK114	1-1/4	1/4 x 1/8	3.1
SK1516	1-5/16	5/16 x 5/32	3.1
SK151638KS	1-5/16	3/8 x 3/16	3.1
SK138	1-3/8	5/16 x 5/32	3.0
SK13838KS	1-3/8	3/8 x 3/16	3.0
SK1716	1-7/16	3/8 x 3/16	2.9
SK112	1-1/2	3/8 x 3/16	2.9
SK1916	1-9/16	3/8 x 3/16	2.8
SK158	1-5/8	3/8 x 3/16	2.7
SK11116	1-11/16	3/8 x 3/16	2.6
SK134	1-3/4	3/8 x 3/16	2.5
SK13412KS	1-3/4	1/2 x 1/4	2.5

\* Approximate weight in lbs.

MPB Bushings are unsplit.



DISTRIBUIDOR  
AUTORIZADO

MEX (55) 53 63 23 31  
QRO (442) 1 95 72 60

MTY (81) 82 54 10 18  
ventas@industrialmagza.com

(Continued—next page)



## Bore and Key Seat Dimensions

### DIMENSIONS (In Inches)

Product No.	Bore	Key Seat	Wt. (*)
<b>SK BUSHINGS (continued)</b>			
SK11316	1-13/16	1/2 x 1/4	2.4
SK178	1-7/8	1/2 x 1/4	2.4
SK11516	1-15/16	1/2 x 1/4	2.3
SK2	2	1/2 x 1/4	2.2
SK2116	2-1/16	1/2 x 1/4	2.1
SK218	2-1/8	1/2 x 1/4	2.0
SK2316	2-3/16	1/2 x 1/8	2.0
SK214	2-1/4	1/2 x 1/8	1.9
SK21458KS	2-1/4	5/8 x 1/8	1.9
SK2516	2-5/16	5/8 x 1/16	1.8
SK238	2-3/8	5/8 x 1/16	1.7
SK2716	2-7/16	5/8 x 1/16	1.6
SK212	2-1/2	5/8 x 1/16	1.5
SK2916	2-9/16	No KS	1.3
SK258	2-5/8	No KS	1.1
<b>SF BUSHINGS</b>			
SFMPB	1/2	No KS	5.1
SF12	1/2	1/8 x 1/16	5.1
SF58	5/8	3/16 x 3/32	5.0
SF34	3/4	3/16 x 3/32	5.0
SF78	7/8	3/16 x 3/32	4.9
SF15/16	15/16	1/4 x 1/8	4.8
SF1	1	1/4 x 1/8	4.8
SF1116	1-1/16	1/4 x 1/8	4.7
SF118	1-1/8	1/4 x 1/8	4.7
SF1316	1-3/16	1/4 x 1/8	4.6
SF114	1-1/4	1/4 x 1/8	4.5
SF1516	1-5/16	5/16 x 5/32	4.5
SF138	1-3/8	5/16 x 5/32	4.4
SF13838KS	1-3/8	3/8 x 3/16	4.4
SF1716	1-7/16	3/8 x 3/16	4.3
SF112	1-1/2	3/8 x 3/16	4.2
SF1916	1-9/16	3/8 x 3/16	4.2
SF158	1-5/8	3/8 x 3/16	4.1
SF11116	1-11/16	3/8 x 3/16	4.0
SF134	1-3/4	3/8 x 3/16	3.9
SF11316	1-13/16	1/2 x 1/4	3.8
SF178	1-7/8	1/2 x 1/4	3.7
SF11516	1-15/16	1/2 x 1/4	3.6
SF2	2	1/2 x 1/4	3.5
SF2116	2-1/16	1/2 x 1/4	3.4
SF218	2-1/8	1/2 x 1/4	3.3
SF2316	2-3/16	1/2 x 1/4	3.2
SF214	2-1/4	1/2 x 1/4	3.1
SF21458KS	2-1/4	5/8 x 5/16	3.1
SF2516	2-5/16	5/8 x 3/16	3.1
SF238	2-3/8	5/8 x 3/16	3.0
SF2716	2-7/16	5/8 x 3/16	2.9
SF212	2-1/2	5/8 x 3/16	2.8
SF2916	2-9/16	5/8 x 1/16	2.6
SF258	2-5/8	5/8 x 1/16	2.5
SF21116	2-11/16	5/8 x 1/16	2.4
SF234	2-3/4	5/8 x 1/16	2.2
SF278	2-7/8	3/4 x 1/16	1.8
SF21516	2-15/16	3/4 x 1/32	1.7

Product No.	Bore	Key Seat	Wt. (*)
<b>E BUSHINGS</b>			
EMPB	7/8	No KS	10.8
E78	7/8	3/16 x 3/32	10.8
E15/16	15/16	1/4 x 1/8	10.8
E1	1	1/4 x 1/8	10.7
E118	1-1/8	1/4 x 1/8	10.6
E1316	1-3/16	1/4 x 1/8	10.5
E114	1-1/4	1/4 x 1/8	10.4
E1516	1-5/16	5/16 x 5/32	10.3
E138	1-3/8	5/16 x 5/32	10.2
E13838KS	1-3/8	3/8 x 3/16	10.2
E1716	1-7/16	3/8 x 3/16	10.1
E112	1-1/2	3/8 x 3/16	10.0
E1916	1-9/16	3/8 x 3/16	9.9
E158	1-5/8	3/8 x 3/16	9.8
E11116	1-11/16	3/8 x 3/16	9.7
E134	1-3/4	3/8 x 3/16	9.6
E11316	1-13/16	1/2 x 1/4	9.4
E178	1-7/8	1/2 x 1/4	9.3
E11516	1-15/16	1/2 x 1/4	9.2
E2	2	1/2 x 1/4	9.0
E2116	2-1/16	1/2 x 1/4	8.9
E218	2-1/8	1/2 x 1/4	8.8
E2316	2-3/16	1/2 x 1/4	8.6
E214	2-1/4	1/2 x 1/4	8.5
E21458KS	2-1/4	5/8 x 5/16	8.5
E2516	2-5/16	5/8 x 5/16	8.3
E238	2-3/8	5/8 x 5/16	8.1
E2716	2-7/16	5/8 x 5/16	8.0
E212	2-1/2	5/8 x 5/16	7.8
E2916	2-9/16	5/8 x 5/16	7.6
E258	2-5/8	5/8 x 5/16	7.5
E21116	2-11/16	5/8 x 5/16	7.3
E234	2-3/4	5/8 x 5/16	7.1
E21316	2-13/16	3/4 x 3/8	7.2
E278	2-7/8	3/4 x 3/8	7.1
E21516	2-15/16	3/4 x 1/8	6.9
E3	3	3/4 x 1/8	6.7
E318	3-1/8	3/4 x 1/8	6.3
E3316	3-3/16	3/4 x 1/8	6.0
E314	3-1/4	3/4 x 1/8	5.8
E3516	3-5/16	7/8 x 1/16	5.7
E338	3-3/8	7/8 x 1/16	5.5
E3716	3-7/16	7/8 x 1/16	5.2
E312	3-1/2	7/8 x 1/16	4.7
<b>F BUSHINGS</b>			
FMPB	1	No KS	17.9
F1	1	1/4 x 1/8	17.9
F118	1-1/8	1/4 x 1/8	17.7
F1316	1-3/16	1/4 x 1/8	17.6
F114	1-1/4	1/4 x 1/8	17.5
F138	1-3/8	5/16 x 5/32	17.2
F1716	1-7/16	3/8 x 3/16	17.1
F112	1-1/2	3/8 x 3/16	16.9
F1916	1-9/16	3/8 x 3/16	16.8
F158	1-5/8	3/8 x 3/16	16.7

Product No.	Bore	Key Seat	Wt. (*)
<b>F BUSHING (continued)</b>			
F134	1-3/4	3/8 x 3/16	16.3
F178	1-7/8	1/2 x 1/4	16.0
F11516	1-15/16	1/2 x 1/4	15.8
F2	2	1/2 x 1/4	15.6
F2116	2-1/16	1/2 x 1/4	15.4
F218	2-1/8	1/2 x 1/4	15.2
F2316	2-3/16	1/2 x 1/4	15.0
F214	2-1/4	1/2 x 1/4	14.8
F21458KS	2-1/4	5/8 x 5/16	14.8
F2516	2-5/16	5/8 x 5/16	14.5
F238	2-3/8	5/8 x 5/16	14.3
F2716	2-7/16	5/8 x 5/16	14.1
F212	2-1/2	5/8 x 5/16	13.9
F2916	2-9/16	5/8 x 5/16	13.7
F258	2-5/8	5/8 x 5/16	13.4
F21116	2-11/16	5/8 x 5/16	13.2
F234	2-3/4	5/8 x 5/16	12.9
F21316	2-13/16	3/4 x 3/8	12.6
F278	2-7/8	3/4 x 3/8	12.3
F21516	2-15/16	3/4 x 3/8	12.1
F3	3	3/4 x 3/8	11.8
F318	3-1/8	3/4 x 3/8	11.2
F3316	3-3/16	3/4 x 3/8	10.9
F314	3-1/4	3/4 x 3/8	10.6
F3516	3-5/16	7/8 x 3/16	11.0
F338	3-3/8	7/8 x 3/16	10.6
F3716	3-7/16	7/8 x 3/16	10.3
F312	3-1/2	7/8 x 3/16	10.0
F358	3-5/8	7/8 x 3/16	9.4
F31116	3-11/16	7/8 x 3/16	9.0
F334	3-3/4	7/8 x 3/16	8.7
F378	3-7/8	1 x 1/8	8.1
F31516	3-15/16	1 x 1/8	7.7
F4	4	No KS	6.9
<b>J BUSHINGS</b>			
JMPB	1-7/16	No KS	28.1
J1716	1-7/16	3/8 x 3/16	28.1
J112	1-1/2	3/8 x 3/16	28.0
J1916	1-9/16	3/8 x 3/16	27.8
J1116	1-11/16	3/8 x 3/16	27.4
J134	1-3/4	3/8 x 3/16	27.2
J178	1-7/8	1/2 x 1/4	26.7
J11516	1-15/16	1/2 x 1/4	26.5
J2	2	1/2 x 1/4	26.3
J218	2-1/8	1/2 x 1/4	25.8
J2316	2-3/16	1/2 x 1/4	25.6
J214	2-1/4	1/2 x 1/4	25.3
J2516	2-5/16	5/8 x 5/16	25.0
J238	2-3/8	5/8 x 5/16	24.7
J2716	2-7/16	5/8 x 5/16	24.5
J212	2-1/2	5/8 x 5/16	24.2
J258	2-5/8	5/8 x 5/16	23.6
J21116	2-11/16	5/8 x 5/16	23.3
J234	2-3/4	5/8 x 5/16	23.0
J278	2-7/8	3/4 x 3/8	22.2

Approximate weight in lbs.

MPB Bushings are



DISTRIBUIDOR AUTORIZADO MEX (55) 53 63 23 31 QRO (442) 1 95 72 60 MTY (81) 83 54 10 18 ventas@industrialmagza.com

(Continued—next page)

## Bore And Key Seat Dimensions

### DIMENSIONS (In Inches)

Product No.	Bore	Key Seat	Wt. (*)
<b>J BUSHINGS (continued)</b>			
J21516	2-15/16	3/4 x 3/8	21.9
J3	3	3/4 x 3/8	21.6
J318	3-1/8	3/4 x 3/8	20.9
J3316	3-3/16	3/4 x 3/8	20.5
J314	3-1/4	3/4 x 3/8	20.1
J3516	3-5/16	7/8 x 7/16	19.6
J338	3-3/8	7/8 x 7/16	19.3
J3716	3-7/16	7/8 x 7/16	18.9
J312	3-1/2	7/8 x 7/16	18.5
J358	3-5/8	7/8 x 7/16	17.7
J31116	3-11/16	7/8 x 7/16	17.2
J334	3-3/4	7/8 x 7/16	16.8
J31316	3-13/16	1 x 1/2	17.4
J378	3-7/8	1 x 3/8	17.0
J31516	3-15/16	1 x 3/8	16.5
J4	4	1 x 1/8	16.1
J418	4-1/8	1 x 1/8	15.2
J4316	4-3/16	1 x 1/8	14.7
J414	4-1/4	1 x 1/8	14.2
J438	4-3/8	1 x 1/8	13.2
J4716	4-7/16	1 x 1/8	12.7
J412	4-1/2	1 x 1/8	12.2
<b>M BUSHINGS</b>			
M11516	1-15/16	1/2 x 1/4	63.7
M2	2	1/2 x 1/4	63.3
M2316	2-3/16	1/2 x 1/4	62.3
M214	2-1/4	1/2 x 1/4	61.9
M238	2-3/8	5/8 x 5/16	61.0
M2716	2-7/16	5/8 x 5/16	60.6
M212	2-1/2	5/8 x 5/16	60.1
M258	2-5/8	5/8 x 5/16	59.3
M21116	2-11/16	5/8 x 5/16	58.8
M234	2-3/4	5/8 x 5/16	58.3
M278	2-7/8	3/4 x 3/8	57.2
M21516	2-15/16	3/4 x 3/8	56.7
M3	3	3/4 x 3/8	56.2
M318	3-1/8	3/4 x 3/8	55.2
M3316	3-3/16	3/4 x 3/8	54.6
M314	3-1/4	3/4 x 3/8	54.1
M338	3-3/8	7/8 x 7/16	52.8
M3716	3-7/16	7/8 x 7/16	52.2
M312	3-1/2	7/8 x 7/16	51.6
M358	3-5/8	7/8 x 7/16	50.4
M31116	3-11/16	7/8 x 7/16	49.7
M334	3-3/4	7/8 x 7/16	49.1
M378	3-7/8	1 x 1/2	47.6
M31516	3-15/16	1 x 1/2	46.9
M4	4	1 x 1/2	46.2
M418	4-1/8	1 x 1/2	44.8
M4316	4-3/16	1 x 1/2	44.1
M414	4-1/4	1 x 1/2	43.4
M438	4-3/8	1 x 1/2	41.9
M4716	4-7/16	1 x 1/2	41.2

Product No.	Bore	Key Seat	Wt. (*)
<b>M BUSHINGS (continued)</b>			
M412	4-1/2	1 x 1/2	40.4
M41116	4-11/16	1-1/4 x 5/8	37.5
M434	4-3/4	1-1/4 x 5/8	36.7
M478	4-7/8	1-1/4 x 1/4	37.8
M41516	4-15/16	1-1/4 x 1/4	37.0
M5	5	1-1/4 x 1/4	36.1
M5316	5-3/16	1-1/4 x 1/4	33.5
M514	5-1/4	1-1/4 x 1/4	32.6
M5716	5-7/16	1-1/4 x 1/4	29.9
M512	5-1/2	1-1/4 x 1/4	28.9
<b>N BUSHINGS</b>			
N21516	2-15/16	3/4 x 3/8	84.1
N3	3	3/4 x 3/8	83.5
N338	3-3/8	7/8 x 7/16	79.3
N3716	3-7/16	7/8 x 7/16	78.6
N312	3-1/2	7/8 x 7/16	77.9
N358	3-5/8	7/8 x 7/16	76.4
N334	3-3/4	7/8 x 7/16	74.9
N378	3-7/8	1 x 1/2	73.1
N31516	3-15/16	1 x 1/2	72.3
N4	4	1 x 1/2	71.5
N4316	4-3/16	1 x 1/2	68.9
N414	4-1/4	1 x 1/2	68.1
N438	4-3/8	1 x 1/2	66.3
N4716	4-7/16	1 x 1/2	65.4
N412	4-1/2	1 x 1/2	64.5
N458	4-5/8	1-1/4 x 5/8	62.0
N434	4-3/4	1-1/4 x 5/8	60.0
N478	4-7/8	1-1/4 x 5/8	58.1
N41516	4-15/16	1-1/4 x 5/8	57.0
N5	5	1-1/4 x 5/8	56.0
N5316	5-3/16	1-1/4 x 1/4	56.1
N5716	5-7/16	1-1/4 x 1/4	51.7
N512	5-1/2	1-1/4 x 1/4	50.6
N578	5-7/8	1-1/2 x 1/4	44.3
N51516	5-15/16	1-1/2 x 1/8	43.9
<b>P BUSHINGS</b>			
P21516	2-15/16	3/4 x 3/8	141.2
P314	3-1/4	3/4 x 3/8	137.6
P3716	3-7/16	7/8 x 7/16	134.9
P312	3-1/2	7/8 x 7/16	134.1
P358	3-5/8	7/8 x 7/16	132.4
P334	3-3/4	7/8 x 7/16	130.6
P378	3-7/8	1 x 1/2	128.5
P31516	3-15/16	1 x 1/2	127.6
P4	4	1 x 1/2	126.7
P414	4-1/4	1 x 1/2	122.7
P438	4-3/8	1 x 1/2	120.7
P4716	4-7/16	1 x 1/2	119.6
P412	4-1/2	1 x 1/2	118.6
P458	4-5/8	1-1/4 x 5/8	115.7
P41116	4-11/16	1-1/4 x 5/8	114.6

Product No.	Bore	Key Seat	Wt. (*)
<b>P BUSHINGS (continued)</b>			
P434	4-3/4	1-1/4 x 5/8	113.5
P478	4-7/8	1-1/4 x 5/8	111.2
P41516	4-15/16	1-1/4 x 5/8	110.0
P5	5	1-1/4 x 5/8	108.8
P5316	5-3/16	1-1/4 x 5/8	105.2
P514	5-1/4	1-1/4 x 5/8	103.9
P5516	5-5/16	1-1/4 x 5/8	102.7
P538	5-3/8	1-1/4 x 5/8	101.4
P5716	5-7/16	1-1/4 x 5/8	100.1
P512	5-1/2	1-1/4 x 5/8	98.8
P534	5-3/4	1-1/2 x 3/4	98.1
P578	5-7/8	1-1/2 x 3/4	95.3
P51516	5-15/16	1-1/2 x 3/4	93.9
P6	6	1-1/2 x 1/4	92.5
P6116	6-1/16	1-1/2 x 1/4	91.0
P614	6-1/4	1-1/2 x 1/4	86.6
P6716	6-7/16	1-1/2 x 1/4	83.5
P612	6-1/2	1-1/2 x 1/4	80.5
P634	6-3/4	1-3/4 x 1/8	74.7
P7	7	1-3/4 x 1/8	68.1
<b>W BUSHINGS</b>			
W414MPB	4-1/4	-	247.0
W478MPB	4-7/8	-	234.0
W514MPB	5-1/4	-	225.0
W578MPB	5-7/8	-	209.0
W612MPB	6-1/2	-	191.0
W714MPB	7-1/4	-	167.0
W734	7-3/4	2 x 1/4	150.0
W812	8-1/2	2 x 1/4	120.0
<b>S BUSHINGS</b>			
S6MPB	6	-	445.0
S8MPB	8	-	356.0
S9MPB	9	-	301.0

MPB bushings are unsplit.

\* Approximate weight in lbs.



DISTRIBUIDOR  
AUTORIZADO

MEX (55) 53 63 23 31 MTY (81) 83 54 10 18  
QRO (442) 1 95 72 60 ventas@industrialmagza.com





# Sure-Grip® Bushings With Metric Bore and Keyseat

## Bore And Key Seat Dimensions

### DIMENSIONS (In mm)

Product No.	Bore (mm)	Key ■	Wt. (*)
<b>QT BUSHINGS</b>			
QT14MM	14	5 x 5	.6
QT15MM	15	5 x 5	.6
QT16MM	16	5 x 5	.6
QT18MM	18	6 x 6	.6
QT19MM	19	6 x 6	.6
QT20MM	20	6 x 6	.6
QT22MM	22	6 x 6	.6
QT24MM	24	8 x 7	.6
QT25MM	25	8 x 7	.6
QT28MM	28	8 x 7	.6
QT30MM	30	8 x 7	.6
QT32MM	32	10 x 6†	.6
QT35MM	35	10 x 6†	.6
QT38MM	38	10 x 6†	.6
<b>JA BUSHINGS</b>			
JA15MM	15	5 x 5	.8
JA16MM	16	5 x 5	.8
JA19MM	19	6 x 6	.8
JA20MM	20	6 x 6	.8
JA24MM	24	8 x 6†	.8
JA25MM	25	8 x 6†	.8
JA28MM	28	8 x 5†	.8
<b>SH BUSHINGS</b>			
SH24MM	24	8 x 7	.9
SH25MM	25	8 x 7	.9
SH28MM	28	8 x 7	.9
SH30MM	30	8 x 7	.8
SH32MM	32	10 x 8	.8
SH35MM	35	10 x 8	.7
<b>SDS BUSHINGS</b>			
SDS24MM	24	8 x 7	1.5
SDS25MM	25	8 x 7	1.5
SDS28MM	28	8 x 7	1.4
SDS30MM	30	8 x 7	1.4
SDS32MM	32	10 x 8	1.3
SDS35MM	35	10 x 8	1.2
SDS38MM	38	10 x 8	1.1
SDS40MM	40	12 x 8	1.1
SDS42MM	42	12 x 8	1.0
<b>SD BUSHINGS</b>			
SD24MM	24	8 x 7	1.8
SD25MM	25	8 x 7	1.8
SD28MM	28	8 x 7	1.7
SD30MM	30	8 x 7	1.7
SD32MM	32	10 x 8	1.6
SD35MM	35	10 x 8	1.5
SD38MM	38	10 x 8	1.4
SD40MM	40	12 x 8	1.3
SD42MM	42	12 x 8	1.2

Product No.	Bore (mm)	Key ■	Wt. (*)
<b>SK BUSHINGS</b>			
SK24MM	24	8 x 7	3.3
SK25MM	25	8 x 7	3.3
SK28MM	28	8 x 7	3.2
SK30MM	30	8 x 7	3.2
SK32MM	32	10 x 8	3.1
SK35MM	35	10 x 8	3.0
SK38MM	38	10 x 8	2.9
SK40MM	40	12 x 8	3.6
SK42MM	42	12 x 8	2.7
SK45MM	45	14 x 9	2.6
SK48MM	48	14 x 9	2.4
SK50MM	50	14 x 9	2.3
SK55MM	55	16 x 10	2.0
<b>SF BUSHINGS</b>			
SF28MM	28	8 x 7	4.7
SF30MM	30	8 x 7	4.6
SF32MM	32	10 x 8	4.5
SF35MM	35	10 x 8	4.4
SF38MM	38	10 x 8	4.2
SF40MM	40	12 x 8	4.2
SF42MM	42	12 x 8	4.1
SF45MM	45	14 x 9	3.9
SF48MM	48	14 x 9	3.7
SF50MM	50	14 x 9	3.6
SF55MM	55	16 x 10	3.2
SF60MM	60	18 x 11	3.0
SF65MM	65	18 x 8 †	2.6
<b>E BUSHINGS</b>			
E35MM	35	10 x 8	10.2
E38MM	38	10 x 8	10.0
E40MM	40	12 x 8	9.9
E42MM	42	12 x 8	9.8
E45MM	45	14 x 9	9.6
E48MM	48	14 x 9	9.3
E50MM	50	14 x 9	9.2
E55MM	55	16 x 10	8.6
E60MM	60	18 x 11	8.1
E65MM	65	18 x 11	7.6
E70MM	70	20 x 12	7.1
E75MM	75	20 x 12	6.9
E80MM	80	22 x 11†	6.3

Product No.	Bore (mm)	Key ■	Wt. (*)
<b>F BUSHINGS</b>			
F45MM	45	14 x 9	16.2
F48MM	48	14 x 9	16.0
F50MM	50	14 x 9	15.8
F55MM	55	16 x 10	15.0
F60MM	60	18 x 11	14.3
F65MM	65	18 x 11	13.7
F70MM	70	20 x 12	12.9
F75MM	75	20 x 12	12.1
F80MM	80	22 x 14	11.2
F85MM	85	22 x 14	10.6
F90MM	90	25 x 14	9.7
<b>J BUSHINGS</b>			
J50MM	50	14 x 9	26.5
J55MM	55	16 x 10	25.6
J60MM	60	18 x 11	24.7
J65MM	65	18 x 11	23.9
J70MM	70	20 x 12	23.0
J75MM	75	20 x 12	21.9
J80MM	80	22 x 14	20.9
J85MM	85	22 x 14	19.3
J90MM	90	25 x 14	18.1
J95MM	95	25 x 14	16.8
J100MM	100	28 x 16	16.5
<b>M BUSHINGS</b>			
M80MM	80	22 x 14	55.0
M90MM	90	25 x 14	51.2
M100MM	100	28 x 16	46.9
M120MM	120	32 x 18	37.0
<b>N BUSHINGS</b>			
N100MM	100	28 x 16	72.3
N120MM	120	32 x 18	60.2
<b>P BUSHINGS</b>			
P150MM	150	36 x 20	95.8

Approximate weight in lbs.

■ The metric system does not refer to keyseat or keyway dimensions as does the English system; instead, dimensions are given for the key itself, which is rectangular in shape and not square as in the English system. This meets ISO standards.

† SHALLOW KEY FURNISHED



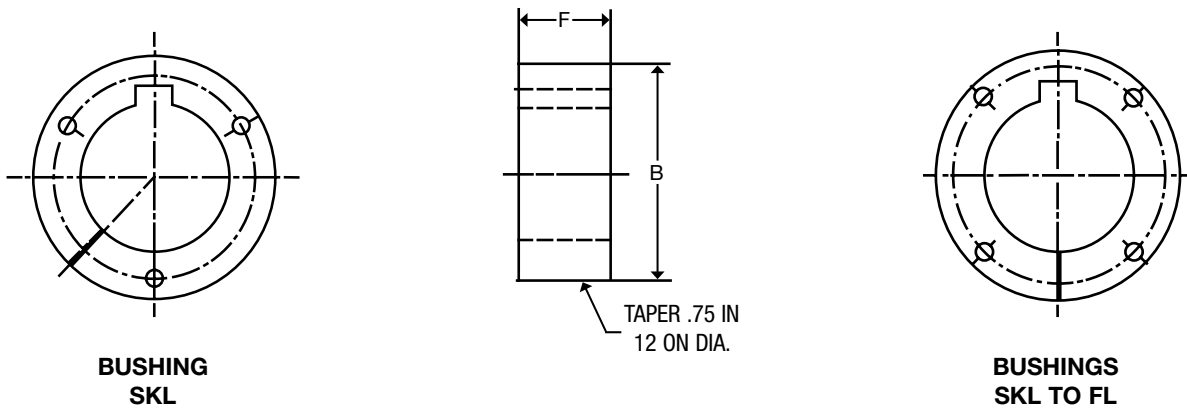
**DISTRIBUIDOR  
AUTORIZADO**

MEX (55) 53 63 23 31 MTY (81) 83 54 10 18  
QRO (442) 1 95 72 60 ventas@industrialmagza.com



# SAE Sure-Grip® L Series Flangeless Bushings

Bush.	Torque Capacity (In.-Lbs.)	Type Material	Max. Bore (In.)	Max. Bore (In.)	DIMENSIONS IN INCHES		Bolt Circle	Cap Screws Required
					B	F		
SKL	7,000	D.I.	1-15/16	50	2.8125	1-1/8	2-3/8	3-1/4 x 1-3/4
SFL	11,000	D.I.	2-3/8	60	3.1250	1-1/8	2-3/4	4-1/4 x 1-3/4
EL	20,000	D.I.	2-7/8	73	3.8340	1-1/2	3-3/8	4-5/16 x 1-3/4
FL	45,000	D.I.	3-1/8	80	4.4375	2-3/8	3-3/4	4-3/8 x 2



Patent No. 5304101

## To Install:

### IMPORTANT: DO NOT USE LUBRICANTS IN THIS INSTALLATION

1. Inspect shafts, bushing, and mating hub. Remove all nicks, paint, dirt, grease, etc. from mating surfaces.
2. Place key in shaft's keyseat.
3. Slide bushing onto shaft and key. **Small End of Taper Must Be Outboard.**
4. Slide tapered mating hub over bushing. Align (1) the shaft key with one of the slots in the mating hub and (2) the drilled holes in mating hub with the threaded holes in the bushing.
5. Put lockwashers on cap screws and insert one cap screw thru each drilled hole in the mating hub and into the threaded hole in the bushing.
6. **Use a Torque Wrench.** Tighten all cap screws evenly and progressively in rotation. Torque around all the cap screws as often as necessary until the listed torque value remains on each cap screw.

Bushing	Torque (Ft.-Lbs.)
SKL	15
SFL	15
EL	30
FL	55

### CAUTION

The use of lubricants or excessive wrench torques may cause hub stresses high enough to break the mating hub!

## To Remove:

1. Loosen and remove all cap screws from assembly.
2. Install one cap screw in each threaded hole in the mating hub to force the bushing off the shaft.
3. Evenly torque each cap screw in rotation to force the mating hub off the bushing.



DISTRIBUIDOR  
AUTORIZADO

MEX (55) 53 63 23 31 MTY (81) 83 54 10 18  
QRO (442) 1 95 72 60 ventas@industrialmagza.com



# SAE Sure-Grip® L Series Flangeless Bushings

## Bore And Keyseat Dimensions

### DIMENSIONS (In Inches)

Product No.	Bore	Key Seat	Wt. (*)
<b>SKL BUSHINGS</b>			
SKLMPB	1/2	MPB*	1.7
SKL12	1/2	1/8 x 1/16	1.7
SKL58	5/8	3/16 x 3/32	1.7
SKL34	3/4	3/16 x 3/32	1.6
SKL78	7/8	3/16 x 3/32	1.6
SKL15/16	15/16	1/4 x 1/8	1.6
SKL1	1	1/4 x 1/8	1.6
SKL118	1-1/8	1/4 x 1/8	1.5
SKL1316	1-3/16	1/4 x 1/8	1.4
SKL114	1-1/4	1/4 x 1/8	1.4
SKL1516	1-5/16	5/16 x 5/32	1.3
SKL138	1-3/8	5/16 x 5/32	1.3
SKL1716	1-7/16	3/8 x 3/16	1.2
SKL112	1-1/2	3/8 x 3/16	1.2
SKL1916	1-9/16	3/8 x 3/16	1.2
SKL158	1-5/8	3/8 x 3/16	1.1
SKL11116	1-11/16	3/8 x 3/16	1.1
SKL134	1-3/4	3/8 x 3/16	1.0
SKL11316	1-13/16	1/2 x 1/4	1.0
SKL178	1-7/8	1/2 x 1/4	.9
SKL11516	1-15/16	1/2 x 1/4	.8
<b>SFL BUSHINGS</b>			
SFLMPB	1/2	MPB*	2.1
SFL12	1/2	1/8 x 1/16	2.1
SFL58	5/8	3/16 x 3/32	2.1
SFL34	3/4	3/16 x 3/32	2.0
SFL78	7/8	3/16 x 3/32	2.0
SFL15/16	15/16	1/4 x 1/8	2.0
SFL1	1	1/4 x 1/8	2.0
SFL118	1-1/8	1/4 x 1/8	1.9
SFL1316	1-3/16	1/4 x 1/8	1.8
SFL114	1-1/4	1/4 x 1/8	1.8
SFL1516	1-5/16	5/16 x 5/32	1.7
SFL138	1-3/8	5/16 x 5/32	1.7
SFL1716	1-7/16	3/8 x 3/16	1.6

Product No.	Bore	Key Seat	Wt. (*)
<b>SFL BUSHINGS</b>			
SFL112	1-1/2	3/8 x 3/16	1.6
SFL1916	1-9/16	3/8 x 3/16	1.5
SFL158	1-5/8	3/8 x 3/16	1.5
SFL11116	1-11/16	3/8 x 3/16	1.4
SFL134	1-3/4	3/8 x 3/16	1.4
SFL11316	1-13/16	1/2 x 1/4	1.4
SFL178	1-7/8	1/2 x 1/4	1.3
SFL11516	1-15/16	1/2 x 1/4	1.3
SFL2	2	1/2 x 1/4	1.2
SFL218	2-1/8	1/2 x 1/4	1.1
SFL2316	2-3/16	1/2 x 1/4	1.0
SFL214	2-1/4	1/2 x 1/4	1.0
SFL2516	2-5/16	5/8 x 5/16	.9
SFL238	2-3/8	5/8 x 5/16	.9
<b>EL BUSHINGS</b>			
ELMPB	7/8	MPB*	4.1
EL78	7/8	3/16 x 3/32	4.1
EL15/16	15/16	1/4 x 1/8	4.0
EL1	1	1/4 x 1/8	3.9
EL118	1-1/8	1/4 x 1/8	3.8
EL1316	1-3/16	1/4 x 1/8	3.8
EL114	1-1/4	1/4 x 1/8	3.7
EL1516	1-5/16	5/16 x 5/32	3.6
EL138	1-3/8	5/16 x 5/32	3.6
EL1716	1-7/16	3/8 x 3/16	3.5
EL112	1-1/2	3/8 x 3/16	3.5
EL1916	1-9/16	3/8 x 3/16	3.4
EL158	1-5/8	3/8 x 3/16	3.4
EL11116	1-11/16	3/8 x 3/16	3.3
EL134	1-3/4	3/8 x 3/16	3.2
EL11316	1-13/16	1/2 x 1/4	3.2
EL178	1-7/8	1/2 x 1/4	3.1
EL11516	1-15/16	1/2 x 1/4	3.0
EL2	2	1/2 x 1/4	3.0
EL218	2-1/8	1/2 x 1/4	2.9
EL2316	2-3/16	1/2 x 1/4	2.8
EL214	2-1/4	1/2 x 1/4	2.7
EL2516	2-5/16	5/8 x 5/16	2.6
EL238	2-3/8	5/8 x 5/16	2.5
EL2716	2-7/16	5/8 x 5/16	2.4

Product No.	Bore	Key Seat	Wt. (*)
<b>EL BUSHINGS</b>			
EL212	2-1/2	5/8 x 5/16	2.3
EL2916	2-9/16	5/8 x 5/16	2.3
EL258	2-5/8	5/8 x 5/16	2.2
EL21116	2-11/16	5/8 x 5/16	2.1
EL234	2-3/4	5/8 x 5/16	2.0
EL21316	2-13/16	3/4 x 3/8	1.9
EL278	2-7/8	3/4 x 3/8	1.8
<b>FL BUSHINGS</b>			
FLMPB	1	MPB*	8.5
FL1	1	1/4 x 1/8	8.5
FL118	1-1/8	1/4 x 1/8	8.3
FL1316	1-3/16	1/4 x 1/8	8.2
FL114	1-1/4	1/4 x 1/8	8.1
FL138	1-3/8	5/16 x 5/32	8.0
FL1716	1-7/16	3/8 x 3/16	7.9
FL112	1-1/2	3/8 x 3/16	7.8
FL1916	1-9/16	3/8 x 3/16	7.6
FL158	1-5/8	3/8 x 3/16	7.5
FL11116	1-11/16	3/8 x 3/16	7.4
FL134	1-3/4	3/8 x 3/16	7.3
FL178	1-7/8	1/2 x 1/4	7.1
FL11516	1-15/16	1/2 x 1/4	7.0
FL2	2	1/2 x 1/4	6.7
FL218	2-1/8	1/2 x 1/4	6.6
FL2316	2-3/16	1/2 x 1/4	6.5
FL214	2-1/4	1/2 x 1/4	6.4
FL2516	2-5/16	5/8 x 5/16	6.3
FL238	2-3/8	5/8 x 5/16	6.2
FL2716	2-7/16	5/8 x 5/16	6.1
FL212	2-1/2	5/8 x 5/16	5.9
FL2916	2-9/16	5/8 x 5/16	5.7
FL258	2-5/8	5/8 x 5/16	5.6
FL21116	2-11/16	5/8 x 5/16	5.4
FL234	2-3/4	5/8 x 5/16	5.3
FL21316	2-13/16	3/4 x 3/8	5.1
FL278	2-7/8	3/4 x 3/8	4.9
FL21516	2-15/16	3/4 x 3/8	4.8
FL3	3	3/4 x 3/8	4.6
FL318	3-1/8	3/4 x 3/8	4.5

\* Approximate weight in lbs.  
MPB bushings are unsplit.



DISTRIBUIDOR  
AUTORIZADO

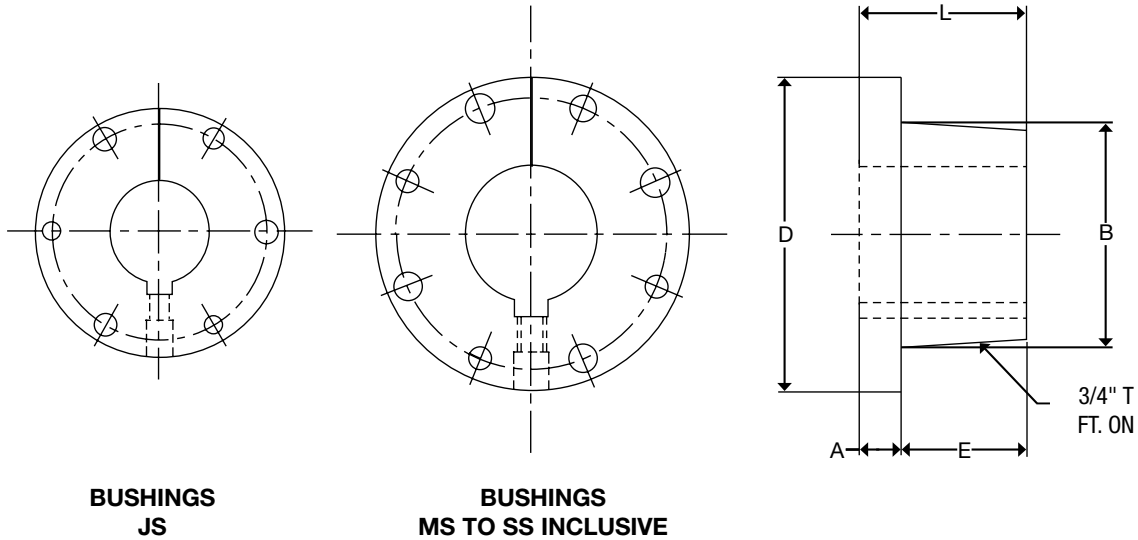
MEX (55) 53 63 23 31 MTY (81) 83 54 10 18  
QRO (442) 1 95 72 60 ventas@industrialmagza.com



# SAE Sure-Grip® Short Bushings

## Dimensions

Sure-Grip bushings are designed to transmit the rated torque capacity listed in the table below when the cap screws are tightened as indicated. The bushings are stocked in all popular bore sizes, including metric bores, within bore range for a particular bushing.



## SURE-GRIP SHORT BUSHING TORQUE RATINGS AND DIMENSIONS

Bush.	Torque Capacity (In.-Lbs.)	Max. Bore	DIMENSIONS IN INCHES					Bolt Circle	Cap Screws Required
			A	B	D	E	L		
<b>JS</b>	35,000	4-1/2	1	5.1484	7-1/4	2-3/8	3-3/8	6-1/4	3-5/8 x 2-1/2
<b>MS</b>	85,000	5-1/2	1-3/16	6.500	9-1/8	3-5/8	4-13/16	7-7/8	4-3/4 x 3
<b>NS</b>	100,000	6	1-1/2	7.000	10	4-1/2	6	8-1/2	4-7/8 x 3-1/2
<b>PS</b>	170,000	7	1-1/2	8.250	11-3/4	5	6-1/2	10	4 - 1 x 4
<b>WS</b>	250,000	8-1/2	1-3/4	10.437	15	5-1/2	7-1/4	12-3/4	4 - 1-1/8 x 5
<b>SS</b>	410,000	10	2	12.125	17-3/4	6-3/4	8-3/4	15	5 - 1-1/4 x 5

Setscrew not standard – Available as alteration.

See page A1-11 for Bore and Keyseat information and weights.



DISTRIBUIDOR  
AUTORIZADO

MEX (55) 53 63 23 31 MTY (81) 83 54 10 18  
QRO (442) 1 95 72 60 ventas@industrialmagza.com



# SAE Sure-Grip® Short Bushings

## Bore and Key Seat Dimensions

### DIMENSIONS (In Inches)

Product No.	Bore	Key Seat	Wt. (*)
<b>JS BUSHINGS</b>			
JS2716	2- 7/16	5/8 X 5/16	20.0
JS21516	2-15/16	3/4 X 3/8	18.1
JS3716	3- 7/16	7/8 X 7/16	15.9
JS31516	3-15/16	1 X 1/4	14.3
JS4716	4- 7/16	1 X 1/8	11.5
<b>MS BUSHINGS</b>			
MS3716	3- 7/16	7/8 X 7/16	41.2
MS31516	3-15/16	1 X 1/2	37.3
MS4716	4- 7/16	1 X 1/2	33.3
MS41516	4-15/16	1-1/4 X 1/4	30.9
MS5716	5- 7/16	1-1/4 X 1/4	25.9
<b>NS BUSHINGS</b>			
NS31516	3-15/16	1 X 1/2	66.3
NS4716	4- 7/16	1 X 1/2	52.5
NS41516	4-15/16	1-1/4 X 5/8	46.5
NS5716	5- 7/16	1-1/4 X 1/4	43.9
NS51516	5-15/16	1-1/2 X 1/8	39.0
NS6	6	1-1/2 X 1/8	38.8

\* Approximate weight in lbs.

Product No.	Bore	Key Seat	Wt. (*)
<b>PS BUSHINGS</b>			
PS41516	4-15/16	1-1/4 X 5/8	88.3
PS5716	5- 7/16	1-1/4 X 5/8	81.3
PS51516	5-15/16	1-1/2 X 3/4	78.4
PS6	6	1-1/2 X 3/4	77.4
PS6716	6- 7/16	1-1/2 X 1/2	70.0
PS612	6- 1/2	1-1/2 X 1/2	69.0
PS61516	6-15/16	1-3/4 X 1/8	61.3
PS7	7	1-3/4 X 1/8	60.4
<b>WS BUSHINGS</b>			
WS5716	5- 7/16	1-1/4 X 5/8	172.3
WS51516	5-15/16	1-1/2 X 3/4	161.1
WS6716	6- 7/16	1-1/2 X 3/4	155.0
WS612	6- 1/2	1-1/2 X 3/4	153.0
WS61516	6-15/16	1-3/4 X 3/4	140.0
WS7	7	1-3/4 X 3/4	139.0
WS712	7- 1/2	1-3/4 X 3/4	137.0
WS71516	7-15/16	2 X 3/4	126.9
WS8	8	2 X 3/4	124.0
WS8716	8- 7/16	2 X 1/4	107.3
WS812	8- 1/2	2 X 1/4	105.0

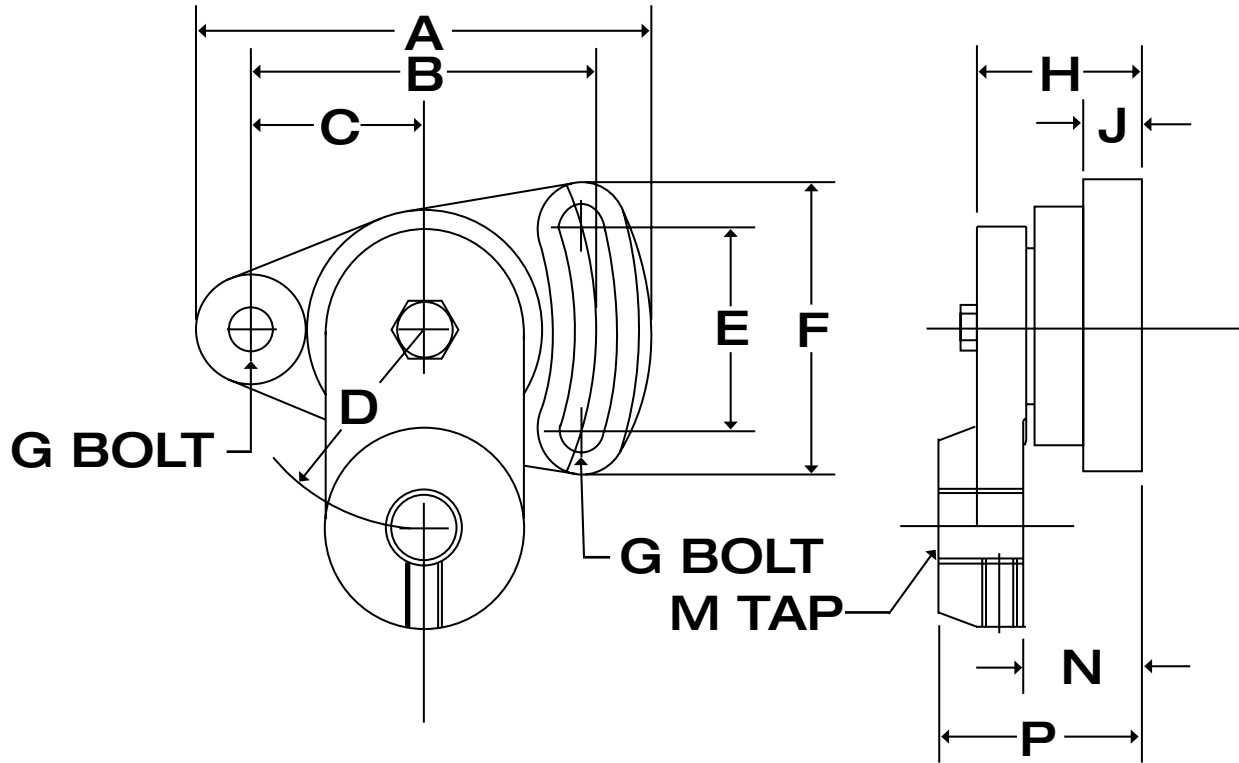


**DISTRIBUIDOR  
AUTORIZADO**

MEX (55) 53 63 23 31 MTY (81) 83 54 10 18  
QRO (442) 1 95 72 60 ventas@industrialmagza.com



# Double Adjustment Tensioner Belt Drive Or Chain Tensioner



Product Number	DIMENSIONS IN INCHES												Weight Lbs.
	A	B	C	D	E	F	G	H	J	M	N	P	
DAM	4.62	3.50	1.75	2.00	2.06	3.06	.375	1.63	.62	3/4-10	1.16	2.01	3.0
DAL	6.94	5.25	2.63	5.00	3.00	4.56	.625	2.38	.88	1"-8	1.68	2.94	9.5

The Double Adjustment tensioner (Type DA) permits a full 360 degree rotation of the idler. A second adjustment is obtained by the long slot in the base. The arm is locked in place with an ingenious use of a tapered fit. Tensioning of a drive should follow the installation guideline for the type of drive in question.



**DISTRIBUIDOR  
AUTORIZADO**

MEX (55) 53 63 23 31 MTY (81) 83 54 10 18  
QRO (442) 1 95 72 60 ventas@industrialmagza.com

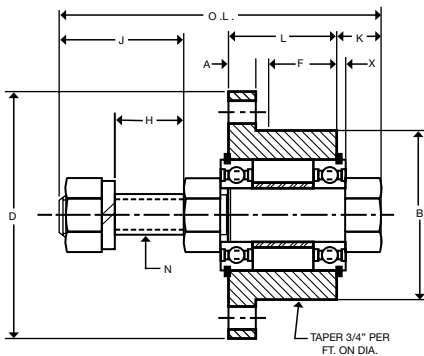


## FOR USE WITH SHEAVES, PULLEYS, SPROCKETS, GEARS OR OTHER PRODUCTS DESIGNED FOR QD-TYPE BUSHINGS



Wood's Sure-Grip Idler Bushings are designed to accommodate stock V-belt sheaves, flat-belt or Timing-belt pulleys, roller or silent chain sprockets, gears or other products that use QD\*-type bushings. They are equipped with two, permanently lubricated, ball-bearing units for long, smooth, trouble-free performance. Installation is made simply by slipping the threaded shaft through a hole bored in the support structure and tightening the locking nut. Sheaves, pulleys or other products can be removed without dismantling the idler bushing. These idler units are available with SH, SD, SK, SF or E Sure-Grip bushings. Wood's Sure-Grip bushings are of the most widely used, tapered, interchangeable type.

\* U.S.T.M. Reg. No. 403,470    Can. T.M. Reg. No. 113,711



Product No.	DIMENSIONS IN INCHES											Wt. (Lbs.)
	A	B	D	F	H	J	K	L	N	O.L.	X	
SHBB	0.38	1.871	2.69	0.75	.53	0.98	0.44	1.25	1/2-13NC	3.13	.12	1.5
SDBB	0.44	2.187	3.19	1.25	.72	1.17	0.44	1.81	1/2-13NC	3.88	.12	2.5
SDBB58	0.44	2.187	3.19	1.25	.57	1.12	0.44	1.81	5/8-11NC	3.88	.12	2.7
SKBB	0.50	2.812	3.88	1.25	.85	1.42	0.62	1.88	3/4-10NC	4.50	.14	4.5
SFBB	0.50	3.125	4.63	1.38	.73	1.29	0.62	2.00	3/4-10NC	4.50	.14	8.0
SFBB1	0.50	3.125	4.63	1.38	1.08	1.91	0.62	2.00	1"-8NC	5.25	.14	8.6
EBB	0.75	3.834	6.00	1.63	1.11	2.30	0.97	2.63	1-3/8-6NC	6.88	.19	12.0

### Equivalent Load Rating (lbs.)

Hours Life	Product No.	Basic Rating	RPM					
			500	1000	2000	3000	4000	5000
1000	SHBB	3320	1068	848	673	588	534	496
	SKBB	4860	1564	1241	985	861	782	726
	SFBB	4860	1564	1241	985	861	782	726
	EBB	10100	3250	2580	2048	1789	1625	1509
	SHBB	3320	848	673	534	467	424	394
2000	SDBB	3320	848	673	534	467	424	394
	SKBB	4860	1241	985	782	683	621	576
	SFBB	4860	1241	985	782	683	621	576
	EBB	10100	2580	2048	1625	1420	1290	1197
	6000	SHBB	3320	588	467	370	324	294
SDBB		3320	588	467	370	324	294	273
SKBB		4860	861	683	542	474	430	400
SFBB		4860	861	683	542	474	430	400
EBB		10100	1789	1420	1127	984	894	830

**Note:** The basic rating is the maximum dynamic radial load which will allow a 90% survival rate when running at 33-1/3 RPM for 500 hours.

$$\text{Equivalent Rating} = \frac{\text{Basic Rating}}{3 \sqrt{\text{Hours} \times 60 \times \text{RPM} / 1,000,000}}$$

$$\text{Hours} = \frac{\text{Basic Rating}^3 \times 1,000,000}{3 \sqrt{\text{Equivalent Rating} \times \text{RPM} \times 60}}$$

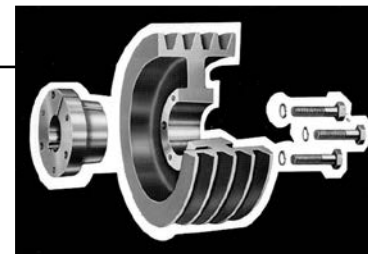


DISTRIBUIDOR  
AUTORIZADO

MEX (55) 53 63 23 31    MTY (81) 83 54 10 18  
QRO (442) 1 95 72 60    ventas@industrialmagza.com



# Sure-Grip® Bushings



## Installation Instructions

The Sure-Grip tapered, QD-type interchangeable bushing offers flexible and easy installation while providing exceptional holding power. To ensure that the bushing performs as specified, it must be installed properly.

Before beginning, make sure the correct size and quantity of parts are available for the installation. The bushing has been manufactured to accept a setscrew over the key and its use is optional. It is packaged with the hardware on sizes SH to M and loosely installed in the bushing on sizes N to S.

### To Install:

### To Remove:

#### IMPORTANT:

#### DO NOT USE LUBRICANTS IN THIS INSTALLATION!

1. Inspect the tapered bore of the sheave and the tapered surface of the bushing. Any paint, dirt, oil, or grease **MUST** be removed.
2. Select the type of mounting (See Fig. 1 or 2) that best suits your application.

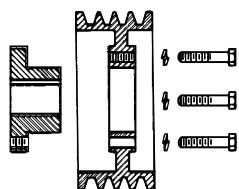


Fig. 1

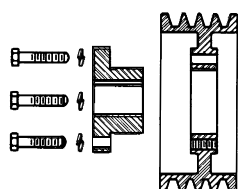


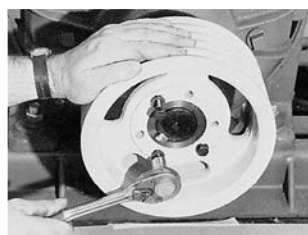
Fig. 2

3. **STANDARD MOUNTING:** Install shaft key. (Note: If key was furnished with bushing, you must use that key.) Install bushing on clean shaft, flange end first. If bushing will not freely slide on the shaft, insert a screwdriver or similar object into the flange sawcut to act as a wedge to open the bushing's bore. **Caution: Excessive wedging will split the bushing.** If using the setscrew, tighten it just enough to prevent the bushing from sliding on the shaft. **Caution: Do not over-tighten setscrew!** Slide sheave into position on bushing aligning the drilled holes in the sheave with the tapped holes in the bushing flange. (Note: Install M thru S bushings so that the two tapped holes in the sheave are located as far away as possible from the bushing's sawcut.) Loosely thread the cap screws with lockwashers into the assembly. **DO NOT USE LUBRICANT ON THE CAP SCREWS!**

4. **REVERSE MOUNTING:** With large end of the taper out, slide sheave onto shaft as far as possible. Install shaft key. (See shaft key note in #3 above.) Install bushing onto shaft so tapered end will mate with sheave. (See wedging note in #3 above.) If using the setscrew, tighten it enough to prevent the bushing from sliding on the shaft. **Caution: Do not over-tighten setscrew!** Pull the sheave up on the bushing, aligning the drilled holes in the bushing flange with the tapped holes in the sheave. Loosely thread the cap screws with lockwashers into the assembly. **DO NOT USE LUBRICANT ON THE CAP SCREWS!**

5. Using a torque wrench, tighten all cap screws evenly and progressively in rotation to the torque value in Table. There must be a gap between the bushing flange and sheave hub when installation is complete. **DO NOT OVER-TORQUE! DO NOT ATTEMPT TO CLOSE GAP BETWEEN BUSHING FLANGE AND SHEAVE HUB!**

1. Relieve drive tension by shortening the center distance between driver and driven sheaves.
2. Lift off belts.
3. Loosen and remove cap screws. If the bushings have keyway setscrews, loosen them.
4. As shown below, insert cap screws (three in JA through J bushings, two in QT and M thru W bushings and four in S bushing) in tapped removal holes and progressively tighten each one until mating part is loose on bushing. (Exception: If mating part is installed with cap screw heads next to motor, with insufficient room to insert screws in tapped holes, loosen cap screws and use wedge between bushing flange and mating part.)
5. Remove mating part from bushing and, if necessary, bushing from shaft.



### SURE-GRIP BUSHINGS SCREW TIGHTENING INFORMATION

Tapered Bushing	Size & Thread of Cap Screw	Ft.-Lbs. To Apply With Torque Wrench
QT	1/4 x 20	9
JA	No. 10 - 24	5
SH-SDS-SD	1/4 - 20	9
SK	5/16 - 18	15
SF	3/8 - 16	30
E	1/2 - 13	60
F	9/16 - 12	110
J	5/8 - 11	135
JS	5/8 - 11	100
M	3/4 - 10	225
MS	3/4 - 10	150
N	7/8 - 9	300
NS	7/8 - 9	200
P	1 - 8	450
PS	1 - 8	300
W	1-1/8 - 7	600
WS	1-1/8 - 7	400
S	1-1/4 - 7	750
SS	1-1/4 - 7	500



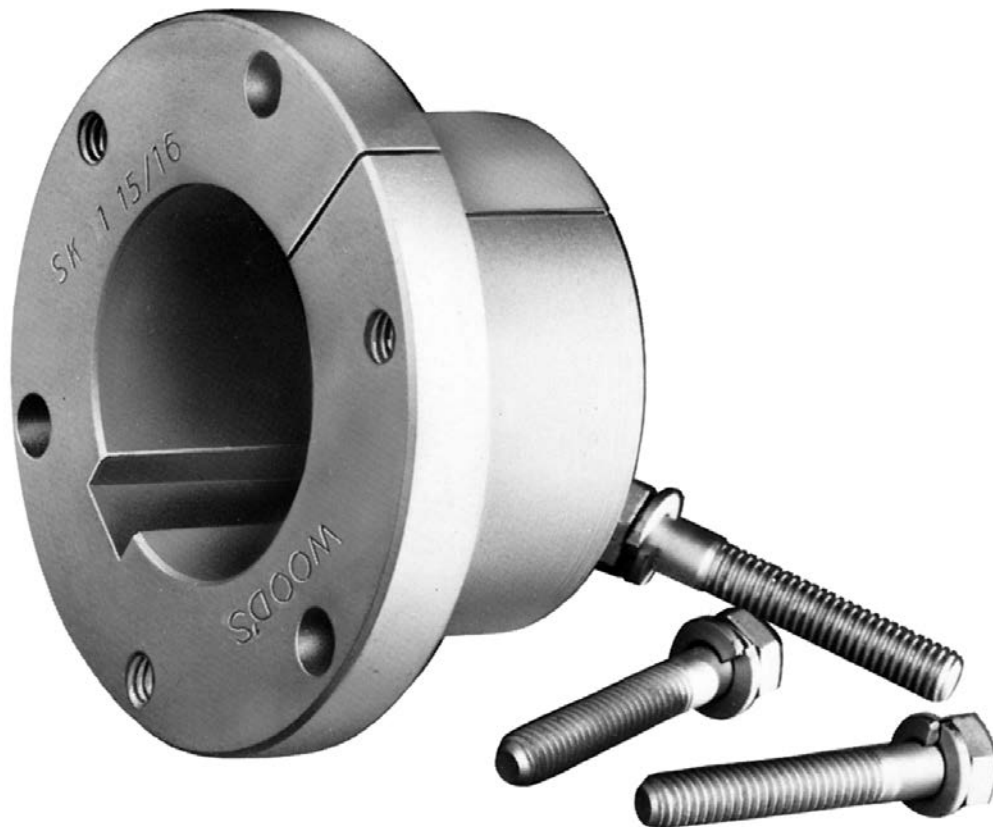
**DISTRIBUIDOR AUTORIZADO** MEX (55) 53 63 23 31 MTY (81) 83 54 10 18  
 QRO (442) 1 95 72 60 [ventas@industrialmagza.com](mailto:ventas@industrialmagza.com)  
 or the tapered surface. If extreme tightening force is applied, or if a lubricant is used, bursting pressures will be created in the hub of the mating part.





# Wood's Metric Sure-Grip® QD Bushings (with metric hardware)

A2



- Provide a True Clamp Fit
- Are Easy to Install and Remove
- Permit Four-Way Mounting



DISTRIBUIDOR MEX (55) 53 63 23 31 MTY (81) 83 54 10 18  
AUTORIZADO QRO (442) 1 95 72 60 ventas@industrialmagza.com

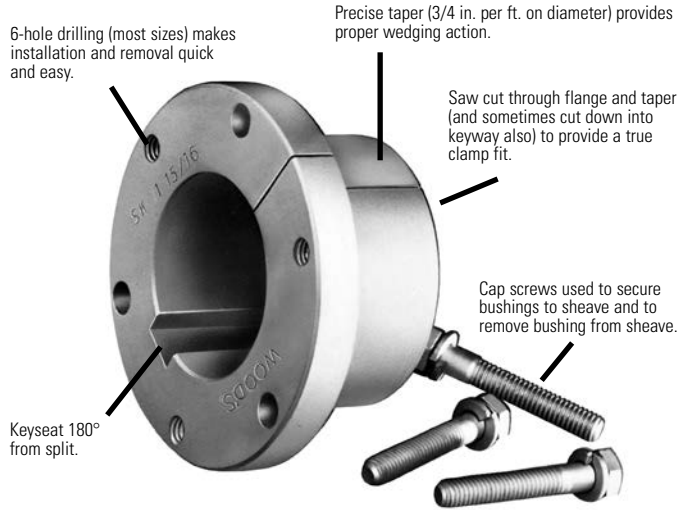


# Metric Sure-Grip® Bushings

## Features

Sure-Grip® “Quick Detachable” bushings are easy to install and remove. They are split through flange and taper to provide a true clamp on the shaft that is the equivalent of a shrink fit. All sizes except JA and QT have a setscrew over the key to help

maintain the bushing’s position on the shaft until the cap screws are securely tightened. Sure-Grip bushings have a very gradual taper (3/4-inch taper per ft. on the diameter) which is about half the inclined angle of many other bushings. The result is the Sure-Grip securely clamps the shaft, with twice the force of those competitive bushings, to provide extreme holding power.

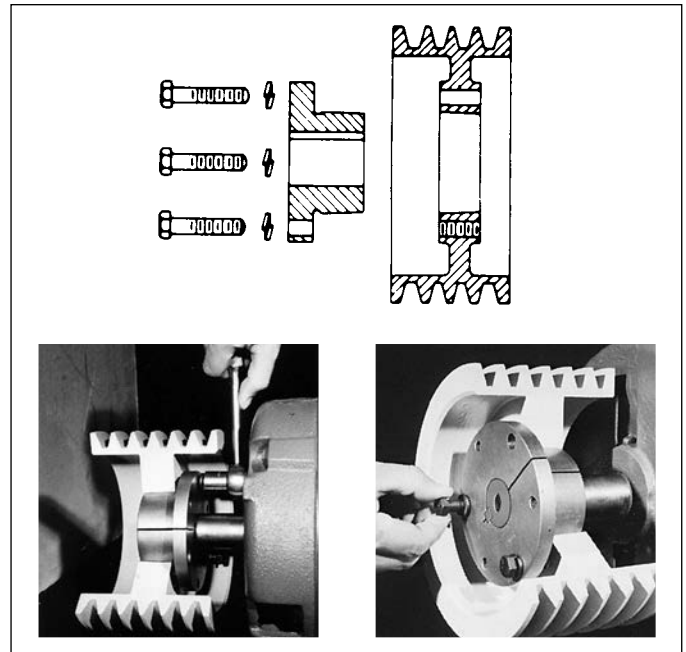
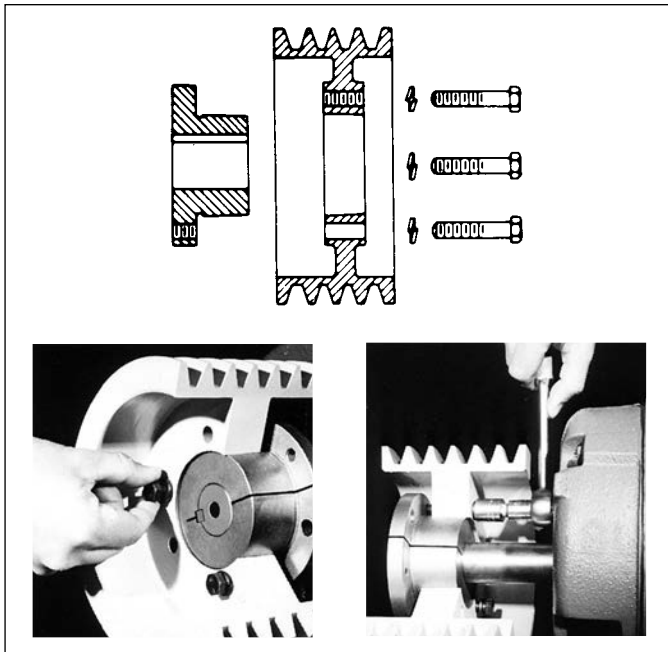


Versatile Sure-Grip bushings permit the mounting of the same mating part on shafts of different diameters, and the mounting of different sheaves on the same shaft using the same bushing. Their interchangeability extends through sheaves, pulleys, timing pulleys, sprockets, flexible and rigid couplings, made-to-order items by Wood’s, and to product lines of several other mechanical power transmission manufacturers.

Sure-Grip bushings are manufactured with the drilled and tapped holes located at a precise distance from the keyseat; thus, a wide mating part having a bushing in each end can be mounted on a common shaft with the two keyways in line. This feature not only facilitates installation but also permits both bushings to carry an equal share of the load.

## STANDARD MOUNTING

## REVERSE MOUNTING



1. Cap screws from outside through drilled holes in the mating part and into threaded holes in the bushing flange located on the inside of the assembly. Or the complete assembly reversed on the shaft and;
2. Cap screws from inside through drilled holes in the mating part and into threaded holes in the bushing flange located on the outside of the assembly.
3. Cap screws from inside through drilled holes in the bushing flange located on the inside of the assembly and into threaded holes in the mating part.
4. Cap screws from outside through drilled holes in the bushing flange-located on the outside of the assembly and into threaded holes in the mating part.



**DISTRIBUIDOR AUTORIZADO** MEX (55) 53 63 23 31 MTY (81) 83 54 10 18  
QRO (442) 1 95 72 60 [ventas@industrialmagza.com](mailto:ventas@industrialmagza.com)

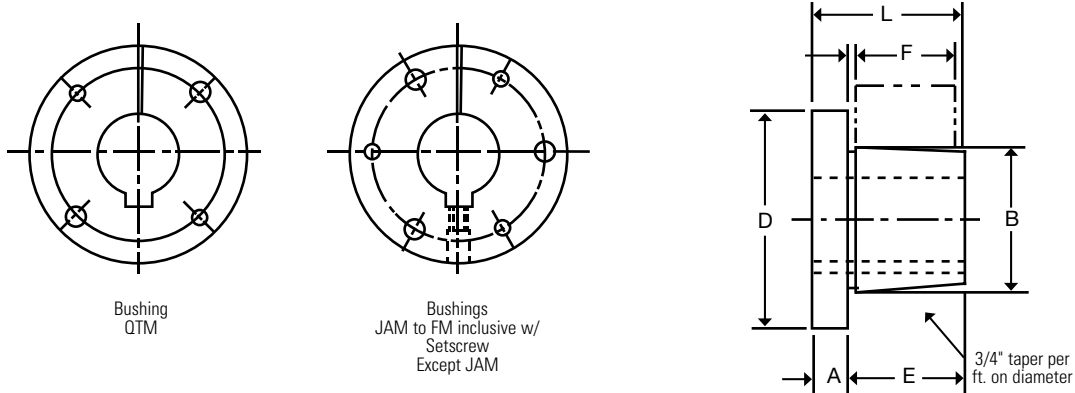


# Metric Sure-Grip® Bushings

## Dimensions

Sure-Grip bushings are designed to transmit the rated torque capacity listed in the table below when the cap screws are tightened as indicated. The bushings are stocked in all popular bore sizes, including metric bores, within the bore range for a particular bushing.

NOTE: Mating hub must have metric drilling.




### SURE-GRIP BUSHING TORQUE RATINGS AND DIMENSIONS

Metric Bushing	Torque Capacity (NM)	Max. Bore (Note 1)	DIMENSIONS IN MILLIMETERS						Cap Screw Bolt Circle	Screws Required
			A	B	D	E	F*	L		
QTM	198	30	6.4	41.3	63.5	25.4	22.2	31.8	50.8	2 - M6
JAM	198	23	7.9	34.9	50.8	17.5	14.3	25.4	42.1	3 - M5
SHM	395	36	9.5	47.5	68.3	22.2	20.6	31.8	57.2	3 - M6
SDSM	565	42	11.1	55.6	81.0	22.2	19.1	33.3	68.3	3 - M6
SDM	565	42	11.1	55.6	81.0	34.9	31.8	46.0	68.3	3 - M6
SKM	791	56	12.7	71.4	98.4	34.9	31.8	47.6	84.1	3 - M8
SFM	1243	63	12.7	79.4	117.5	38.1	31.8	50.8	98.4	3 - M10
EM	2260	78	19.1	97.4	152.4	47.6	41.3	66.7	127.0	3 - M12
FM	4519	90	20.6	112.7	168.3	71.4	63.5	92.1	142.9	3 - M16

\* Mating hub length.

1. MAX MM BORE WITH STANDARD KEYSEAT.

See pages A2-4 for Bushing Information and Weights


**DISTRIBUIDOR MEX (55) 53 63 23 31 MTY (81) 83 54 10 18**  
**AUTORIZADO QRO (442) 1 95 72 60 ventas@industrialmagza.com**

# Metric Sure-Grip® Bushings

## Bore And Keyseat Dimensions

Product No.	Bore (mm)	Key	Wt.
<b>QTM BUSHINGS</b>			
QTMMPB	10	NONE	0.6
QTM10MM	10	4 x 4	0.6
QTM11MM	11	4 x 4	0.6
QTM14MM	14	5 x 5	0.6
QTM15MM	15	5 x 5	0.6
QTM16MM	16	5 x 5	0.6
QTM19MM	19	6 x 6	0.6
QTM20MM	20	6 x 6	0.6
QTM24MM	24	8 x 7	0.6
QTM25MM	25	8 x 7	0.6
QTM28MM	28	8 x 7	0.6
QTM30MM	30	8 x 7	0.6
QTM32MM	32	10 x 6†	0.6
QTM38MM	38	10 x 6†	0.6
<b>JAM BUSHINGS</b>			
JAMMPB	10	NONE	0.8
JAM10MM	10	4 x 4	0.8
JAM11MM	11	4 x 4	0.8
JAM14MM	14	5 x 5	0.8
JAM15MM	15	5 x 5	0.8
JAM19MM	19	6 x 6	0.8
JAM20MM	20	6 x 6	0.8
JAM24MM	24	8 x 6†	0.8
JAM25MM	25	8 x 6†	0.8
JAM28MM	28	8 x 5†	0.8
<b>SHM BUSHINGS</b>			
SHMMPB	10	NONE	1.1
SHM10MM	10	4 x 4	1.1
SHM11MM	11	4 x 4	1.1
SHM14MM	14	5 x 5	1.1
SHM15MM	15	5 x 5	1.1
SHM19MM	19	6 x 6	1.0
SHM20MM	20	6 x 6	1.0
SHM24MM	24	8 x 7	1.0
SHM25MM	25	8 x 7	1.0
SHM28MM	28	8 x 7	0.9
SHM30MM	30	8 x 7	0.8
SHM32MM	32	10 x 8	0.8
SHM35MM	35	10 x 8	0.7
SHM38MM	38	10 x 7†	0.7
SHM40MM	40	12 x 6†	0.6

† SHALLOW KEY FURNISHED

Product No.	Bore (mm)	Key	Wt.
<b>SDSM BUSHINGS</b>			
SDSMMPB	10	NONE	1.7
SDSM15MM	15	5 x 5	1.6
SDSM19MM	19	6 x 6	1.6
SDSM20MM	20	6 x 6	1.6
SDSM24MM	24	8 x 7	1.5
SDSM25MM	25	8 x 7	1.5
SDSM28MM	28	8 x 7	1.4
SDSM30MM	30	8 x 7	1.4
SDSM32MM	32	10 x 8	1.4
SDSM35MM	35	10 x 8	1.2
SDSM38MM	38	10 x 8	1.1
SDSM40MM	40	12 x 8	1.0
SDSM42MM	42	12 x 8	1.0
SDSM48MM	48	14 x 7†	0.9
<b>SDM BUSHINGS</b>			
SDMMPB	15	NONE	2.0
SDM15MM	15	5 x 5	2.0
SDM19MM	19	6 x 6	1.9
SDM20MM	20	6 x 6	1.9
SDM24MM	24	8 x 7	1.9
SDM25MM	25	8 x 7	1.9
SDM28MM	28	8 x 7	1.7
SDM30MM	30	8 x 7	1.7
SDM35MM	35	10 x 8	1.5
SDM38MM	38	10 x 8	1.4
SDM40MM	40	12 x 8	1.3
SDM42MM	42	12 x 8	1.2
SDM48MM	48	14 x 7†	1.0
<b>SKM BUSHINGS</b>			
SKMMPB	15	NONE	3.6
SKM19MM	19	6 x 6	3.5
SKM20MM	20	6 x 6	3.5
SKM24MM	24	8 x 7	3.4
SKM28MM	28	8 x 7	3.2
SKM30MM	30	8 x 7	3.2
SKM32MM	32	10 x 8	3.2
SKM35MM	35	10 x 8	1.5
SKM38MM	38	10 x 8	2.9
SKM40MM	40	12 x 8	2.8
SKM42MM	42	12 x 8	2.7
SKM48MM	48	14 x 9	2.4
SKM50MM	50	14 x 9	2.3
SKM55MM	55	16 x 10	2.0
SKM60MM	60	18 x 8†	1.7

Product No.	Bore (mm)	Key	Wt.
<b>SFM BUSHINGS</b>			
SFMMPB	15	NONE	5.1
SFM20MM	20	6 x 6	5.0
SFM24MM	24	8 x 7	4.8
SFM28MM	28	8 x 7	4.7
SFM30MM	30	8 x 7	4.6
SFM35MM	35	10 x 8	4.4
SFM38MM	38	10 x 8	4.2
SFM40MM	40	12 x 8	4.2
SFM42MM	42	12 x 8	4.1
SFM48MM	48	14 x 9	3.7
SFM50MM	50	14 x 9	3.5
SFM55MM	55	16 x 10	3.2
SFM60MM	60	18 x 11	3.0
<b>EM BUSHINGS</b>			
EMMPB	20	NONE	10.8
EM28MM	28	8 x 7	10.6
EM30MM	30	8 x 7	10.5
EM38MM	38	10 x 8	10.0
EM40MM	40	12 x 8	9.9
EM42MM	42	12 x 8	9.8
EM48MM	48	14 x 9	9.3
EM50MM	50	14 x 9	9.2
EM55MM	55	16 x 10	8.6
EM60MM	60	18 x 11	8.1
EM70MM	70	20 x 12	7.1
<b>FM BUSHINGS</b>			
FMMPB	20	NONE	18.0
FM30MM	30	8 x 7	17.6
FM38MM	38	10 x 8	16.9
FM40MM	40	12 x 8	16.8
FM42MM	42	12 x 8	16.7
FM48MM	48	14 x 9	18.0
FM50MM	50	14 x 9	15.7
FM55MM	55	16 x 10	15.0
FM60MM	60	18 x 11	14.3
FM70MM	70	20 x 12	12.9



**DISTRIBUIDOR  
AUTORIZADO**

MEX (55) 53 63 23 31 MTY (81) 83 54 10 18  
QRO (442) 1 95 72 60 ventas@industrialmagza.com

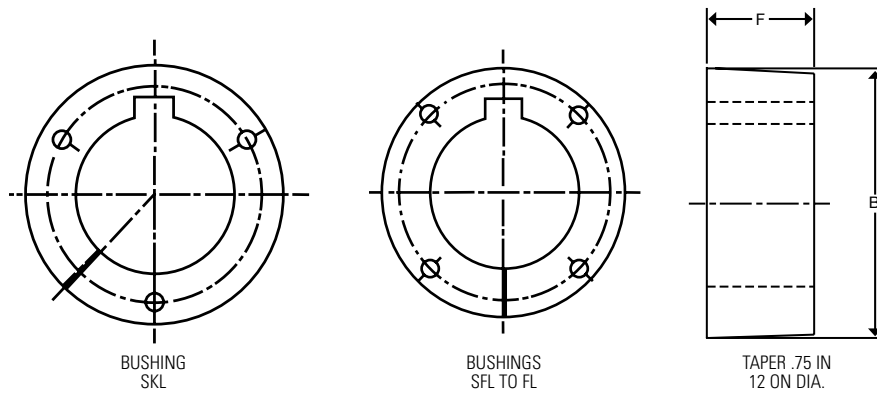


# Metric Sure-Grip® L Series Flangeless Bushings

## Dimensions

Metric Bushing	Torque Capacity (NM)	Material Type	Max. Bore (Note 1)	DIMENSIONS IN MILLIMETERS		Cap screw Bolt Circle	Screws Required
				B	F		
SKLM	791	D.I.	50	71.4	28.6	60.3	3 - M6
SFLM	1243	D.I.	60	79.4	28.6	69.9	4 - M6
ELM	2260	D.I.	73	97.4	38.1	85.7	4 - M8
FLM	5084	D.I.	80	112.7	60.3	95.3	4 - M10

1. MAX BORE WITH KEYSEAT.



Patent No. 5304101

Product Number	Bore	Key	Weight Lbs.
SKLMMPB	15	None	1.7
SFLMMPB	15	None	2.1
ELMMPB	20	None	4.1
FLMMPB	20	None	8.7

### To Install:

#### IMPORTANT: DO NOT USE LUBRICANTS IN THIS INSTALLATION

- Inspect shafts, bushing, and mating hub. Remove all nicks, paint, dirt, grease, etc. from mating surfaces.
- Place key in shaft's keyseat.
- Slide bushing onto shaft and key. **Small End of Taper Must Be Outboard.**
- Slide tapered mating hub over bushing. Align (1) the shaft key with one of the slots in the mating hub and (2) the drilled holes in mating hub with the threaded holes in the bushing.
- Put lockwashers on cap screws and insert one cap screw thru each drilled hole in the mating hub and into the threaded hole in the bushing.
- Use a Torque Wrench.** Tighten all cap screws evenly and progressively in rotation. Torque around all the cap screws as often as necessary until the listed torque value remains on each cap screw.

Metric Bushing	Screws Required	Newton-Meters (Ft.Lbs.) To Apply With Torque Wrench
SKLM	3 - M6	20 (15)
SFLM	4 - M6	20 (15)
ELM	4 - M8	41 (30)
FLM	4 - M10	75 (55)

### To Remove:

- Loosen and remove all cap screws from assembly.
- Install one cap screw in each threaded hole in the mating hub.
- Evenly torque each cap screw in rotation to force the mating hub off the bushing.

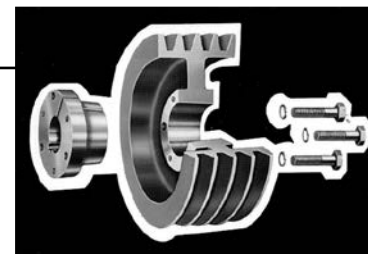


DISTRIBUIDOR  
AUTORIZADO

MEX (55) 53 63 23 31 MTY (81) 83 54 10 18  
QRO (442) 1 95 72 60

**CAUTION**  
The use of lubricants or excessive wrench torques may cause hub stresses high enough to break the mating hub!

# Metric Sure-Grip® Bushings



## Installation Instructions

The Sure-Grip tapered, QD-type interchangeable bushing offers flexible and easy installation while providing exceptional holding power. To ensure that the bushing performs as specified, it must be installed properly.

Before beginning, make sure the correct size and quantity of parts are available for the installation. The bushing has been manufactured to accept a setscrew over the key and its use is optional. It is packaged with the hardware on sizes QT to J.

### To Install:

### To Remove:

#### IMPORTANT:

#### DO NOT USE LUBRICANTS IN THIS INSTALLATION!

1. Inspect the tapered bore of the sheave and the tapered surface of the bushing. Any paint, dirt, oil, or grease **MUST** be removed.
2. Select the type of mounting (See Fig. 1 or 2) that best suits your application.

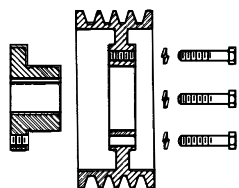


Fig. 1

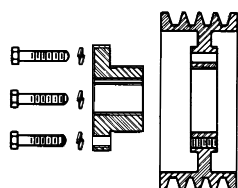


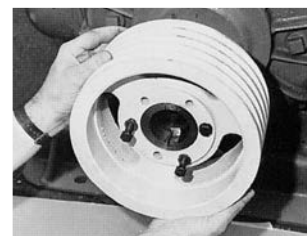
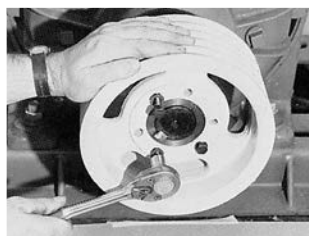
Fig. 2

3. **STANDARD MOUNTING:** Install shaft key. (Note: If key was furnished with bushing, you must use that key.) Install bushing on clean shaft, flange end first. If bushing will not freely slide on the shaft, insert a screwdriver or similar object into the flange sawcut to act as a wedge to open the bushing's bore. **Caution: Excessive wedging will split the bushing.** If using the setscrew, tighten it just enough to prevent the bushing from sliding on the shaft. **Caution: Do not over-tighten setscrew!** Slide sheave into position on bushing aligning the drilled holes in the sheave with the tapped holes in the bushing flange. Loosely thread the cap screws with lockwashers into the assembly. **DO NOT USE LUBRICANT ON THE CAP SCREWS!**

4. **REVERSE MOUNTING:** With large end of the taper out, slide sheave onto shaft as far as possible. Install shaft key. (See shaft key note in #3 above.) Install bushing onto shaft so tapered end will mate with sheave. (See wedging note in #3 above.) If using the setscrew, tighten it enough to prevent the bushing from sliding on the shaft. **Caution: Do not over-tighten setscrew!** Pull the sheave up on the bushing, aligning the drilled holes in the bushing flange with the tapped holes in the sheave. Loosely thread the cap screws with lockwashers into the assembly. **DO NOT USE LUBRICANT ON THE CAP SCREWS!**

5. Using a torque wrench, tighten all cap screws evenly and progressively in rotation to the torque value in Table. There must be a gap between the bushing flange and sheave hub when installation is complete. **DO NOT OVER-TORQUE! DO NOT ATTEMPT TO CLOSE GAP BETWEEN BUSHING FLANGE AND SHEAVE HUB!**

1. Relieve drive tension by shortening the center distance between driver and driven sheaves.
2. Lift off belts.
3. Loosen and remove cap screws. If the bushings have keyway setscrews, loosen them.
4. As shown below, insert cap screws (three in JA through J bushings, two in QT bushings) in tapped removal holes and progressively tighten each one until mating part is loose on bushing. (Exception: If mating part is installed with cap screw heads next to motor, with insufficient room to insert screws in tapped holes, loosen cap screws and use wedge between bushing flange and mating part.)
5. Remove mating part from bushing and, if necessary, bushing from shaft.



### SCREW TIGHTENING INFORMATION

Tapered Bushing	Size & Thread of Cap Screw	Newton-Meters (Ft.-Lbs.) To Apply With Torque Wrench
QT	M6 x 1.0	12 (9)
JA	M5 x 0.8	7 (5)
SH-SDS-SD	M6 x 1.0	12 (9)
SK	M8 x 1.25	20 (15)
SF	M10 x 1.5	41 (30)
E	M12 x 1.75	81 (60)
F	M16 x 2.0	149 (110)
J	M16 x 2.0	183 (135)

**CAUTION:** The tightening force on the screws is multiplied many times by the wedging action of the tapered surface. If extreme tightening force is applied, or if a lubricant is used, bursting forces will be created in the flange of the mating part.



INDUSTRIAL MAGZA DISTRIBUTOR MEX (55) 53 63 23 31 MTY (81) 83 54 10 18  
 AUTORIZADO QRO (442) 1 95 72 60 ventas@industrialmagza.com



---

# Synchronous Sprockets & Belts

C1



- **Positive Slip-Proof Engagement**
- **High Mechanical Efficiency**
- **No Lubrication Needed**



**DISTRIBUIDOR  
AUTORIZADO**

MEX (55) 53 63 23 31 MTY (81) 83 54 10 18  
QRO (442) 1 95 72 60 [ventas@industrialmagza.com](mailto:ventas@industrialmagza.com)



# Synchronous Belt Drives

---

## Features

### Positive Slip-Proof Engagement

Because the teeth of the Synchronous Belt mesh with sprocket grooves, there is no creepage to cause speed variations. Powerful tensile cords can't stretch, so take-up is eliminated from drive maintenance. Precision is guaranteed. This feature is especially important in printing, packaging and material-handling where synchronization is a necessity. Because of this, Synchronous Drives have replaced gears and silent chain in these and many similar applications.

### Wide Speed Range

Drives, such as chains perform best within a limited range of speeds. With Synchronous Drives, the speed range is more than doubled. This feature is of special importance when the entire speed range is developed from a single drive such as in DC drives or machine tool applications. Synchronous Belt efficiency remains high throughout the entire speed range.

### Constant Driven Speeds

The unique Synchronous tooth configuration engages and clears each sprocket groove in a continuous flow of quiet, smoothly transmitted power. Thus, angular velocity of the driven sprocket is constant. There is no jerking or vibration caused by chordal rise and fall of the pitch line as occurs in chain drives. There is no loss of speed caused by belt creep or slippage as with flat and V-belts. The Synchronous Drive's constant output speed is a definite advantage in precision work such as in high-speed printers and machine tools like indexers, drill presses and boring mills.

### Wide Range of Load Capacities

Load capacities of stock Synchronous Drives range from fractional to hundreds of horsepower. Torque loads range from thousands of foot-pounds to inch-ounces. The high efficiencies offered by Synchronous Drives make them ideal for many purposes.

### No Lubrication

Unlike chain or gear drives, Synchronous Drives never need lubrication, since there is no metal-to-metal contact. Maintenance costs are cut to a minimum. Contamination from oil drip, spatter, splash or spray mist is eliminated, too. In addition, there is no oil or grease to trap dirt, grit or abrasive particles and accelerate wear. Food processors, grain elevator operators and other contamination-sensitive industries benefit especially from this feature.

### High Tension Eliminated

Unlike flat and V-belts, Synchronous Belts do not rely on friction for their pulling power. Slack-side tension is practically zero, and tight-side tension is reduced. As a result, overhung bearing loads are lessened with resultant improvements in motor and bearing life.

### High Mechanical Efficiency

Synchronous Drives have unusually high mechanical efficiency. Furthermore, transmission efficiency is not lost with use. The belt construction insures very little heat build-up since friction is not required to pull the load. In addition, belt tension is reduced. Significant power savings are thus obtainable, particularly when using Synchronous Belts on larger horsepower installations.

### Economical Operation

The overall cost of Synchronous Drives can be lower than those of other drives. Original equipment costs are reduced by eliminating adjustable motor bases, lubricating systems and tensioning devices. Maintenance is simpler. No adjustments are needed due to stretch or wear. These savings are not confined to newly designed drives alone, because most roller chain drives can be converted to Wood's Synchronous Drives. Synchronous Belts are also ideal for areas where proper maintenance is difficult or where downtime could prove to be extremely expensive.



**DISTRIBUIDOR  
AUTORIZADO**

MEX (55) 53 63 23 31 MTY (81) 83 54 10 18  
QRO (442) 1 95 72 60 [ventas@industrialmagza.com](mailto:ventas@industrialmagza.com)

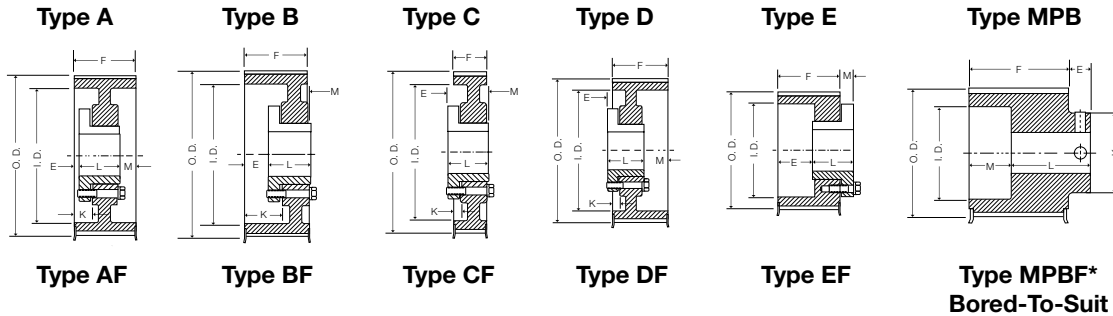




# Synchronous 'QD' Sprocket 5M

## Sprocket Types

The synchronous sprockets listed in the tables below are all stock sizes. All dimensions given are for the sprocket with the Sure-Grip bushing in place and are in inches only.



The figure following the sketch reference letter in the "Type" column indicates the construction of the sprocket. (1 = Solid, 2 = Web, and 3 = Arms), and the letter "F" indicates that the sprocket has flanges.

## Dimensions

PRODUCT NO.	BUSH-ING	NO. OF TEETH	DIAMETERS				TYPE	DIMENSIONS (INCHES)				BORE		WT. (INCL. BUSH.)
			P.D.	O.D.		I.D.		E	K	L	M	Min.	Max.	
				Sprocket	Flange									
FOR BELTS 15mm (.59 in.) WIDE • 5mm PITCH (5M-15) Face Width (F) = .89														
P325M15*	-	32	2.005	1.960	2.16	-	MPB1F	.45	1.55	1.34	0	*.5	.875	0.8
P345M15*	-	34	2.130	2.085	2.29	-	MPB1F	.45	1.68	1.34	0	*.5	1.00	1.0
P365M15*	-	36	2.256	2.211	2.41	-	MPB1F	.45	1.80	1.34	0	*.5	1.12	1.1
P385M15	JA	38	2.381	2.336	2.54	1.34	E1F	.36	0	1.00	.47	.5	1.25	0.9
P405M15	JA	40	2.506	2.461	2.66	1.34	E1F	.36	0	1.00	.47	.5	1.25	1.0
P445M15	JA	44	2.757	2.712	2.91	1.34	E1F	.36	0	1.00	.47	.5	1.25	1.3
P485M15	JA	48	3.008	2.963	3.16	2.36	D1F	.14	.33	1.00	.03	.5	1.25	1.3
P525M15	JA	52	3.258	3.213	3.41	2.62	D1F	.14	.33	1.00	.03	.5	1.25	1.5
P565M15	SH	56	3.509	3.464	3.81	-	D1F	.56	0	1.25	.20	.5	1.68	2.2
P605M15	SH	60	3.760	3.715	3.92	-	D1F	.56	0	1.25	.20	.5	1.68	2.5
P645M15	SH	64	4.010	3.965	4.16	-	D1F	.56	0	1.25	.20	.5	1.68	2.7
P685M15	SDS	68	4.261	4.216	4.41	3.50	D1F	.48	.14	1.31	.06	.5	2.00	3.0
P725M15	SDS	72	4.511	4.466	4.66	3.75	D1F	.48	.14	1.31	.06	.5	2.00	3.3
P805M15	SDS	80	5.013	4.968	-	4.25	D1	.48	.14	1.31	.06	.5	2.00	4.0
P905M15	SDS	90	5.639	5.594	-	4.88	D1	.48	.14	1.31	.06	.5	2.00	5.0
P1125M15	SDS	112	7.018	6.973	-	6.05	D1	.48	.14	1.31	.06	.5	2.00	6.9
FOR BELTS 25mm (.98in.) WIDE • PITCH (5M-25) Face Width (F) = 1.28														
P325M25*	-	32	2.005	1.960	2.16	-	MPB1F	.45	1.55	1.73	0	*.5	.875	1.1
P345M25*	-	34	2.130	2.085	2.29	-	MPB1F	.45	1.68	1.73	0	*.5	1.00	1.3
P365M25*	-	36	2.256	2.211	2.41	-	MPB1F	.45	1.80	1.73	0	*.5	1.12	1.5
P385M25	JA	38	2.381	2.336	2.54	1.34	E1F	.75	0	1.00	.47	.5	1.25	1.2
P405M25	JA	40	2.506	2.461	2.66	1.34	E1F	.75	0	1.00	.47	.5	1.25	1.4
P445M25	JA	44	2.757	2.712	2.91	1.34	E1F	.75	0	1.00	.47	.5	1.25	1.7
P485M25	JA	48	3.008	2.963	3.16	2.36	A1F	.25	.72	1.00	.03	.5	1.25	1.5
P525M25	JA	52	3.258	3.213	3.41	2.62	A1F	.25	.72	1.00	.03	.5	1.25	1.7
P565M25	SH	56	3.509	3.464	3.81	2.86	D1F	.09	.47	1.25	.13	.5	1.68	2.4
P605M25	SH	60	3.760	3.715	3.92	3.12	D1F	.09	.47	1.25	.13	.5	1.68	2.8
P645M25	SH	64	4.010	3.965	4.16	3.37	D1F	.09	.47	1.25	.13	.5	1.68	2.9
P685M25	SDS	68	4.261	4.216	4.41	3.50	D1F	.09	.53	1.31	.06	.5	2.00	3.4
P725M25	SDS	72	4.511	4.466	4.66	3.75	D1F	.09	.53	1.31	.06	.5	2.00	3.7
P805M25	SDS	80	5.013	4.968	-	4.25	D1	.09	.53	1.31	.06	.5	2.00	4.5
P905M25	SDS	90	5.639	5.594	-	4.88	D1	.09	.53	1.31	.06	.5	2.00	5.6
P1125M25	SDS	112	7.018	6.973	-	6.05	D3	.09	.53	1.31	.06	.5	2.00	6.9



DISTRIBUIDOR AUTORIZADO MEX (55) 53 63 23 31 MTY (81) 83 54 10 18 QRO (442) 1 95 72 60 ventas@industrialmagza.com

Weights for all Sure-Grip bushed items are approximate and include the bushing.  
\* Bored-To-Suit construction, minimum plain bore with 2 setscrews.

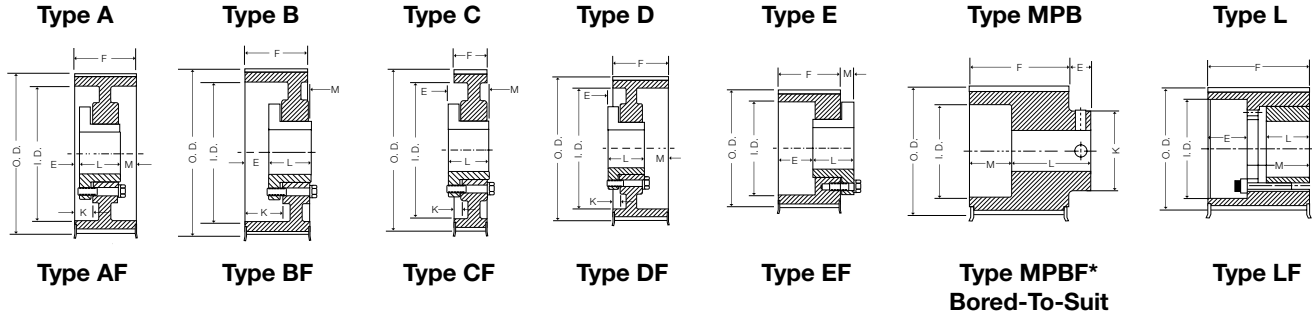


# Synchronous 'QD' Sprocket 8M

## Dimensions

### SPROCKET TYPES

The synchronous sprockets listed in the tables below are all stock sizes. All dimensions given are for the sprocket with the Sure-Grip bushing in place and are in inches only.



The figure following the sketch reference letter in the "Type" column indicates the construction of the sprocket. (1 = Solid, 2 = Web, and 3 = Arms), and the letter "F" indicates that the sprocket has flanges.

PRODUCT NO.	BUSH-ING	NO. OF TEETH	DIAMETERS			TYPE	DIMENSIONS (INCHES)				BORE		WT.	
			P.D.	O.D.			E	K	L	M	Min.	Max.		
				Sprocket	Flange									I.D.
FOR BELTS 20mm (.79 in.) WIDE • 8mm PITCH (8M-20)														
			Face Width (F) = 1-1/8				Dual Drilled (inch/metric) ①							
P228M20*	-	22	2.206	2.152	2.56	-	MPB1F	5/8	1-5/8	1-3/4	0	* 1/2	1-3/16	1.1
P248M20	JA	24	2.406	2.352	2.76	1.34	E1F	19/32	0	1	15/32	1/2	1-1/4	1.0
P268M20	JA	26	2.607	2.553	2.95	1.88	E1F	19/32	0	1	15/32	1/2	1-1/4	1.2
P288M20	QT	28	2.807	2.759	3.15	1.57	E1F	1/4	0	1-1/4	3/8	1/2	1-1/2	1.6
P308M20	QT	30	3.008	2.958	3.35	1.57	E1F	1/4	0	1-1/4	3/8	1/2	1-1/2	1.9
P328M20	QT	32	3.208	3.156	3.54	2.56	D1F	1/8	1/4	1-1/4	0	1/2	1-1/2	2.0
P348M20	SH	34	3.409	3.355	3.82	2.75	D1F	1/4	5/16	1-1/4	1/8	1/2	1-11/16	2.0
P368M20	SH	36	3.609	3.555	3.94	2.82	D1F	1/4	5/16	1-1/4	1/8	1/2	1-11/16	2.2
P388M20	SH	38	3.810	3.756	4.13	3.00	D1F	1/4	5/16	1-1/4	1/8	1/2	1-11/16	2.5
P408M20	SH	40	4.010	3.956	4.33	3.00	D1F	1/4	5/16	1-1/4	1/8	1/2	1-11/16	2.8
P448M20	SDS	44	4.411	4.357	4.76	3.50	D1F	1/4	3/8	1-5/16	1/16	1/2	2	3.4
P488M20	SDS	48	4.812	4.758	5.16	3.80	D1F	1/4	3/8	1-5/16	1/16	1/2	2	4.0
P568M20	SDS	56	5.614	5.560	5.95	4.60	D1F	1/4	3/8	1-5/16	1/16	1/2	2	5.3
P648M20	SDS	64	6.416	6.362	6.77	5.40	D1F	1/4	3/8	1-5/16	1/16	1/2	2	6.9
P728M20	SDS	72	7.218	7.164	7.60	6.20	D2F	1/4	3/8	1-5/16	1/16	1/2	2	6.7
P808M20	SDS	80	8.020	7.966	8.39	6.90	D2F	1/4	3/8	1-5/16	1/16	1/2	2	7.5
P908M20	SDS	90	9.023	8.969	-	7.90	D3	1/4	3/8	1-5/16	1/16	1/2	2	8.5

Weights for all Sure-Grip bushed items are approximate and include the bushing.

\* Bored-To-Suit construction, minimum plain bore with 2 setscrews.

① Drilled for both inch and metric bushing hardware.



DISTRIBUIDOR  
AUTORIZADO

MEX (55) 53 63 23 31 MTY (81) 83 54 10 18  
QRO (442) 1 95 72 60 ventas@industrialmagza.com



# Synchronous 'QD' Sprocket 8M

## Dimensions

PRODUCT NO.	BUSH-ING	NO. OF TEETH	DIAMETERS				TYPE	DIMENSIONS (INCHES)				BORE		WT.
			P.D.	O.D.		I.D.		E	K	L	M	Min.	Max.	
				Sprocket	Flange									
FOR BELTS 30mm (1.18 in.) WIDE • 8mm PITCH (8M-30) Face Width (F) = 1-1/2 Dual Drilled (inch/metric) ①														
P228M30*	-	22	2.206	2.152	2.56	-	MPB1F	5/8	1-5/8	2-1/8	0	* 1/2	1-3/16	1.5
P248M30	JA	24	2.406	2.352	2.76	1.34	E1F	31/32	0	1	15/32	1/2	1-1/4	.8
P268M30	JA	26	2.607	2.553	2.95	1.88	E1F	31/32	0	1	15/32	1/2	1-1/4	.9
P288M30	QT	28	2.807	2.759	3.15	1.57	E1F	5/8	0	1-1/4	3/8	1/2	1-1/2	1.8
P308M30	QT	30	3.008	2.958	3.35	1.57	E1F	5/8	0	1-1/4	3/8	1/2	1-1/2	2.2
P328M30	QT	32	3.208	3.156	3.54	2.56	B1F	1/4	5/8	1-1/4	0	1/2	1-1/2	2.0
P348M30	SH	34	3.409	3.355	3.82	2.75	A1F	1/8	11/16	1-1/4	1/8	1/2	1-11/16	2.3
P368M30	SH	36	3.609	3.555	3.94	2.82	A1F	1/8	11/16	1-1/4	1/8	1/2	1-11/16	2.7
P388M30	SH	38	3.810	3.756	4.13	3.00	A1F	1/8	11/16	1-1/4	1/8	1/2	1-11/16	3.0
P408M30	SH	40	4.010	3.956	4.33	3.00	A1F	1/8	11/16	1-1/4	1/8	1/2	1-11/16	3.3
P448M30	SDS	44	4.411	4.357	4.76	3.50	A1F	1/8	3/4	1-5/16	1/16	1/2	2	3.8
P488M30	SDS	48	4.812	4.758	5.16	3.80	A1F	1/8	3/4	1-5/16	1/16	1/2	2	4.5
P568M30	SDS	56	5.614	5.560	5.95	4.60	A1F	1/8	3/4	1-5/16	1/16	1/2	2	5.9
P648M30	SK	64	6.416	6.362	6.77	5.40	D1F	15/32	1/4	1-7/8	3/32	1/2	2-5/8	10.4
P728M30	SK	72	7.218	7.164	7.60	6.20	D2F	15/32	1/4	1-7/8	3/32	1/2	2-5/8	10.7
P808M30	SK	80	8.020	7.966	8.39	6.90	D2F	15/32	1/4	1-7/8	3/32	1/2	2-5/8	11.8
P908M30	SK	90	9.023	8.969	-	7.90	D2	15/32	1/4	1-7/8	3/32	1/2	2-5/8	13.5
P1128M30	SK	112	11.229	11.175	-	10.00	D3	15/32	1/4	1-7/8	3/32	1/2	2-5/8	16.3
FOR BELTS 50mm (1.97 in.) WIDE • 8mm PITCH (8M-50) Face Width (F) = 2-3/8 Dual Drilled (inch/metric) ①														
P288M50*	-	28	2.807	2.759	3.15	-	MPB1F	3/4	2-9/32	3-1/8	0	* 3/4	1-3/8	3.7
P308M50*	-	30	3.008	2.958	3.35	-	MPB1F	3/4	2-15/32	3-1/8	0	* 3/4	1-3/8	4.3
P328M50*	-	32	3.208	3.156	3.54	-	MPB1F	3/4	2-11/16	3-1/8	0	* 3/4	1-1/2	5.3
P348M50	SH	34	3.409	3.355	3.82	2.75	D1F	1/16	1/2	1-1/4	1-3/16	1/2	1-11/16	2.7
P368M50	SH	36	3.609	3.555	3.94	2.82	D1F	1/16	1/2	1-1/4	1-3/16	1/2	1-11/16	3.4
P388M50	SH	38	3.810	3.756	4.13	3.00	D1F	1/16	1/2	1-1/4	1-3/16	1/2	1-11/16	3.7
P408M50	SH	40	4.010	3.956	4.33	3.00	D1F	1/16	1/2	1-1/4	1-3/16	1/2	1-11/16	4.2
P448M50	SD	44	4.411	4.357	4.76	3.50	D1F	1/16	9/16	1-13/16	5/8	1/2	2	5.7
P488M50	SD	48	4.812	4.758	5.16	3.80	D1F	1/16	9/16	1-13/16	5/8	1/2	2	6.9
P568M50	SK	56	5.614	5.560	5.95	4.60	D1F	5/32	9/16	1-7/8	21/32	1/2	2-5/8	9.4
P648M50	SK	64	6.416	6.362	6.77	5.40	D1F	5/32	9/16	1-7/8	21/32	1/2	2-5/8	12.0
P728M50	SK	72	7.218	7.164	7.60	6.20	D1F	5/32	9/16	1-7/8	21/32	1/2	2-5/8	15.0
P808M50	SF	80	8.020	7.966	8.39	6.90	D2F	1/8	9/16	2	1/2	1/2	2-15/16	17.0
P908M50	SF	90	9.023	8.969	-	7.90	D2	1/8	9/16	2	1/2	1/2	2-15/16	19.1
P1128M50	SF	112	11.229	11.175	-	10.00	D3	1/8	9/16	2	1/2	1/2	2-15/16	23.9
P1448M50	E	144	14.437	14.383	-	13.20	D3	17/32	3/8	2-5/8	9/32	7/8	3-1/2	38.1
P1928M50	E	192	19.249	19.195	-	18.00	D3	17/32	3/8	2-5/8	9/32	7/8	3-1/2	52.5
FOR BELTS 85mm (3.35 in.) WIDE • 8mm PITCH (8M-85) Face Width (F) = 3-3/4 Dual Drilled (inch/metric) ①														
P348M85*	-	34	3.409	3.355	3.82	-	MPB1F	3/4	2-15/16	4-1/2	0	* 7/8	1-3/4	8.4
P368M85	SKL	36	3.609	3.555	3.94	2.88	L1F	1-25/32	-	1-1/8	1-31/32	1/2	1-15/16	4.6
P388M85	SKL	38	3.810	3.756	4.13	3.00	L1F	1-25/32	-	1-1/8	1-31/32	1/2	1-15/16	5.4
P408M85	SKL	40	4.010	3.956	4.33	3.00	L1F	1-25/32	-	1-1/8	1-31/32	1/2	1-15/16	6.0
P448M85	SFL	44	4.411	4.357	4.76	3.50	L1F	1-25/32	-	1-1/8	1-31/32	1/2	2-3/8	7.5
P488M85	SFL	48	4.812	4.758	5.16	3.63	L1F	1-25/32	-	1-1/8	1-31/32	1/2	2-3/8	9.5
P568M85	EL	56	5.614	5.560	5.95	4.56	L1F	1-3/8	-	1-1/2	2-3/8	7/8	2-7/8	13.5
P648M85	SF	64	6.416	6.362	6.77	5.38	A1F	9/16	1-1/4	2	1-3/16	1/2	2-15/16	15.6
P728M85	E	72	7.218	7.164	7.60	6.19	A1F	5/32	1-1/16	2-5/8	31/32	7/8	3-1/2	24.0
P808M85	E	80	8.020	7.966	8.39	6.88	A1F	5/32	1-1/16	2-5/8	31/32	7/8	3-1/2	29.1
P908M85	E	90	9.023	8.969	-	7.88	A1	5/32	1-1/16	2-5/8	31/32	7/8	3-1/2	35.5
P1128M85	F	112	11.229	11.175	-	10.00	D1	7/16	5/8	3-5/8	9/16	1	4	70.5
P1448M85	F	144	14.437	14.383	-	13.19	D3	7/16	5/8	3-5/8	9/16	1	4	64.5
P1928M85	F	192	19.249	19.195	-	18.00	D3	7/16	5/8	3-5/8	9/16	1	4	78.1

Weights for all Sure-Grip bushed items are approximate and include the bush.

\* Bored-To-Suit construction, minimum plain bore with 2 setscrews.

① Drilled for both inch and metric bushing hardware.



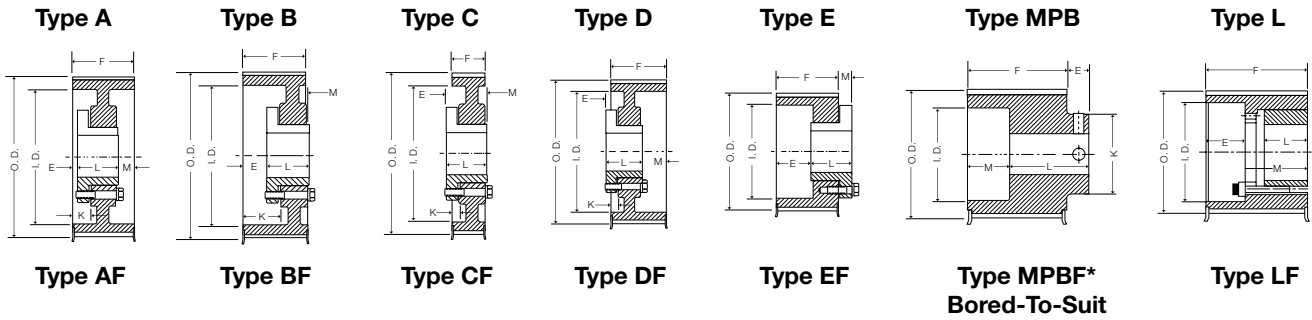
DISTRIBUIDOR  
AUTORIZADO

MEX (55) 53 63 23 31 MTY (81) 83 54 10 18  
QRO (442) 1 95 72 60 ventas@industrialmagza.com



# Synchronous 'QD' Sprocket 14M

## Dimensions



The figure following the sketch reference letter in the "Type" column indicates the construction of the sprocket. (1 = Solid, 2 = Web, and 3 = Arms), and the letter "F" indicates that the sprocket has flanges.

PRODUCT NO.	BUSH-ING	NO. OF TEETH	DIAMETERS				TYPE	DIMENSIONS (INCHES)				BORE		WT.
			P.D.	O.D.		I.D.		E	K	L	M	Min.	Max.	
				Sprocket	Flange									
FOR BELTS 40mm (1.57 in.) WIDE • 14mm PITCH (14M-40) Face Width (F) = 2-1/8 Dual Drilled (inch/metric) ①														
P2814M40	SK	28	4.912	4.802	5.56	-	E1F	31/32	0	1-7/8	23/32	1/2	2-5/8	7.2
P2914M40	SK	29	5.088	4.978	5.56	-	E1F	31/32	0	1-7/8	23/32	1/2	2-5/8	7.9
P3014M40	SK	30	5.263	5.153	5.56	4.04	D1F	9/32	7/16	1-7/8	17/32	1/2	2-5/8	7.6
P3214M40	SK	32	5.614	5.504	6.09	4.04	D1F	9/32	7/16	1-7/8	17/32	1/2	2-5/8	9.2
P3414M40	SK	34	5.965	5.855	6.50	4.22	D1F	9/32	7/16	1-7/8	17/32	1/2	2-5/8	10.6
P3614M40	SF	36	6.316	6.206	6.87	4.84	D1F	1/4	7/16	2	3/8	1/2	2-15/16	11.9
P3814M40	SF	38	6.667	6.557	7.22	4.94	D1F	1/4	7/16	2	3/8	1/2	2-15/16	13.3
P4014M40	SF	40	7.018	6.908	7.50	5.06	D1F	1/4	7/16	2	3/8	1/2	2-15/16	15.1
P4414M40	E	44	7.720	7.610	8.34	6.12	D1F	21/32	1/4	2-5/8	5/32	7/8	3-1/2	21.7
P4814M40	E	48	8.421	8.311	8.90	6.50	D1F	21/32	1/4	2-5/8	5/32	7/8	3-1/2	25.9
P5214M40	E	52	9.123	9.013	9.68	7.18	D1F	21/32	1/4	2-5/8	5/32	7/8	3-1/2	30.0
P5614M40	E	56	9.825	9.715	10.38	7.88	D1F	21/32	1/4	2-5/8	5/32	7/8	3-1/2	34.6
P6014M40	E	60	10.527	10.417	11.06	8.50	D1F	21/32	1/4	2-5/8	5/32	7/8	3-1/2	39.4
P6414M40	E	64	11.229	11.119	11.68	9.25	D2F	21/32	1/4	2-5/8	5/32	7/8	3-1/2	35.7
P6814M40	E	68	11.930	11.820	12.50	10.00	D2F	21/32	1/4	2-5/8	5/32	7/8	3-1/2	38.0
P7214M40	E	72	12.632	12.522	13.19	10.69	D2F	21/32	1/4	2-5/8	5/32	7/8	3-1/2	36.8
P8014M40	E	80	14.036	13.926	14.63	12.13	D2F	21/32	1/4	2-5/8	5/32	7/8	3-1/2	41.1
P9014M40	E	90	15.790	15.680	-	14.50	D3	21/32	1/4	2-5/8	5/32	7/8	3-1/2	42.9
P11214M40	E	112	19.650	19.540	-	18.38	D3	21/32	1/4	2-5/8	5/32	7/8	3-1/2	53.8
P14414M40	E	144	25.264	25.154	-	23.88	D3	21/32	1/4	2-5/8	5/32	7/8	3-1/2	80.9
P16814M40	F	168	29.475	29.365	-	28.25	C3	1-1/16	0	3-5/8	7/16	1	4	105.0
P19214M40	F	192	33.686	33.576	-	32.38	C3	1-1/16	0	3-5/8	7/16	1	4	126.0
P21614M40	F	216	37.896	37.786	-	36.62	C3	1-1/16	0	3-5/8	7/16	1	4	159.0
FOR BELTS 55mm (2.17 in.) WIDE • 14mm PITCH (14M-55) Face Width (F) = 2-3/4 Dual Drilled (inch/metric) ①														
P2814M55	SK	28	4.912	4.802	5.56	2.73	E1F	1-19/32	0	1-7/8	23/32	1/2	2-5/8	8.5
P2914M55	SK	29	5.088	4.978	5.56	2.73	E1F	1-19/32	0	1-7/8	23/32	1/2	2-5/8	9.5
P3014M55	SK	30	5.263	5.153	5.56	4.04	A1F	1/32	3/4	1-7/8	27/32	1/2	2-5/8	8.7
P3214M55	SK	32	5.614	5.504	6.09	4.04	A1F	1/32	3/4	1-7/8	27/32	1/2	2-5/8	10.7
P3414M55	SK	34	5.965	5.855	6.50	4.22	A1F	1/32	3/4	1-7/8	27/32	1/2	2-5/8	12.5
P3614M55	SF	36	6.316	6.206	6.87	4.84	A1F	1/16	3/4	2	11/16	1/2	2-15/16	13.6
P3814M55	SF	38	6.667	6.557	7.22	4.94	A1F	1/16	3/4	2	11/16	1/2	2-15/16	15.2
P4014M55	SF	40	7.018	6.908	7.50	5.06	A1F	1/16	3/4	2	11/16	1/2	2-15/16	17.4
P4414M55	E	44	7.720	7.610	8.34	6.12	D1F	11/32	9/16	2-5/8	15/32	7/8	3-1/2	23.8
P4814M55	E	48	8.421	8.311	8.90	6.50	D1F	11/32	9/16	2-5/8	15/32	7/8	3-1/2	28.8
P5214M55	E	52	9.123	9.013	9.68	7.18	D1F	11/32	9/16	2-5/8	15/32	7/8	3-1/2	33.2
P5614M55	E	56	9.825	9.715	10.38	7.88	D1F	11/32	9/16	2-5/8	15/32	7/8	3-1/2	38.0
P6014M55	E	60	10.527	10.417	11.06	8.50	D1F	11/32	9/16	2-5/8	15/32	7/8	3-1/2	43.3
P6414M55	F	64	11.229	11.119	11.68	9.25	D1F	15/16	1/8	3-5/8	1/16	1	4	62.6
P6814M55	F	68	11.930	11.820	12.50	10.00	D2F	15/16	1/8	3-5/8	1/16	1	4	54.5
P7214M55	F	72	12.632	12.522	13.19	10.69	D2F	15/16	1/8	3-5/8	1/16	1	4	58.0
P8014M55	F	80	14.036	13.926	14.63	12.12	D2F	15/16	1/8	3-5/8	1/16	1	4	61.9
P9014M55	F	90	15.790	15.680	-	14.50	D3	15/16	1/8	3-5/8	1/16	1	4	58.1
P11214M55	F	112	19.650	19.540	-	18.38	D3	15/16	1/8	3-5/8	1/16	1	4	72.2
P14414M55	F	144	25.264	25.154	-	23.88	D3	15/16	1/8	3-5/8	1/16	1	4	106.3
P16814M55	F	168	29.475	29.365	-	-	D3	15/16	1/8	3-5/8	1/16	1	4	110.2
P19214M55	F	192	33.686	33.576	-	-	D3	15/16	1/8	3-5/8	1/16	1	4	133.2
P21614M55	F	216	37.896	37.786	-	-	D3	15/16	1/8	3-5/8	1/16	1	4	161.6

Weights for all Sure-Grip bushed items are approximate and include the bushing.

① Drilled for both inch and metric bushing hardware.

# Synchronous 'QD' Sprocket 14M

## Dimensions

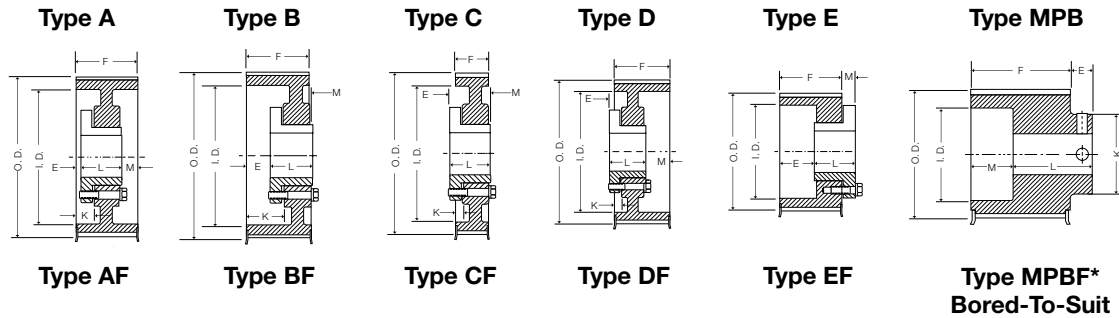
PRODUCT NO.	BUSH-ING	NO. OF TEETH	DIAMETERS				TYPE	DIMENSION (INCHES)				BORE		WT.
			P.D.	O.D.		I.D.		E	K	L	M	Min.	Max.	
				Sprocket	Flange									
FOR BELTS 85mm (3.35 in.) WIDE • 14mm PITCH (14M-85) Face Width (F) = 4														
P2814M85	SFL	28	4.912	4.802	5.56	3.12	L1F	2-1/32	-	1-1/8	1-31/32	1/2	2-3/8	10.4
P2914M85	SFL	29	5.088	4.978	5.56	3.25	L1F	2-1/32	-	1-1/8	1-31/32	1/2	2-3/8	11.7
P3014M85	EL	30	5.263	5.153	5.56	3.94	L1F	1-5/8	-	1-1/2	2-3/8	7/8	2-7/8	11.1
P3214M85	EL	32	5.614	5.504	6.09	3.94	L1F	1-5/8	-	1-1/2	2-3/8	7/8	2-7/8	14.1
P3414M85	EL	34	5.965	5.855	6.50	4.06	L1F	1-5/8	-	1-1/2	2-3/8	7/8	2-7/8	17.0
P3614M85	SF	36	6.316	6.206	6.87	4.84	A1F	11/16	1-3/8	2	1-5/16	1/2	2-15/16	16.9
P3814M85	SF	38	6.667	6.557	7.22	4.94	A1F	11/16	1-3/8	2	1-5/16	1/2	2-15/16	19.1
P4014M85	SF	40	7.018	6.908	7.50	5.06	A1F	11/16	1-3/8	2	1-5/16	1/2	2-15/16	22.1
P4414M85	E	44	7.720	7.610	8.34	6.12	A1F	9/32	1-3/16	2-5/8	1-3/32	7/8	3-1/2	27.9
P4814M85	E	48	8.421	8.311	8.90	6.50	A1F	9/32	1-3/16	2-5/8	1-3/32	7/8	3-1/2	34.5
P5214M85	E	52	9.123	9.013	9.68	7.18	A1F	9/32	1-3/16	2-5/8	1-3/32	7/8	3-1/2	39.5
P5614M85	F	56	9.825	9.715	10.38	7.88	D1F	5/16	3/4	3-5/8	11/16	7/8	3-1/2	54.8
P6014M85	F	60	10.527	10.417	11.06	8.50	D1F	5/16	3/4	3-5/8	11/16	1	4	62.8
P6414M85	F	64	11.229	11.119	11.68	9.25	D1F	5/16	3/4	3-5/8	11/16	1	4	70.8
P6814M85	F	68	11.930	11.820	12.50	10.00	D2F	5/16	3/4	3-5/8	11/16	1	4	64.1
P7214M85	F	72	12.632	12.522	13.19	10.69	D2F	5/16	3/4	3-5/8	11/16	1	4	68.6
P8014M85	F	80	14.036	13.926	14.63	12.13	D2F	5/16	3/4	3-5/8	11/16	1	4	71.0
P9014M85	F	90	15.790	15.680	-	14.50	D3	5/16	3/4	3-5/8	11/16	1	4	68.5
P11214M85	F	112	19.650	19.540	-	18.25	D3	5/16	3/4	3-5/8	11/16	1	4	89.2
P14414M85	F	144	25.264	25.154	-	23.88	D3	5/16	3/4	3-5/8	11/16	1	4	118.3
P16814M85	J	168	29.475	29.365	-	28.12	D3	27/32	13/32	4-1/2	11/32	1-7/16	4-1/2	153.0
P19214M85	J	192	33.686	33.576	-	32.38	D3	27/32	13/32	4-1/2	11/32	1-7/16	4-1/2	182.0
P21614M85	J	216	37.896	37.786	-	36.38	D3	27/32	13/32	4-1/2	11/32	1-7/16	4-1/2	244.0
FOR BELTS 115mm (4.53 in.) WIDE • 14mm PITCH (14M-115) Face Width (F) = 5-1/4														
P2814M115	SFL	28	4.912	4.802	5.56	3.25	L1F	3-9/32	-	1-1/8	1-31/32	1/2	2-3/8	13.0
P2914M115	SFL	29	5.088	4.978	5.56	3.25	L1F	3-9/32	-	1-1/8	1-31/32	1/2	2-3/8	14.7
P3014M115	EL	30	5.263	5.153	5.56	3.94	L1F	2-7/8	-	1-1/2	2-3/8	7/8	2-7/8	13.5
P3214M115	EL	32	5.614	5.504	6.09	3.94	L1F	2-7/8	-	1-1/2	2-3/8	7/8	2-7/8	16.0
P3414M115	EL	34	5.965	5.855	6.50	4.06	L1F	2-7/8	-	1-1/2	2-3/8	7/8	2-7/8	20.0
P3614M115	FL	36	6.316	6.206	6.87	4.69	L1F	1-3/4	-	2-3/8	3-1/2	1	3-1/8	24.2
P3814M115	FL	38	6.667	6.557	7.22	4.94	L1F	1-3/4	-	2-3/8	3-1/2	1	3-1/8	28.5
P4014M115	FL	40	7.018	6.908	7.50	5.06	L1F	1-3/4	-	2-3/8	3-1/2	1	3-1/8	33.4
P4414M115	E	44	7.720	7.610	8.34	6.12	A1F	29/32	1-13/16	2-5/8	1-23/32	7/8	3-1/2	32.1
P4814M115	E	48	8.421	8.311	8.90	6.50	A1F	29/32	1-13/16	2-5/8	1-23/32	7/8	3-1/2	40.1
P5214M115	F	52	9.123	9.013	9.68	7.18	A1F	5/16	1-3/8	3-5/8	1-5/16	1	4	53.8
P5614M115	F	56	9.825	9.715	10.38	7.88	A1F	5/16	1-3/8	3-5/8	1-5/16	1	4	61.7
P6014M115	F	60	10.527	10.417	11.06	8.50	A1F	5/16	1-3/8	3-5/8	1-5/16	1	4	70.6
P6414M115	J	64	11.229	11.119	11.68	9.25	D1F	1/4	1	4-1/2	1	1-7/16	4-1/2	90.0
P6814M115	J	68	11.930	11.820	12.50	10.00	D1F	1/4	1	4-1/2	1	1-7/16	4-1/2	100.8
P7214M115	J	72	12.632	12.522	13.19	10.69	D1F	1/4	1	4-1/2	1	1-7/16	4-1/2	112.7
P8014M115	J	80	14.036	13.926	14.63	12.12	D2F	1/4	1	4-1/2	1	1-7/16	4-1/2	100.8
P9014M115	J	90	15.790	15.680	-	14.50	D2	1/4	1	4-1/2	1	1-7/16	4-1/2	89.3
P11214M115	J	112	19.650	19.540	-	18.25	D3	1/4	1	4-1/2	1	1-7/16	4-1/2	116.5
P14414M115	J	144	25.264	25.154	-	23.88	D3	1/4	1	4-1/2	1	1-7/16	4-1/2	159.5
P16814M115	M	168	29.475	29.365	-	28.09	C3	1-13/32	1/16	6-3/4	3/32	1-15/16	5-1/2	261.0
P19214M115	M	192	33.686	33.576	-	32.25	C3	1-13/32	1/16	6-3/4	3/32	1-15/16	5-1/2	302.0
P21614M115	M	216	37.896	37.786	-	36.38	C3	1-13/32	1/16	6-3/4	3/32	1-15/16	5-1/2	350.0
FOR BELTS 170mm (6.69 in.) WIDE • 14mm PITCH (14M-170) Face Width (F) = 7-3/8														
P3614M170	FL	36	6.316	6.206	6.87	4.69	L1F	3-7/8	-	2-3/8	3-1/2	1	3-1/8	30.5
P3814M170	FL	38	6.667	6.557	7.22	4.94	L1F	3-7/8	-	2-3/8	3-1/2	1	3-1/8	35.4
P4014M170	FL	40	7.018	6.908	7.50	5.06	L1F	3-7/8	-	2-3/8	3-1/2	1	3-1/8	42.0
P4414M170	FL	44	7.720	7.610	8.34	6.12	L1F	3-7/8	-	2-3/8	3-1/2	1	3-1/8	46.4
P4814M170	FL	48	8.421	8.311	8.90	6.50	L1F	3-7/8	-	2-3/8	3-1/2	1	3-1/8	58.4
P5214M170	F	52	9.123	9.013	9.68	7.18	A1F	1-3/8	2-7/16	3-5/8	2-3/8	1	4	64.6
P5614M170	F	56	9.825	9.715	10.38	7.88	A1F	1-3/8	2-7/16	3-5/8	2-3/8	1	4	73.4
P6014M170	J	60	10.527	10.417	11.06	8.50	A1F	7/8	2-1/8	4-1/2	2	1-7/16	4-1/2	93.1
P6414M170	J	64	11.229	11.119	11.68	9.25	A1F	7/8	2-1/8	4-1/2	2	1-7/16	4-1/2	103.9
P6814M170	J	68	11.930	11.820	12.50	10.00	A1F	7/8	2-1/8	4-1/2	2	1-7/16	4-1/2	115.3
P7214M170	J	72	12.632	12.522	13.19	10.69	A1F	7/8	2-1/8	4-1/2	2	1-7/16	4-1/2	128.2
P8014M170	J	80	14.036	13.926	14.63	12.12	A2F	7/8	2-1/8	4-1/2	2	1-7/16	4-1/2	119.9
P9014M170	J	90	15.790	15.680	-	14.50	A2	7/8	2-1/8	4-1/2	2	1-7/16	4-1/2	104.2
P11214M170	M	112	19.650	19.540	-	18.25	D3	1/32	1-7/16	6-3/4	21/32	1-15/16	5-1/2	205.6
P14414M170	M	144	25.264	25.154	-	23.88	D3	1/32	1-7/16	6-3/4	21/32	1-15/16	5-1/2	268.2
P16814M170	M	168	29.475	29.365	-	28.12	D3	1/32	1-7/16	6-3/4	21/32	1-15/16	5-1/2	293.3
P19214M170	M	192	33.686	33.576	-	32.25	D3	1/32	1-7/16	6-3/4	21/32	1-15/16	5-1/2	334.9
P21614M170	M	216	37.896	37.786	-	36.38	D3	1/32	1-7/16	6-3/4	21/32	1-15/16	5-1/2	383.6

Weights for all Sure-Grip bushed items are approximate and include the bushing.

# Synchronous 'QD' Sprocket 20M

## Dimensions

The synchronous sprockets listed in the tables below are all stock sizes. All dimensions given are for the sprocket with the Sure-Grip bushing in place and are in inches only.



The figure following the sketch reference letter in the "Type" column indicates the construction of the sprocket. (1 = Solid, 2 = Web, and 3 = Arms), and the letter "F" indicates that the sprocket has flanges.

PRODUCT NO.	BUSH-ING	NO. OF TEETH	DIAMETERS				TYPE	DIMENSIONS (INCHES)				BORE		WT.
			P.D.	O.D.		I.D.		E	K	L	M	Min.	Max.	
				Sprocket	Flange									
FOR BELTS 115mm (4.53 in.) WIDE • 20mm PITCH (20M-115) Face Width (F) = 5-3/8														
P3420M115	F	34	8.522	8.352	9.45	6.88	A1F	3/8	1-7/16	3-5/8	1-3/8	1	4	41.5
P3620M115	F	36	9.023	8.853	9.84	7.00	A1F	3/8	1-7/16	3-5/8	1-3/8	1	4	50.1
P3820M115	F	38	9.524	9.354	10.43	7.56	A1F	3/8	1-7/16	3-5/8	1-3/8	1	4	54.9
P4020M115	F	40	10.026	9.856	10.83	8.00	A1F	3/8	1-7/16	3-5/8	1-3/8	1	4	61.0
P4420M115	F	44	11.028	10.858	11.81	8.93	A1F	3/8	1-7/16	3-5/8	1-3/8	1	4	73.6
P4820M115	J	48	12.031	11.861	12.80	9.93	D1F	1/16	1-3/16	4-1/2	15/16	1-7/16	4-1/2	99.6
P5220M115	J	52	13.033	12.863	13.76	10.88	D2F	1/16	1-3/16	4-1/2	15/16	1-7/16	4-1/2	95.5
P5620M115	J	56	14.036	13.866	14.76	11.88	D2F	1/16	1-3/16	4-1/2	15/16	1-7/16	4-1/2	103.1
P6020M115	J	60	15.038	14.868	15.93	13.06	D2F	1/16	1-3/16	4-1/2	15/16	1-7/16	4-1/2	109.7
P6420M115	J	64	16.041	15.871	16.93	14.06	D2F	1/16	1-3/16	4-1/2	15/16	1-7/16	4-1/2	119.4
P6820M115	J	68	17.044	16.874	17.93	15.00	D2F	1/16	1-3/16	4-1/2	15/16	1-7/16	4-1/2	125.4
P7220M115	J	72	18.046	17.876	18.90	16.00	D2F	1/16	1-3/16	4-1/2	15/16	1-7/16	4-1/2	134.7
P8020M115	M	80	20.051	19.881	20.87	18.00	C2F	1-9/32	3/16	6-3/4	3/32	1-15/16	5-1/2	216.2
P9020M115	M	90	22.558	22.388	23.43	20.56	C2F	1-9/32	3/16	6-3/4	3/32	1-15/16	5-1/2	246.5
P11220M115	M	112	28.072	27.902	-	26.38	C3	1-9/32	3/16	6-3/4	3/32	1-15/16	5-1/2	273.2
P14420M115	N	144	36.092	35.922	-	34.38	C3	1-11/16	0	8-1/8	1-1/16	2-7/16	6	392.3
P16820M115	N	168	42.108	41.938	-	40.38	C3	1-11/16	0	8-1/8	1-1/16	2-7/16	6	469.0
P19220M115	N	192	48.123	47.953	-	46.25	C3	1-11/16	0	8-1/8	1-1/16	2-7/16	6	551.7
P21620M115	N	216	54.138	53.968	-	52.25	C3	1-11/16	0	8-1/8	1-1/16	2-7/16	6	617.5
FOR BELTS 170mm (6.69 in.) WIDE • 20mm PITCH (20M-170) Face Width (F) = 7-1/2														
P3420M170*	-	34	8.522	8.352	9.45	6.50	MPB1F	1-1/4	6-1/2	6-1/2	2-1/4	2-1/8*	4-1/8	81.4
P3620M170*	-	36	9.023	8.853	9.84	7.00	MPB1F	1-1/4	7	6-1/2	2-1/4	2-1/8*	4-1/2	92.6
P3820M170	J	38	9.524	9.354	10.43	7.56	A1F	15/16	2-3/16	4-1/2	2-1/16	1-7/16	4-1/2	71.7
P4020M170	J	40	10.026	9.856	10.83	8.00	A1F	15/16	2-3/16	4-1/2	2-1/16	1-7/16	4-1/2	79.8
P4420M170	J	44	11.028	10.858	11.81	8.93	A1F	15/16	2-3/16	4-1/2	2-1/16	1-7/16	4-1/2	96.5
P4820M170	M	48	12.031	11.861	12.80	9.93	A1F	1/32	1-1/2	6-3/4	23/32	1-15/16	5-1/2	148.0
P5220M170	M	52	13.033	12.863	13.76	10.88	A1F	1/32	1-1/2	6-3/4	23/32	1-15/16	5-1/2	175.3
P5620M170	M	56	14.036	13.866	14.76	11.88	A1F	1/32	1-1/2	6-3/4	23/32	1-15/16	5-1/2	204.4
P6020M170	M	60	15.038	14.868	15.93	13.06	A1F	1/32	1-1/2	6-3/4	23/32	1-15/16	5-1/2	233.3
P6420M170	M	64	16.041	15.871	16.93	14.06	A2F	1/32	1-1/2	6-3/4	23/32	1-15/16	5-1/2	209.5
P6820M170	M	68	17.044	16.874	17.93	15.00	A2F	1/32	1-1/2	6-3/4	23/32	1-15/16	5-1/2	222.0
P7220M170	M	72	18.046	17.876	18.90	16.00	A2F	1/32	1-1/2	6-3/4	23/32	1-15/16	5-1/2	230.2
P8020M170	M	80	20.051	19.881	20.87	18.00	A2F	1/32	1-1/2	6-3/4	23/32	1-15/16	5-1/2	248.8
P9020M170	M	90	22.558	22.388	23.43	20.56	A2F	1/32	1-1/2	6-3/4	23/32	1-15/16	5-1/2	284.5
P11220M170	N	112	28.072	27.902	-	26.25	C3	7/16	1-1/4	8-1/8	3/16	2-7/16	6	360.7
P14420M170	N	144	36.092	35.922	-	34.25	C3	7/16	1-1/4	8-1/8	3/16	2-7/16	6	478.0
P16820M170	P	168	42.108	41.938	-	40.38	C3	1-1/16	9-3/8	1-1/16	2-15/16	7	658.3	
P19220M170	P	192	48.123	47.953	-	46.25	C3	1-1/16	9-3/8	1-1/16	2-15/16	7	739.1	
P21620M170	P	216	54.138	53.968	-	52.25	C3	1-1/16	9-3/8	1-1/16	2-15/16	7	900.6	

Weights for all Sure-Grip bushed items are approximate and include the bushing.

\*Bored-To-Suit construction, minimum plain bore with 2 setscrews.

# Synchronous 'QD' Sprocket 20M

## Dimensions

PRODUCT NO.	BUSH-ING	NO. OF TEETH	DIAMETERS				TYPE	DIMENSIONS (INCHES)				BORE		WT.
			P.D.	O.D.		I.D.		E	K	L	M	Min.	Max.	
				Sprocket	Flange									
FOR BELTS 230mm (9.06in.) WIDE • 20mm PITCH (20M-230) Face Width (F) = 9-7/8														
P3820M230*	-	38	9.524	9.354	10.43	7.56	MPB1F	1-1/4	7-1/2	7-1/2	3-5/8	2-7/8*	5-1/4	119.9
P4020M230*	-	40	10.026	9.856	10.83	8.00	MPB1F	1-1/4	8	8-1/2	2-5/8	2-7/8*	5-7/8	146.8
P4420M230*	-	44	11.028	10.858	11.81	8.93	MPB1F	1-1/4	8-1/4	8-1/2	2-5/8	2-7/8*	6	179.6
P4820M230	M	48	12.031	11.861	12.80	9.93	A1F	17/32	2	6-3/4	2-19/32	1-15/16	5-1/2	163.6
P5220M230	M	52	13.033	12.863	13.76	10.88	A1F	17/32	2	6-3/4	2-19/32	1-15/16	5-1/2	193.0
P5620M230	M	56	14.036	13.866	14.76	11.88	A1F	17/32	2	6-3/4	2-19/32	1-15/16	5-1/2	223.5
P6020M230	M	60	15.038	14.868	15.93	13.06	A1F	17/32	2	6-3/4	2-19/32	1-15/16	5-1/2	251.8
P6420M230	M	64	16.041	15.871	16.93	14.06	A2F	17/32	2	6-3/4	2-19/32	1-15/16	5-1/2	232.7
P6820M230	N	68	17.044	16.874	17.93	15.00	A1F	1/8	1-13/16	8-1/8	1-5/8	2-7/16	6	375.3
P7220M230	N	72	18.046	17.876	18.90	16.00	A2F	1/8	1-13/16	8-1/8	1-5/8	2-7/16	6	338.7
P8020M230	N	80	20.051	19.881	20.37	18.00	A2F	1/8	1-13/16	8-1/8	1-5/8	2-7/16	6	331.3
P9020M230	N	90	22.558	22.388	23.43	20.56	A2F	1/8	1-13/16	8-1/8	1-5/8	2-7/16	6	370.2
P11220M230	N	112	28.072	27.902	-	26.25	A3	1/8	1-13/16	8-1/8	1-5/8	2-7/16	6	408.6
P14420M230	P	144	36.092	35.922	-	34.25	D3	9/16	1-5/16	9-3/8	1-1/16	2-15/16	6	622.1
P16820M230	P	168	42.018	41.938	-	40.25	D3	9/16	1-5/16	9-3/8	1-1/16	2-15/16	7	741.8
P19220M230	W	192	48.123	47.953	-	46.00	C3	3/4	1-1/2	11-3/8	3/4	4-1/4	8-1/2	1111.1
P21620M230	W	216	54.138	53.968	-	52.00	C3	3/4	1-1/2	11-3/8	3/4	4-1/4	8-1/2	1237.5
FOR BELTS 290mm (11.42in.) WIDE • 20mm PITCH (20m-290) Face Width (F) =12-1/4														
P5220M290	N	52	13.033	12.863	13.76	10.88	A1F	13/16	2-1/2	8-1/8	3-5/16	2-7/16	6	238.0
P5620M290	N	56	14.036	13.866	14.76	11.88	A1F	13/16	2-1/2	8-1/8	3-5/16	2-7/16	6	275.0
P6020M290	N	60	15.038	14.868	15.93	13.06	A1F	13/16	2-1/2	8-1/8	3-5/16	2-7/16	6	309.0
P6420M290	N	64	16.041	15.871	16.93	14.06	A1F	13/16	2-1/2	8-1/8	3-5/16	2-7/16	6	350.7
P6820M290	N	68	17.044	16.874	17.93	15.00	A1F	13/16	2-1/2	8-1/8	3-5/16	2-7/16	6	397.3
P7220M290	N	72	18.046	17.876	18.89	16.00	A2F	13/16	2-1/2	8-1/8	3-5/16	2-7/16	6	362.2
P8020M290	N	80	20.051	19.881	20.87	18.00	A2F	13/16	2-1/2	8-1/8	3-5/16	2-7/16	6	365.7
P9020M290	N	90	22.558	22.388	23.43	20.56	A2F	13/16	2-1/2	8-1/8	3-5/16	2-7/16	6	411.0
P11220M290	P	112	28.072	27.902	-	26.12	A2	5/8	2-1/2	9-3/8	2-1/4	2-15/16	7	600.9
P14420M290	P	144	36.092	35.922	-	34.00	A3	5/8	2-1/2	9-3/8	2-1/4	2-15/16	7	724.9
P16820M290	W	168	42.108	41.938	-	40.00	A3	7/16	2-11/16	11-3/8	7/16	4-1/4	8-1/2	1067.2
P19220M290	W	192	48.123	47.953	-	46.00	A3	7/16	2-11/16	11-3/8	7/16	4-1/4	8-1/2	1236.3
P21620M290	W	216	54.138	53.968	-	52.00	A3	7/16	2-11/16	11-3/8	7/16	4-1/4	8-1/2	1414.9
FOR BELTS 340mm (13.39in.) WIDE • 20mm PITCH (20m-340) Face Width (F) = 14-1/4														
P5220M340	N	52	13.033	12.863	13.76	10.88	A1F	13/16	2-1/2	8-1/8	5-5/16	2-7/16	6	252.8
P5620M340	N	56	14.036	13.866	14.76	11.88	A1F	13/16	2-1/2	8-1/8	5-5/16	2-7/16	6	291.1
P6020M340	N	60	15.038	14.868	15.93	13.06	A1F	13/16	2-1/2	8-1/8	5-5/16	2-7/16	6	324.5
P6420M340	N	64	16.041	15.871	16.93	14.06	A1F	13/16	2-1/2	8-1/8	5-5/16	2-7/16	6	367.4
P6820M340	N	68	17.044	16.874	17.93	15.00	A1F	13/16	2-1/2	8-1/8	5-5/16	2-7/16	6	415.9
P7220M340	N	72	18.046	17.876	18.90	16.00	A2F	13/16	2-1/2	8-1/8	5-5/16	2-7/16	6	382.0
P8020M340	P	80	20.051	19.881	20.87	18.00	A2F	1-5/8	3-1/2	9-3/8	3-1/4	2-15/16	7	494.0
P9020M340	P	90	22.558	22.388	23.43	20.56	A2F	1-5/8	3-1/2	9-3/8	3-1/4	2-15/16	7	513.1
P11220M340	P	112	28.072	27.902	-	26.12	A2	1-5/8	3-1/2	9-3/8	3-1/4	2-15/16	7	630.6
P14420M340	W	144	36.092	35.922	-	34.00	A3	3/8	2-5/8	11-3/8	2-1/2	4-1/4	8-1/2	989.4
P16820M340	W	168	42.108	41.938	-	40.00	A3	3/8	2-5/8	11-3/8	2-1/2	4-1/4	8-1/2	1123.2
P19220M340	S	192	48.123	47.953	-	46.00	D3	2-1/2	1-1/8	15-3/4	1	6	10	1710.8
P21620M340	S	216	54.138	53.968	-	51.88	D3	2-1/2	1-1/8	15-3/4	1	6	10	1897.9

Weights for all Sure-Grip bushed items are approximate and include the bushing.  
 \*Bored-To-Suit construction, minimum plain bore with 2 setscrews.



**DISTRIBUIDOR AUTORIZADO** MEX (55) 53 63 23 31 MTY (81) 83 54 10 18  
 QRO (442) 1 95 72 60 ventas@industrialmagza.com

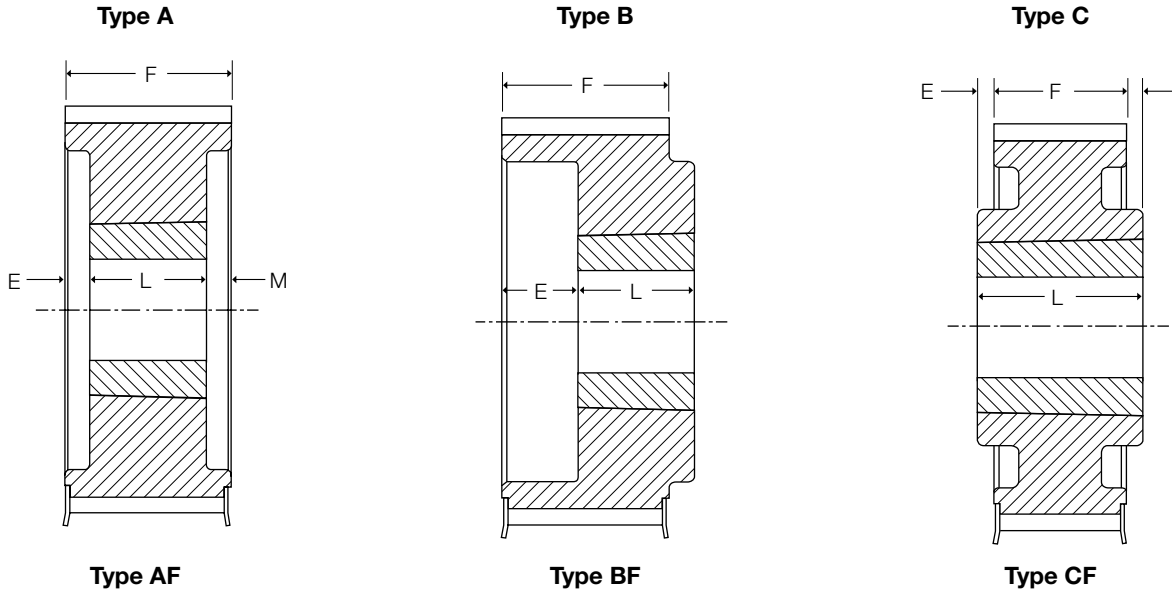


# Synchronous Taper-Lock® Sprocket 8M

## Dimensions

### SPROCKET TYPES

The synchronous sprockets listed in the tables below are all stock sizes. All dimensions given are for the sprocket with the Taper-Lock bushing in place and are in inches only.



The figure following the sketch reference letter in the "Type" column indicates the construction of the sprocket. (1 = Solid, 2 = Web, and 3 = Arms), and the letter "F" indicates that the sprocket has flanges.

PRODUCT NO.	BUSHING	NO. OF TEETH	DIAMETERS				TYPE	DIMENSIONS (INCHES)			BORE		WT.
			P.D.	O.D.		I.D.		E	L	M	Min.	Max.	
				Sprocket	Flange								
FOR BELTS 20mm (.79 in.) WIDE • 8mm PITCH (8M-20) Face Width (F) = 1-1/8													
P228M20TL	TL1108	22.00	2.206	2.152	2.56	0.25	A1F	0.25	0.88	0	0.50	1.12	0.5
P248M20TL	TL1108	24.00	2.406	2.352	2.76	1.75	A1F	0	0.88	0.25	0.50	1.12	0.7
P268M20TL	TL1108	26.00	2.607	2.553	2.95	1.88	A1F	0	0.88	0.25	0.50	1.12	0.9
P288M20TL	TL1108	28.00	2.807	2.759	3.15	2.06	A1F	0	0.88	0.25	0.50	1.12	1.2
P308M20TL	TL1210	30.00	3.008	2.958	3.35	2.18	A1F	0.12	1.00	0	0.50	1.25	1.2
P328M20TL	TL1210	32.00	3.208	3.156	3.54	2.56	A1F	0.12	1.00	0	0.50	1.25	1.4
P348M20TL	TL1610	34.00	3.409	3.355	3.82	2.75	A1F	0.12	1.00	0	0.50	1.69	1.4
P368M20TL	TL1610	36.00	3.609	3.555	3.94	2.69	A1F	0.12	1.00	0	0.50	1.69	1.7
P388M20TL	TL1610	38.00	3.810	3.756	4.13	2.94	A1F	0.12	1.00	0	0.50	1.69	2.0
P408M20TL	TL1610	40.00	4.010	3.956	4.33	3.00	A1F	0.12	1.00	0	0.50	1.69	2.4
P448M20TL	TL2012	44.00	4.411	4.357	4.76	0	B1F	0	1.25	0.12	0.50	2.12	2.6
P488M20TL	TL2012	48.00	4.812	4.758	5.16	0	B1F	0	1.25	0.12	0.50	2.12	3.4
P568M20TL	TL2012	56.00	5.614	5.560	5.95	0	B1F	0	1.25	0.12	0.50	2.12	5.3
P648M20TL	TL2012	64.00	6.416	6.362	6.77	0	B1F	0	1.25	0.12	0.50	2.12	7.5
P728M20TL	TL2012	72.00	7.218	7.164	7.60	0	B1F	0	1.25	0.12	0.50	2.12	9.9
P808M20TL	TL2517	80.00	8.020	7.966	8.39	0	B1F	0	1.75	0.62	0.50	2.69	11.9
P908M20TL	TL2517	90.00	9.023	8.969	0	7.88	B2	0	1.75	0.62	0.50	2.69	12.5

Weights for all Taper-Lock bushed items are approximate and include the bushing.  
 © Registered Trademark of Rockwell Automation-Dodge.



DISTRIBUIDOR  
AUTORIZADO

MEX (55) 53 63 23 31 MTY (81) 83 54 10 18  
 QRO (442) 1 95 72 60 ventas@industrialmagza.com





# Synchronous Taper-Lock® Sprocket 8M

## Dimensions

PRODUCT NO.	BUSH-ING	NO. OF TEETH	DIAMETERS				TYPE	DIMENSIONS (INCHES)			BORE		WT.
			P.D.	O.D.		I.D.		E	L	M	Min.	Max.	
				Sprocket	Flange								
FOR BELTS 30mm (1.18 in ) WIDE. 8mm PITCH (8M-30) Face Width (F) = 1-1/2													
P228M30TL	TL1108	22.00	2.206	2.152	2.56	0	A1F	0.63	0.88	0	0.50	1.12	0.7
P248M30TL	TL1108	24.00	2.406	2.352	2.76	1.34	A1F	0	0.88	0.63	0.50	1.12	0.9
P268M30TL	TL1108	26.00	2.607	2.553	2.95	1.88	A1F	0	0.88	0.63	0.50	1.12	1.2
P288M30TL	TL1108	28.00	2.807	2.759	3.15	1.57	A1F	0.12	0.88	0.50	0.50	1.12	1.6
P308M30TL	TL1210	30.00	3.008	2.958	3.35	2.25	A1F	0.12	1.00	0.38	0.50	1.25	1.5
P328M30TL	TL1210	32.00	3.208	3.156	3.54	2.38	A1F	0.12	1.00	0.38	0.50	1.25	1.9
P348M30TL	TL1610	34.00	3.409	3.355	3.82	2.75	A1F	0.12	1.00	0.38	0.50	1.69	2.3
P368M30TL	TL1610	36.00	3.609	3.555	3.94	2.81	A1F	0.12	1.00	0.38	0.50	1.69	2.2
P388M30TL	TL1610	38.00	3.810	3.756	4.13	3.00	A1F	0.12	1.00	0.38	0.50	1.69	2.7
P408M30TL	TL2012	40.00	4.010	3.956	4.33	3.19	A1F	0	1.25	0.25	0.50	2.12	2.4
P448M30TL	TL2012	44.00	4.411	4.357	4.76	3.50	A1F	0	1.25	0.25	0.50	2.12	3.4
P488M30TL	TL2012	48.00	4.812	4.758	5.16	3.81	A1F	0	1.25	0.25	0.50	2.12	4.5
P568M30TL	TL2012	56.00	5.614	5.560	5.95	4.56	A1F	0	1.25	0.25	0.50	2.12	7.0
P648M30TL	TL2517	64.00	6.416	6.362	6.77	0	B1F	0	1.75	0.25	0.50	2.69	8.9
P728M30TL	TL2517	72.00	7.218	7.164	7.60	0	B1F	0	1.75	0.25	0.50	2.69	12.1
P808M30TL	TL2517	80.00	8.020	7.966	8.39	0	B1F	0	1.75	0.25	0.50	2.69	15.8
P908M30TL	TL2517	90.00	9.023	8.969	0	7.88	C2	0.12	1.75	0.12	0.50	2.69	13.8
P1128M30TL	TL2517	112.00	11.229	11.175	0	10.00	C2	0.12	1.75	0.12	0.50	2.69	23.5
FOR BELTS 50mm (1.97 in ) WIDE. 8mm PITCH (8M-50) Face Width (F) = 2-3/8													
P288M50TL	TL1108	28.00	2.807	2.759	3.15	0	A1F	0	0.88	1.50	0.50	1.12	2.1
P308M50TL	TL1210	30.00	3.008	2.958	3.35	0	A1F	0	1.00	1.38	0.50	1.25	2.2
P328M50TL	TL1210	32.00	3.208	3.156	3.54	0	A1F	0	1.00	1.38	0.50	1.25	2.1
P348M50TL	TL1610	34.00	3.409	3.355	3.82	2.75	A1F	0	1.00	1.38	0.50	1.69	2.1
P368M50TL	TL1610	36.00	3.609	3.555	3.94	2.81	A1F	0	1.00	1.38	0.50	1.69	2.7
P388M50TL	TL1610	38.00	3.810	3.756	4.13	3.00	A1F	0	1.00	1.38	0.50	1.69	3.1
P408M50TL	TL2012	40.00	4.010	3.956	4.33	3.00	A1F	0	1.25	1.12	0.50	2.12	3.4
P448M50TL	TL2012	44.00	4.411	4.357	4.76	3.50	A1F	0	1.25	1.12	0.50	2.12	4.3
P488M50TL	TL2012	48.00	4.812	4.758	5.16	3.75	A1F	0	1.25	1.12	0.50	2.12	5.5
P568M50TL	TL2517	56.00	5.614	5.560	5.95	4.62	A1F	0	1.75	0.62	0.50	2.69	8.1
P648M50TL	TL2517	64.00	6.416	6.362	6.77	5.40	A1F	0	1.75	0.62	0.50	2.69	11.7
P728M50TL	TL2517	72.00	7.218	7.164	7.60	6.19	A1F	0	1.75	0.62	0.50	2.69	15.7
P808M50TL	TL2517	80.00	8.020	7.966	8.39	6.88	A1F	0	1.75	0.62	0.50	2.69	20.3
P908M50TL	TL3020	90.00	9.023	8.969	0	7.88	A1	0	2.00	0.38	0.88	3.25	31.7
P1128M50TL	TL3020	112.00	11.229	11.175	0	10.00	A2	0	2.00	0.38	0.88	3.25	34.7
FOR BELTS 85mm (3.35 in ) WIDE. 8mm PITCH (8M-85) Face Width (F) = 3-3/4													
P348M85TL	TL1615	34.00	3.409	3.355	3.82	0	A1F	0.75	1.50	1.50	0.50	1.69	3.3
P368M85TL	TL1615	36.00	3.609	3.555	3.94	2.88	A1F	0.75	1.50	1.50	0.50	1.69	4.2
P388M85TL	TL1610	38.00	3.810	3.756	4.13	3.00	A1F	1.38	1.00	1.38	0.50	1.69	4.7
P408M85TL	TL2012	40.00	4.010	3.956	4.33	3.00	A1F	1.25	1.25	1.25	0.50	2.12	4.7
P448M85TL	TL2012	44.00	4.411	4.357	4.76	3.50	A1F	1.25	1.25	1.25	0.50	2.12	6.4
P488M85TL	TL2012	48.00	4.812	4.758	5.16	3.75	A1F	1.25	1.25	1.25	0.50	2.12	8.0
P568M85TL	TL2517	56.00	5.614	5.560	5.95	4.56	A1F	1.00	1.75	1.00	0.50	2.69	11.0
P648M85TL	TL2517	64.00	6.416	6.362	6.77	5.38	A1F	1.00	1.75	1.00	0.50	2.69	15.0
P728M85TL	TL3020	72.00	7.218	7.164	7.60	6.19	A1F	0.88	2.00	0.88	0.88	3.25	18.2
P808M85TL	TL3020	80.00	8.020	7.966	8.39	6.88	A1F	0.88	2.00	0.88	0.88	3.25	24.2
P908M85TL	TL3020	90.00	9.023	8.969	0	7.88	A1	0.88	2.00	0.88	0.88	3.25	31.9
P1128M85TL	TL3020	112.00	11.229	11.175	0	10.00	A2	0.88	2.00	0.88	0.88	3.25	34.6

Weights for all Taper-Lock bushed items are approximate and include the bushing.

© Registered Trademark of Rockwell Automation-Dodge.



DISTRIBUIDOR  
AUTORIZADO

MEX (55) 53 63 23 31 MTY (81) 83 54 10 18  
QRO (442) 1 95 72 60 ventas@industrialmagza.com



# Synchronous Taper-Lock® Sprocket 14M

## Dimensions

PRODUCT NO.	BUSH-ING	NO. OF TEETH	DIAMETERS				TYPE	DIMENSIONS (INCHES)			BORE		WT.
			P.D.	O.D.		I.D.		E	L	M	Min.	Max.	
				Sprocket	Flange								
FOR BELTS 40mm (1.57 in ) WIDE. 14mm PITCH (14M-40) Face Width (F) = 2-1/8													
P2814M40TL	TL2012	28.00	4.912	4.808	5.56	3.12	A1F	0	1.25	0.88	0.50	2.12	3.5
P2914M40TL	TL2012	29.00	5.088	4.983	5.56	3.12	A1F	0	1.25	0.88	0.50	2.12	3.9
P3014M40TL	TL2012	30.00	5.263	5.157	6.09	3.92	A1F	0	1.25	0.88	0.50	2.12	6.4
P3214M40TL	TL2012	32.00	5.614	5.507	6.09	3.92	A1F	0	1.25	0.88	0.50	2.12	8.0
P3414M40TL	TL2012	34.00	5.965	5.858	6.50	4.06	A1F	0	1.25	0.88	0.50	2.12	9.4
P3614M40TL	TL2517	36.00	6.316	6.208	6.87	4.84	A1F	0	1.75	0.38	0.50	2.69	10.5
P3814M40TL	TL2517	38.00	6.667	6.559	7.22	4.94	A1F	0	1.75	0.38	0.50	2.69	12.2
P4014M40TL	TL2517	40.00	7.018	6.909	7.50	5.06	A1F	0	1.75	0.38	0.50	2.69	14.2
P4414M40TL	TL2517	44.00	7.720	7.610	8.34	6.12	A1F	0	1.75	0.38	0.50	2.69	17.6
P4814M40TL	TL2517	48.00	8.421	8.311	8.90	6.50	A1F	0	1.75	0.38	0.50	2.69	22.0
P5214M40TL	TL2517	52.00	9.123	9.013	9.68	7.18	A1F	0	1.75	0.38	0.50	2.69	26.5
P5614M40TL	TL2517	56.00	9.825	9.715	10.38	7.88	A2F	0	1.75	0.38	0.50	2.69	21.5
P6014M40TL	TL3020	60.00	10.527	10.417	11.06	8.50	A2F	0	2.00	0.12	0.88	3.25	33.7
P6414M40TL	TL3020	64.00	11.229	11.119	11.68	9.25	A2F	0	2.00	0.12	0.88	3.25	36.5
P6814M40TL	TL3020	68.00	11.930	11.820	12.50	10.00	A2F	0	2.00	0.12	0.88	3.25	39.3
P7214M40TL	TL3020	72.00	12.632	12.522	13.19	10.69	A2F	0	2.00	0.12	0.88	3.25	42.6
P8014M40TL	TL3020	80.00	14.036	13.926	14.63	12.12	A3F	0	2.00	0.12	0.88	3.25	38.8
P9014M40TL	TL3020	90.00	15.790	15.680	0	14.50	A3	0	2.00	0.12	0.88	3.25	44.5
P11214M40TL	TL3020	112.00	19.650	19.540	0	18.38	A3	0	2.00	0.12	0.88	3.25	64.9
FOR BELTS 55mm (2.17 in ) WIDE. 14mm PITCH (14M-55) Face Width (F) = 2-3/4													
P2814M55TL	TL2012	28.00	4.912	4.808	5.56	3.12	A1F	0	1.25	1.50	0.50	2.12	7.4
P2914M55TL	TL2012	29.00	5.088	4.983	5.56	3.12	A1F	0	1.25	1.50	0.50	2.12	8.4
P3014M55TL	TL2517	30.00	5.263	5.157	6.09	3.92	A1F	0	1.75	1.00	0.50	2.69	7.2
P3214M55TL	TL2517	32.00	5.614	5.507	6.09	3.92	A1F	0	1.75	1.00	0.50	2.69	9.3
P3414M55TL	TL2517	34.00	5.965	5.858	6.50	4.06	A1F	0	1.75	1.00	0.50	2.69	11.2
P3614M55TL	TL2517	36.00	6.316	6.208	6.87	4.84	A1F	0	1.75	1.00	0.50	2.69	12.4
P3814M55TL	TL2517	38.00	6.667	6.559	7.22	4.94	A1F	0	1.75	1.00	0.50	2.69	14.4
P4014M55TL	TL2517	40.00	7.018	6.909	7.50	5.06	A1F	0	1.75	1.00	0.50	2.69	16.7
P4414M55TL	TL2517	44.00	7.720	7.610	8.34	6.12	A1F	0	1.75	1.00	0.50	2.69	19.9
P4814M55TL	TL3020	48.00	8.421	8.311	8.90	6.50	A1F	0	2.00	0.75	0.88	3.25	29.2
P5214M55TL	TL3020	52.00	9.123	9.013	9.68	7.18	A1F	0	2.00	0.75	0.88	3.25	34.5
P5614M55TL	TL3020	56.00	9.825	9.715	10.38	7.88	A1F	0	2.00	0.75	0.88	3.25	40.1
P6014M55TL	TL3020	60.00	10.527	10.417	11.06	8.50	A1F	0	2.00	0.75	0.88	3.25	46.4
P6414M55TL	TL3020	64.00	11.229	11.119	11.68	9.25	A1F	0	2.00	0.75	0.88	3.25	52.7
P6814M55TL	TL3020	68.00	11.930	11.820	12.50	10.00	A2F	0	2.00	0.75	0.88	3.25	45.5
P7214M55TL	TL3020	72.00	12.632	12.522	13.19	10.69	A2F	0	2.00	0.75	0.88	3.25	49.5
P8014M55TL	TL3020	80.00	14.036	13.926	14.63	12.12	A3F	0	2.00	0.75	0.88	3.25	45.2
P9014M55TL	TL3020	90.00	15.790	15.680	0	14.50	A3	0	2.00	0.75	0.88	3.25	46.1
P11214M55TL	TL3020	112.00	19.650	19.540	0	18.38	A3	0	2.00	0.75	0.88	3.25	69.8

Weights for all Taper-Lock bushed items are approximate and include the bushing.  
 © Registered Trademark of Rockwell Automation-Dodge.



DISTRIBUIDOR MEX (55) 53 63 23 31 MTY (81) 83 54 10 18  
 AUTORIZADO QRO (442) 1 95 72 60 ventas@industrialmagza.com



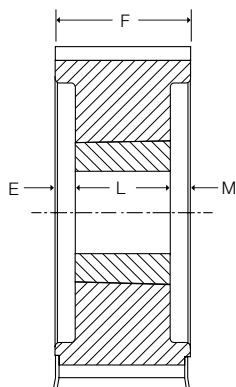
# Synchronous Taper-Lock® Sprocket 14M

## Dimensions

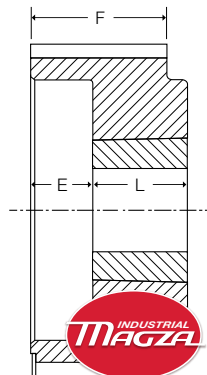
PRODUCT NO.	BUSH-ING	NO. OF TEETH	DIAMETERS				TYPE	DIMENSIONS (INCHES)			BORE		WT.
			P.D.	O.D.		I.D.		E	L	M	Min.	Max.	
				Sprocket	Flange								
FOR BELTS 85mm (3.35 in ) WIDE. 14mm PITCH (14M-85) Face Width (F) = 4													
P2814M85TL	TL2012	28.00	4.912	4.808	5.56	3.12	A1F	0.50	1.25	2.25	0.50	2.12	10.5
P2914M85TL	TL2012	29.00	5.088	4.983	5.56	3.25	A1F	0.50	1.25	2.25	0.50	2.12	11.9
P3014M85TL	TL2517	30.00	5.263	5.157	6.09	3.94	A1F	0.50	1.75	1.75	0.50	2.69	9.7
P3214M85TL	TL2517	32.00	5.614	5.507	6.09	3.94	A1F	0.88	1.75	1.38	0.50	2.69	12.7
P3414M85TL	TL2517	34.00	5.965	5.858	6.50	4.06	A1F	0.88	1.75	1.38	0.50	2.69	15.3
P3614M85TL	TL3020	36.00	6.316	6.208	6.87	4.84	A1F	0.53	2.00	1.47	0.88	3.25	19.3
P3814M85TL	TL3020	38.00	6.667	6.559	7.22	4.94	A1F	0.53	2.00	1.47	0.88	3.25	21.9
P4014M85TL	TL3020	40.00	7.018	6.909	7.50	5.06	A1F	0.53	2.00	1.47	0.88	3.25	25.1
P4414M85TL	TL3020	44.00	7.720	7.610	8.34	6.12	A1F	0.53	2.00	1.47	0.88	3.25	28.4
P4814M85TL	TL3020	48.00	8.421	8.311	8.90	6.50	A1F	0.53	2.00	1.47	0.88	3.25	35.4
P5214M85TL	TL3535	52.00	9.123	9.013	9.68	7.18	A1F	0	3.50	0.50	1.19	3.94	42.9
P5614M85TL	TL3535	56.00	9.825	9.715	10.38	7.88	A1F	0	3.50	0.50	1.19	3.94	52.4
P6014M85TL	TL3535	60.00	10.527	10.417	11.06	8.50	A1F	0	3.50	0.50	1.19	3.94	62.7
P6414M85TL	TL3535	64.00	11.229	11.119	11.68	9.25	A1F	0	3.50	0.50	1.19	3.94	73.6
P6814M85TL	TL3535	68.00	11.930	11.820	12.50	10.00	A1F	0	3.50	0.50	1.19	3.94	64.2
P7214M85TL	TL3535	72.00	12.632	12.522	13.19	10.69	A1F	0	3.50	0.50	1.19	3.94	97.4
P8014M85TL	TL3535	80.00	14.036	13.926	14.63	12.12	A2F	0	3.50	0.50	1.19	3.94	68.9
P9014M85TL	TL3535	90.00	15.790	15.680	0	14.50	A2	0	3.50	0.50	1.19	3.94	69.1
P11214M85TL	TL3535	112.00	19.650	19.540	0	18.25	A3	0	3.50	0.50	1.19	3.94	85.7
FOR BELTS 115mm (4.53 in ) WIDE. 14mm PITCH (14M-115) Face Width (F) = 5-1/4													
P3014M115TL	TL2517	30.00	5.263	5.157	6.09	3.94	A1F	1.75	1.75	1.75	0.50	2.69	13.5
P3214M115TL	TL2517	32.00	5.614	5.507	6.09	3.94	A1F	1.75	1.75	1.75	0.50	2.69	17.3
P3414M115TL	TL2517	34.00	5.965	5.858	6.50	4.06	A1F	1.75	1.75	1.75	0.50	2.69	20.9
P3614M115TL	TL3020	36.00	6.316	6.208	6.87	4.69	A1F	1.62	2.00	1.62	0.88	3.25	18.6
P3814M115TL	TL3020	38.00	6.667	6.559	7.22	4.94	A1F	1.62	2.00	1.62	0.88	3.25	22.5
P4014M115TL	TL3020	40.00	7.018	6.909	7.50	5.06	A1F	1.62	2.00	1.62	0.88	3.25	26.8
P4414M115TL	TL3535	44.00	7.720	7.610	8.34	6.12	A1F	0.88	3.50	0.88	1.19	3.94	30.8
P4814M115TL	TL3535	48.00	8.421	8.311	8.90	6.50	A1F	0.88	3.50	0.88	1.19	3.94	41.1
P5214M115TL	TL4040	52.00	9.123	9.013	9.68	7.18	A1F	0.62	4.00	0.62	1.44	4.44	46.9
P5614M115TL	TL4040	56.00	9.825	9.715	10.38	7.88	A1F	0.62	4.00	0.62	1.44	4.44	58.3
P6014M115TL	TL4040	60.00	10.527	10.417	11.06	8.50	A1F	0.62	4.00	0.62	1.44	4.44	70.9
P6414M115TL	TL4545	64.00	11.229	11.119	11.68	9.25	A1F	0.38	4.50	0.38	1.94	4.94	82.1
P6814M115TL	TL4545	68.00	11.930	11.820	12.50	10.00	A1F	0.38	4.50	0.38	1.94	4.94	97.1
P7214M115TL	TL4545	72.00	12.632	12.522	13.19	10.69	A1F	0.38	4.50	0.38	1.94	4.94	113.3
P8014M115TL	TL4545	80.00	14.036	13.926	14.63	12.12	A2F	0.38	4.50	0.38	1.94	4.94	108.9
P9014M115TL	TL4545	90.00	15.790	15.680	0	14.50	A2	0.38	4.50	0.38	1.94	4.94	112.9
P11214M115TL	TL4545	112.00	19.650	19.540	0	18.25	A3	0.38	4.50	0.38	1.94	4.94	122.4

Weights for all Taper-Lock bushed items are approximate and include the bushing.

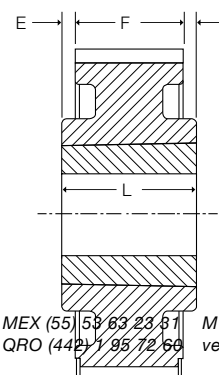
© Registered Trademark of Rockwell Automation-Dodge.



Type A



Type B



Type C



DISTRIBUIDOR  
AUTORIZADO

MEX (55) 58 63 23 81  
QRO (442) 1 95 72 69

MTY (81) 83 54 10 18  
ventas@industrialmagza.com

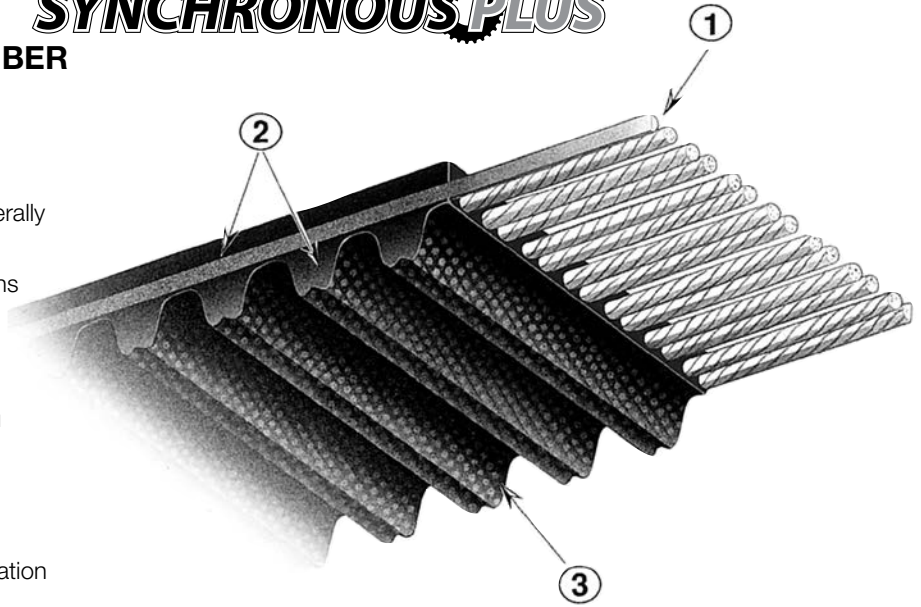
# Synchronous Plus

## Features And Benefits

# SYNCHRONOUS PLUS

### 1. FIBERGLASS TENSION MEMBER

FEATURE	BENEFIT
Excellent Dimensional Stability	Less Maintenance
No Stretch Under Load	Retensioning Generally not Required
Allows for Small Pulley and Short Center Drives	Economical Designs



### 2. MOLDED TEETH & BACKING

FEATURE	BENEFIT
Resists Damaging Environmental Factors	Longer Belt Life
Outstanding Bending Characteristics	Smooth Belt Operation
Superior Molding Characteristics	Smooth Surface Reduces Vibration

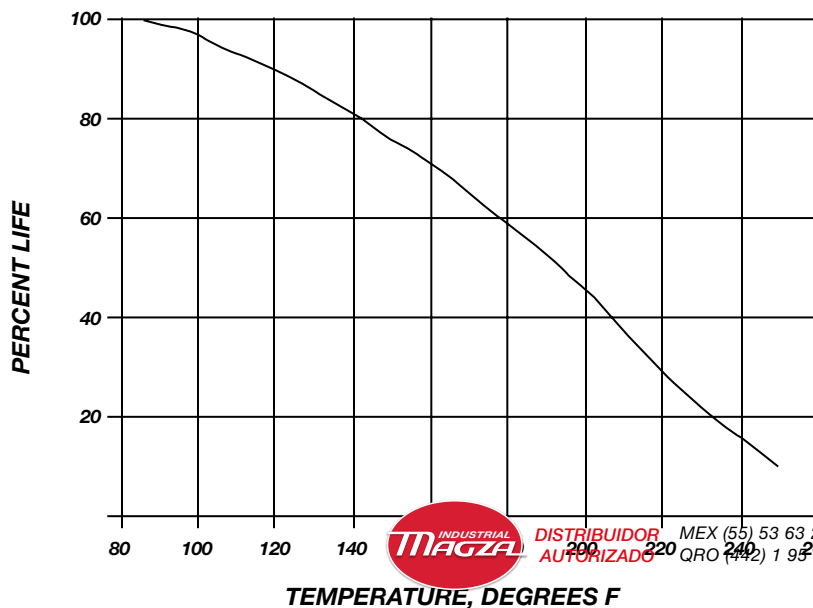
### 3. IMPREGNATED NYLON WEAR JACKET

FEATURE	BENEFIT
Durable Tooth Protection	Extends Belt Life
Minimal Drag/ Reduces Friction	Smooth Precise Operation

Synchronous Plus belts are capable of operating at temperatures of -30°F with no adverse effects.

Any time a belt is used in an elevated ambient temperature, the expected life will decrease. The relationship between ambient temperatures and belt life is shown in the chart below. As an example, at a temperature of 180°F, we would expect life to be 60% of the life that would be obtained at 85°F.

## LIFE vs TEMPERATURE



DISTRIBUIDOR AUTORIZADO MEX (55) 53 63 23 31 QRO (442) 1 95 72 60 MTY (81) 83 54 10 18 ventas@industrialmagza.com

# Tolerances On Belt Length

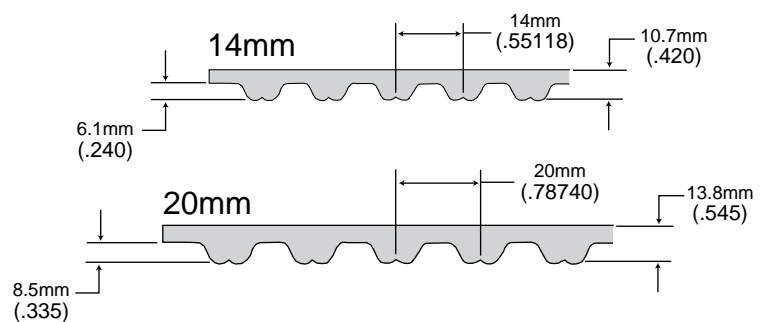
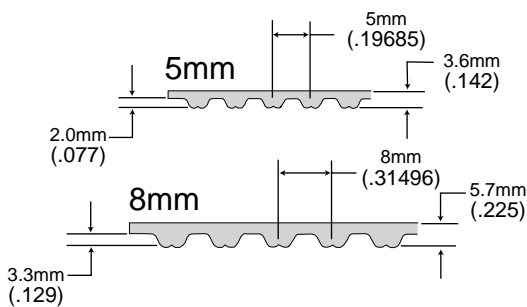
## Dimensions

Belt Length (mm)	*Std. Length Tolerances (Center-to-Center)
Over 254 to 381	±0.23
Over 381 to 508	±0.25
Over 508 to 762	±0.30
Over 762 to 1016	±0.33
Over 1016 to 1270	±0.38
Over 1270 to 1524	±0.41
Over 1524 to 1778	±0.43
Over 1778 to 2032	±0.46
Over 2032 to 2286	±0.48
Over 2286 to 2540	±0.51
Over 2540 to 2794	±0.53
Over 2794 to 3048	±0.56
Over 3048 to 3302	±0.58

Belt Length (mm)	*Std. Length Tolerances (Center-to-Center)
Over 3302 to 3556	±0.61
Over 3556 to 3810	±0.64
Over 3810 to 4064	±0.66
Over 4064 to 4318	±0.69
Over 4318 to 4572	±0.71
Over 4572 to 4826	±0.74
Over 4826 to 5080	±0.76
Over 5080 to 5534	±0.79
Over 5534 to 5588	±0.81
Over 5588 to 5842	±0.84
Over 5842 to 6096	±0.86
Over 6096 to 6350	±0.89
Over 6350 to 6604	±0.91
Over 6604 to 6860	±0.94

\*NOTE: The length tolerances given for positive drive belts refer to the center to center tolerance between belts when checked on a standard measuring fixture. The actual pitch length tolerance is twice the value shown. If a special tension member is used, consult the factory for proper length tolerances.

## BELT DIMENSIONS



## Center Distance Installation and Take-up Allowance

Pitch Length	Decrease in Center Distance for Installation		
	> 1525mm	1525-3050mm	<3050mm
5M Both Flanged	-0.8	-0.9	-
5M One Flanged	-0.6	-0.7	-
8M Both Flanged	-1.4	-1.5	-1.6
8M One Flanged	-0.9	-1.0	-1.1
14M Both Flanged	-2.3	-2.4	-2.5
14M One Flanged	-1.4	-1.5	-1.6
20M Both Flanged	-	-3.2	-3.3
20M One Flanged	-	-2.0	-2.1
(All Pitches)	+0.1	+0.2	+0.3



DISTRIBUIDOR AUTORIZADO MEX (55) 53 63 23 31 QRO (442) 1 95 72 60 MTY (81) 83 54 10 18 ventas@industrialmagza.com



# Synchronous Plus Belts

## Dimensions

### 5MM Pitch Belts

Belt Length & Pitch Code	Pitch Length		No. of Teeth	Width Code†	
				15	25
	in.	mm		.59	.98
300-5M	11.81	300	60	0.04	0.06
355-5M	13.98	355	71	0.05	0.08
375-5M	14.76	375	75	0.05	0.08
400-5M	15.75	400	80	0.05	0.09
405-5M	15.94	405	81	0.05	0.09
425-5M	16.73	425	85	0.05	0.09
450-5M	17.72	450	90	0.06	0.10
500-5M	19.69	500	100	0.06	0.11
535-5M	21.06	535	107	0.07	0.12
565-5M	22.24	565	113	0.07	0.12
575-5M	22.64	575	115	0.07	0.12
580-5M	22.83	580	116	0.07	0.12
600-5M	23.62	600	120	0.08	0.13
625-5M	24.61	625	125	0.08	0.13
650-5M	25.59	650	130	0.08	0.14
700-5M	27.56	700	140	0.09	0.15
750-5M	29.53	750	150	0.10	0.16
800-5M	31.50	800	160	0.10	0.17
815-5M	32.09	815	163	0.11	0.18
850-5M	33.46	850	170	0.11	0.18
900-5M	35.43	900	180	0.12	0.19
1000-5M	39.37	1000	200	0.13	0.20
1150-5M	45.28	1150	230	0.15	0.30
1300-5M	51.18	1300	260	0.17	0.30
1450-5M	57.09	1450	290	0.19	0.30
1600-5M	62.99	1600	320	0.20	0.30
1720-5M	67.72	1720	344	0.20	0.40
1755-5M	69.09	1755	351	0.20	0.40
2100-5M	82.68	2100	420	0.30	0.50

### 14MM Pitch Belts

Belt Length & Pitch Code	Pitch Length		No. of Teeth	Width Code†				
				40	55	85	115	170
	in.	mm		1.57	2.17	3.35	4.53	6.69
966-14M	38.03	966	69	.84	1.15	1.78	2.41	3.56
1190-14M	46.85	1190	85	1.03	1.42	2.20	2.98	4.39
1400-14M	55.12	1400	100	1.21	1.67	2.58	3.50	5.16
1610-14M	63.39	1610	115	1.40	1.92	2.97	4.02	5.95
1778-14M	70.00	1778	127	1.54	2.13	3.28	4.45	6.56
1890-14M	74.41	1890	135	1.64	2.26	3.49	4.73	6.97
2100-14M	82.68	2100	150	1.82	2.51	3.88	5.25	7.75
2310-14M	90.94	2310	165	2.00	2.76	4.26	5.77	8.53
2450-14M	96.46	2450	175	2.13	2.93	4.52	6.13	9.04
2590-14M	101.97	2590	185	2.25	3.10	4.78	6.47	9.55
2800-14M	110.24	2800	200	2.43	3.34	5.17	7.00	10.33
3150-14M	124.02	3150	225	2.73	3.77	5.82	7.87	11.62
3360-14M	132.28	3360	240	2.58	3.98	6.14	8.31	12.26
3500-14M	137.80	3500	250	3.03	4.19	6.46	8.75	12.90
3850-14M	151.58	3850	275	3.33	4.60	7.10	9.62	14.20
4326-14M	170.32	4326	309	3.74	5.17	8.00	10.80	15.96
4578-14M	180.24	4578	327	3.96	5.48	8.45	11.42	16.90
4956-14M	195.12	4956	354	4.29	5.93	9.15	12.36	18.36
5320-14M	209.45	5320	380	4.60	6.37	9.82	13.30	19.82
5740-14M	225.98	5740	410	4.97	6.83	10.55	14.24	21.28
6160-14M	242.52	6160	440	5.33	7.33	11.32	15.34	22.67
6860-14M	270.08	6860	490	5.94	8.16	12.61	17.08	25.25

### 8MM Pitch Belts

Belt Length & Pitch Code	Pitch Length		No. of Teeth	Width Code†			
				20	30	50	85
	in.	mm		.79	1.18	1.97	3.35
480-8M	18.90	480	60	.13	.20	.34	.57
560-8M	22.05	560	70	.16	.23	.39	.66
600-8M	23.62	600	75	.17	.25	.42	.71
640-8M	25.20	640	80	.18	.27	.45	.76
720-8M	28.35	720	90	.20	.30	.50	.85
800-8M	31.50	800	100	.22	.33	.56	.95
880-8M	34.65	880	110	.25	.37	.61	1.04
960-8M	37.80	960	120	.27	.40	.67	1.14
1040-8M	40.94	1040	130	.29	.43	.74	1.23
1120-8M	44.09	1120	140	.31	.47	.78	1.33
1200-8M	47.24	1200	150	.34	.50	.84	1.42
1224-8M	48.19	1224	153	.35	.51	.85	1.43
1280-8M	50.39	1280	160	.36	.53	.89	1.52
1440-8M	56.69	1440	180	.40	.60	1.01	1.71
1600-8M	62.99	1600	200	.45	.67	1.11	1.90
1760-8M	69.29	1760	220	.49	.73	1.23	2.08
1800-8M	70.87	1800	225	.50	.75	1.25	2.13
2000-8M	78.74	2000	250	.56	.83	1.39	2.37
2200-8M	86.61	2200	275	.62	.92	1.53	2.61
2400-8M	94.49	2400	300	.67	1.00	1.67	2.84
2600-8M	102.36	2600	325	.73	1.09	1.81	3.08
2800-8M	110.24	2800	350	.78	1.17	1.95	3.32
3048-8M	120.00	3048	381	.86	1.28	2.12	3.60
3280-8M	129.13	3280	410	.90	1.34	2.22	3.80
3600-8M	141.73	3600	450	1.00	1.50	2.50	4.26
4400-8M	173.23	4400	550	1.20	1.80	3.00	5.02

### 20MM Pitch Belts

Belt Length & Pitch Code	Pitch Length		No. of Teeth	Width Code†				
				115	170	230	290	340
	in.	mm		4.53	6.69	9.06	11.42	13.39
2000-20M	78.74	2000	100	6.0	9.0	12.0	16.0	19.0
2500-20M	98.43	2500	125	8.0	11.0	15.0	20.0	24.0
3400-20M	133.85	3400	170	11.0	16.0	22.0	27.0	32.0
3800-20M	149.60	3800	190	12.0	18.0	24.5	30.5	35.5
4200-20M	165.35	4200	210	13.0	20.0	27.0	34.0	39.0
4600-20M	181.10	4600	230	14.5	21.5	29.5	37.0	43.0
5000-20M	196.85	5000	250	16.0	23.0	32.0	40.0	47.0
5400-20M	212.60	5400	270	17.0	25.0	34.0	43.0	51.0
5800-20M	228.35	5800	290	18.0	27.0	37.0	46.0	54.0
6200-20M	244.09	6200	310	20.0	29.0	39.0	50.0	58.0
6600-20M	259.84	6600	330	21.0	31.0	42.0	53.0	62.0

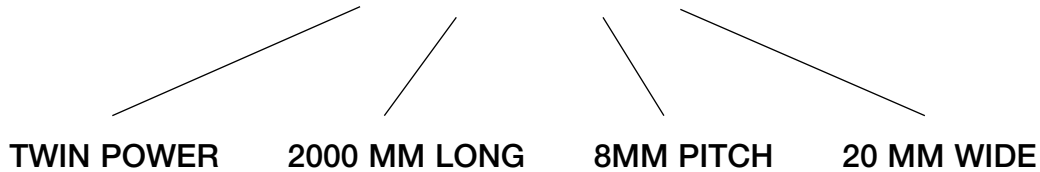
† The bold number is the belt width in millimeters, while the number directly under it is the width in inches.

#### PART NUMBER EXAMPLE:

**2100-14M40** SYNCHRONOUS PLUS BELT

### Sample Belt Designation

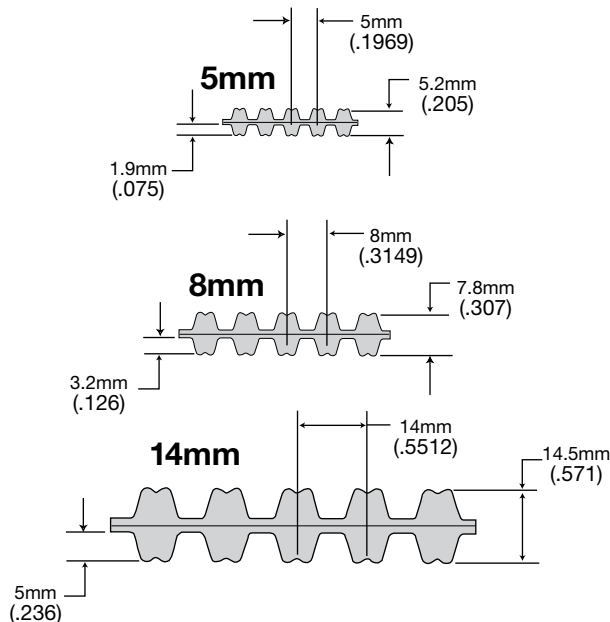
**TP2000-8M-20**



### TWIN POWER RATINGS

- 5M** - .69 Times Standard Synchronous Plus Belting
- 8M** - .81 Times Standard Synchronous Plus Belting
- 14M** - .90 Times Standard Synchronous Plus Belting
- 20M** - Not Available in Twin Power

### DIMENSIONS



Twin Power Belting is available in most lengths offered in standard single sided belts.

(ref. page C1 – 16)



**DISTRIBUIDOR  
AUTORIZADO**

MEX (55) 53 63 23 31    MTY (81) 83 54 10 18  
QRO (442) 1 95 72 60    ventas@industrialmagza.com



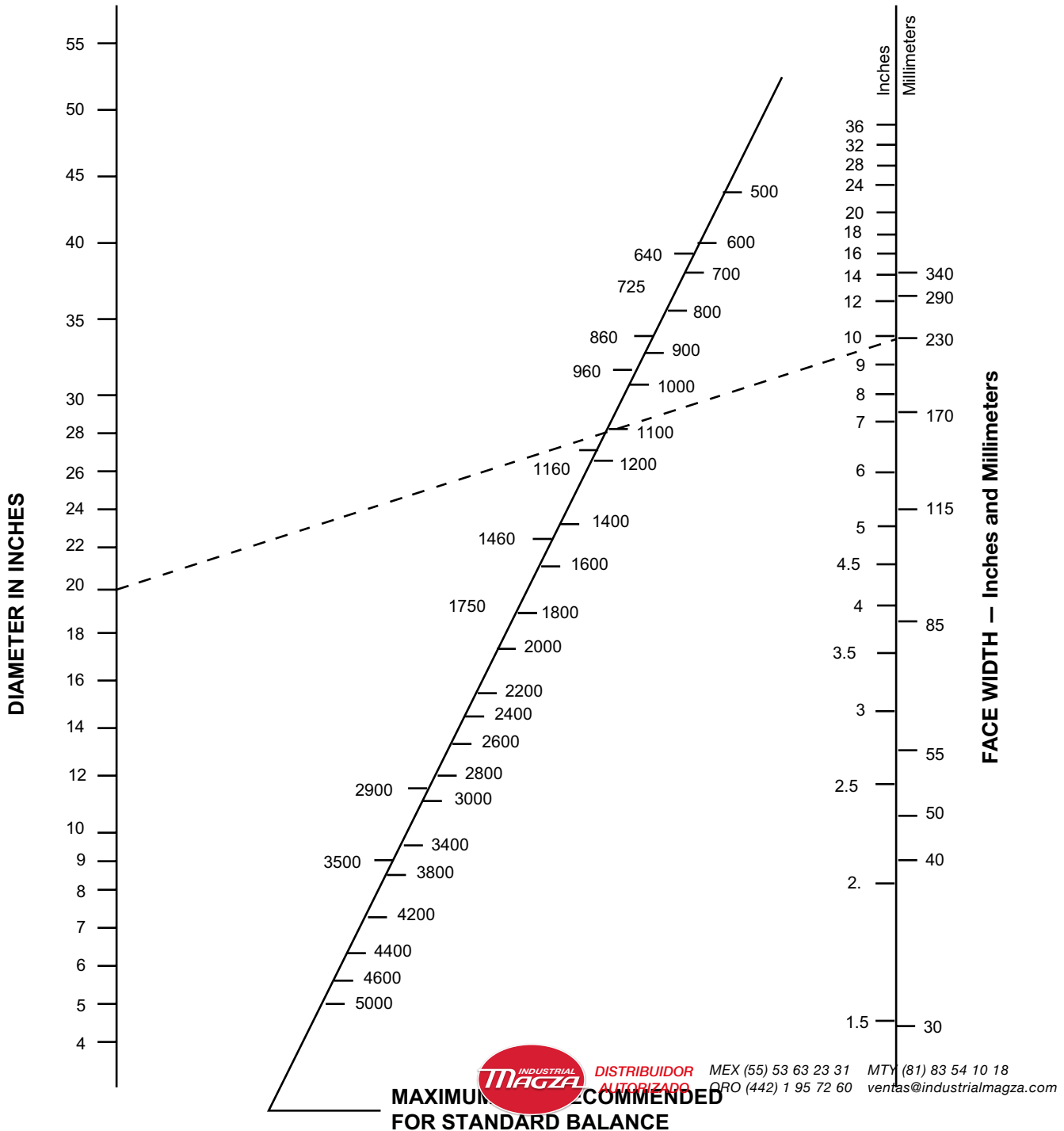
# Balancing Standards

Proper balance of rotating products is important for smooth, vibration-free operation. Standard balance of Wood's stock products is a one plane balance. Depending on the face width, outside diameter, and operating speed a higher precision balance may be required for smooth operation. In those cases a two-plane balance is suggested.

**Note: Two plane balance is for smooth operation only and DOES NOT increase the maximum safe operating speed of the product. Stock cast iron wheels may not exceed 6,550 feet per minute; and ductile iron wheels are limited to 10,000 FPM. (FPM = sheave outside diameter x RPM x .262)**

The nomograph below may be used as a guideline to determine when two-plane balance is recommended. To use this chart lay a straight-edge between the diameter of the part on the left of the chart and the face width of the part on the right. The straight edge will intersect the slanted scale in the center of the chart. When the operating speed is greater than the intersection point a two-plane balance is recommended.

**Example:** If a 20 in. diameter x 10 in. (230 mm) face width sprocket runs faster than 1100 rpm, dynamic balancing is recommended.





## Service Factors

### 1a: driveR (prime mover)

Class of driveR	Class I	Class II	Class III
<b>Momentary Peak Load, % of Rated Load</b>	<b>149%</b>	<b>150 to 249%</b>	<b>250 to 400%</b>
<b>AC Electric Motors: Single Phase</b>			all
<b>Squirrel Cage</b> NEMA design A			
3600 rpm	40 HP up	1-1/2 thru 30 HP	1 thru 3 HP
1800 rpm	100 HP up	5 thru 75 HP	
1200 rpm	15 HP up	3/4 thru 10 HP	
900 rpm	5 HP up	1/2 thru 3 HP	
NEMA design B			
3600 rpm		5 HP up	1-1/2 thru 3 HP
1800 rpm		5 HP up	1 thru 3 HP
1200 rpm		5 HP up	3/4 thru 3 HP
900 rpm		2 HP up	1-1/2 thru 1-1/2 HP
NEMA design C			
1800 rpm		15 HP up	5 thru 10 HP
1200 rpm		7-1/2 HP up	3 and 5 HP
900 rpm		all	
NEMA design D			all
NEMA design F	all		
<b>Wound Rotor</b>			
1800 rpm		20 HP	2 to 15 HP
1200 rpm		15 HP	2 to 10 HP
900 rpm		7-1/2 HP	1 to 5 HP
<b>Synchronous</b>		normal torque	high torque
<b>DC Electric Motors</b>	shunt	compound	series
<b>Engines—int combust</b>	8 cyl up	6 cyl	4 cyl or less
<b>Hydraulic Motors, Line Shafts</b>			all

### 1c: Additional Service Factors

Operating Conditions	
Intermittent or seasonal	Sub 0.1
Add for 10–16 hr service	Add 0.2
Add for 16–24 hr service	Add 0.4
Add for each idler	Add 0.2

### Speed-up Drives

For speed-up drives, add to the basic service factor the additional factor given below.

Speed-up Ratio Range	Additional Factor	Speed-up Ratio Range	Additional Factor
1 to 1.24	none	2.50 to 3.49	.30
1.25 to 1.74	.10	3.50 & over	.40
1.75 to 2.49	.20		

### Unusual Conditions

Additional service factors are required for unusual conditions such as load reversal, heavy shock, plugged motor stop, electrical brake. These should be determined by a transmission specialist.

### 1b: Basic Service Factors of driveN Machines

driveN Machines	Class I	Class II	Class III
<b>Agitators, Mixers</b> liquid (paddle or propeller) semi-liquid	1.2 1.3	1.4 1.5	1.6 1.7
<b>Bakery Machinery, Dough Mixers</b>	1.2	1.4	1.6
<b>Brick and Clay Machinery</b> augers, mixers, granulators pug mills	1.4 1.6	1.6 1.8	1.8 2.0
<b>Centrifuges</b>	1.5	1.7	-
<b>Compressors</b> reciprocating* centrifugal	1.6 1.4	1.8 1.5	2.0 1.6
<b>Conveyors</b> belt, light package; oven belt: ore, coal, sand apron, bucket, elevator, pan flight, screw	1.1 1.2 1.4 1.4	1.2 1.4 1.6 1.6	1.3 1.6 1.8 1.8
<b>Fans, blowers</b> Centrifugal, induced draft exhausters propeller, mine fans, positive blowers	1.4 1.6	1.6 1.8	1.8 2.0
<b>Generators and Exciters</b>	1.4	1.6	1.8
<b>Hammer Mills</b>	1.5	1.7	1.9
<b>Hoists, Elevators</b>	1.4	1.6	1.8
<b>Laundry Machinery</b> general extractors, washers	1.2 1.4	1.4 1.6	1.6 1.8
<b>Line Shafts</b>	1.2	1.4	1.6
<b>Machine Tools</b> drill presses, lathes, screw machines boring mills, grinders milling machines, shapers	1.2 1.3 1.3	1.4 1.5 1.5	1.6 1.7 1.7
<b>Mills</b> ball, rod, pebble, etc	-	1.9	2.1
<b>Paper Machinery</b> agitators, calenders, dryers beaters, jordans, Nash pumps, pulpers	1.2 1.4	1.4 1.6	1.6 1.8
<b>Printing Machinery</b> presses: newspaper, rotary, embossing, flat bed, magazine; linotype machines; cutters; folders	1.2	1.4	1.6
<b>Pumps</b> centrifugal, gear, rotary, pipeline reciprocating*	1.2 1.7	1.4 1.9	1.6 2.1
<b>Rubber Plant Machinery</b>	1.4	1.6	1.8
<b>Saw Mill Machinery</b>	1.4	1.6	1.8
<b>Screens</b> vibrating (shakers) drum, conical	1.3 1.2	1.5 1.4	- -
<b>Textile Machinery</b> looms, spinning frames, twistors warpers, reels	1.3 1.2	1.5 1.4	1.7 -
<b>Woodworking Machinery</b> lathes, band saws jointer, circular saws, planers	1.2 1.2	1.3 1.4	- -

DISTRIBUIDOR MEX (55) 53 63 23 31 MTY (81) 83 54 10 18

AUTORIZADO QRO (442) 1 95 72 60 ventas@industrialmagza.com

\* Note: When the driveN sprocket is used as a flywheel to reduce speed fluctuations a specially constructed sprocket may be required. Obtain the WR<sup>2</sup> of the unit and consult TB Wood's Engineering.

# Pitch Selection

## Chart

### RPM OF FASTEST SHAFT

	1160	1750	3500	100	200	300	400	500	600	800	1000	1400	1600	2000	2400	2800	3200	4000	
MOTOR HORSEPOWER	0.5	5M	5M	5M	5M	5M	5M	5M	5M	5M	5M	5M	5M	5M	5M	5M	5M	5M	5M
	1	5M	5M	5M	8M	5M	5M	5M	5M	5M	5M	5M	5M	5M	5M	5M	5M	5M	5M
	1.5	5M	5M	5M	8M	8M	5M	5M	5M	5M	5M	5M	5M	5M	5M	5M	5M	5M	5M
	2	5M	5M	5M	8M	8M	8M	5M	5M	5M	5M	5M	5M	5M	5M	5M	5M	5M	5M
	3	5M	5M	5M	8M	8M	8M	8M	8M	8M	5M	5M	5M	5M	5M	5M	5M	5M	5M
	5	8M	5M	5M	8M	8M	8M	8M	8M	8M	8M	5M	5M	5M	5M	5M	5M	5M	5M
	7.5	8M	8M	5M	8M	8M	8M	8M	8M	8M	8M	8M	8M	8M	8M	8M	8M	8M	5M
	10	8M	8M	8M	14M	8M	8M	8M	8M	8M	8M	8M	8M	8M	8M	8M	8M	8M	8M
	15	8M	8M	8M	14M	8M	8M	8M	8M	8M	8M	8M	8M	8M	8M	8M	8M	8M	8M
	20	8M	8M	8M	14M	14M	8M	8M	8M	8M	8M	8M	8M	8M	8M	8M	8M	8M	8M
	25	8M	8M	8M	14M	14M	14M	8M	8M	8M	8M	8M	8M	8M	8M	8M	8M	8M	8M
	30	8M	8M	8M	14M	14M	14M	14M	8M	8M	8M	8M	8M	8M	8M	8M	8M	8M	8M
	40	8M	8M	8M	14M	14M	14M	14M	14M	8M	8M	8M	8M	8M	8M	8M	8M	8M	8M
	50	8M	8M	8M	14M	14M	14M	14M	14M	8M	8M	8M	8M	8M	8M	8M	8M	8M	8M
	60	8M	8M	8M	20M	14M	14M	14M	14M	14M	14M	8M	8M	8M	8M	8M	8M	8M	8M
	75	14M	8M	8M	20M	14M	14M	14M	14M	14M	14M	14M	8M	8M	8M	8M	8M	8M	8M
	100	14M	14M	8M	20M	14M	14M	14M	14M	14M	14M	14M	14M	8M	8M	8M	8M	8M	8M
	125	14M	14M	14M	20M	20M	14M	14M	14M	14M	14M	14M	14M	14M	14M	14M	14M	14M	
	150	14M	14M	14M	20M	20M	14M	14M	14M	14M	14M	14M	14M	14M	14M	14M	14M	14M	
	200	14M	14M	14M		20M	20M	20M	14M	14M	14M	14M	14M	14M	14M	14M	14M	14M	
	250	14M	14M			20M	20M	20M	20M	14M	14M	14M	14M	14M					
	300	14M	20M			20M	20M	20M	20M	20M	14M	14M	14M						
	350	20M	20M				20M	20M	20M	20M	20M	20M	20M						
	400	20M	20M				20M	20M	20M	20M	20M	20M	20M						
	500	20M	20M				20M	20M	20M	20M	20M	20M	20M						
	600	20M	20M					20M	20M	20M	20M	20M	20M						
	700	20M	20M						20M	20M	20M	20M	20M						
	800									20M	20M	20M	20M						
	900										20M	20M	20M						



DISTRIBUIDOR  
AUTORIZADO

MEX (55) 53 63 23 31 MTY (81) 83 54 10 18  
QRO (442) 1 95 72 60 ventas@industrialmagza.com



### Minimum Recommended Sprocket Pitch Diameters for General Purpose Electric Motors Synchronous Belts

Motor Horsepower	Motor RPM (60 Cycle and 50 Cycle Electric Motors)					
	575 485*	690 575*	870 725*	1160 950*	1750 1425*	3450 2850*
1/2	-	-	2.0	-	-	-
3/4	-	-	2.2	2.0	-	-
1	2.7	2.3	2.2	2.2	2.0	-
1 1/2	2.7	2.7	2.2	2.2	2.2	2.0
2	3.4	2.7	2.7	2.2	2.2	2.2
3	4.1	3.4	2.7	2.7	2.2	2.2
5	4.1	4.1	3.4	2.7	2.7	2.2
7 1/2	4.7	4.1	4.0	3.4	2.7	2.7
10	5.4	4.7	4.0	4.0	3.4	2.7
15	6.1	5.4	4.7	4.0	4.0	3.4
20	7.4	6.1	5.4	4.7	4.0	4.0
25	8.1	7.4	6.1	5.4	4.0	4.0
30	9.0	8.1	6.1	6.1	4.7	-
40	9.0	9.0	7.4	6.1	5.4	-
50	9.9	9.0	7.6	7.4	6.1	-
60	10.8	9.9	9.0	7.2	6.7	-
75	12.6	11.7	8.6	9.0	7.7	-
100	16.2	13.5	10.8	9.0	7.7	-
125	18.0	16.2	13.5	10.8	9.5#	-
150	19.8	18.0	16.2	11.7	9.5	-
200	19.8	19.8	19.8	-	11.9	-
250	19.8	19.8	-	-	-	-
300	24.3	24.3	-	-	-	-

\* Indicates 50 cycle RPM electric motors. # Frame 444T use 8.6.  
Data in the white area is from NEMA Standards MG-1-14-42 of June 1972 and MG-1-14-43 of January 1968. The data in the shaded area is a composite of various motor manufacturers data. They are usually conservative, and a smaller sprocket may be permitted. Consult the motor manufacturer data.

- BELT LENGTH =  $2 \times C + 1.57 \times (D + d) + [(D - d)^2 / (4 \times C)]$
- †CENTER DISTANCE =  $1/2 \times [A - h \times (D - d)]$

WHERE:

C = Center Distance (in.)<sup>†</sup>      D = P.D. of larger sprocket (in.)  
 L = Belt Length (in.)              d = P.D. of smaller sprocket (in.)  
 A =  $L - 1.57 \times (D + d)$           h = Factor from chart below

D - d A	h	D - d A	h	D - d A	h	D - d A	h
0.00	0.00	0.16	0.08	0.30	0.16	0.43	0.24
0.02	0.01	0.18	0.09	0.32	0.17	0.44	0.25
0.04	0.02	0.20	0.10	0.34	0.18	0.46	0.26
0.06	0.03	0.21	0.11	0.35	0.19	0.47	0.27
0.08	0.04	0.23	0.12	0.37	0.20	0.48	0.28
0.10	0.05	0.25	0.13	0.39	0.21	0.50	0.29
0.12	0.06	0.27	0.14	0.41	0.22	-	-
0.14	0.07	0.29	0.15	0.43	0.23	-	-

INDUSTRIAL MAGZA  
 DISTRIBUIDOR AUTORIZADO  
 MEX (55) 53 63 23 31 MTY (81) 83 54 10 18  
 QRO (442) 1 95 72 60 ventas@industrialmagza.com

<sup>†</sup>Center distances must be fixed and rigid.

# Synchronous Plus

## Drive Selection

### Standard Motor Speed - Reduction or 1:1 Ratio Drives

Example: A 75 HP 1160 RPM NEMA B motor is driving a liquid material agitator operating at 900 RPM, 24 hours a day. Motor shaft is 2-7/8" diameter, agitator shaft is 2-3/4", center distance is 44".

Procedure	Example																		
<b>Step #1: Calculate the Design Horsepower</b> DHP = DriveR HP x service factor (page C1-19)	Service factor liquid agitator = 1.4 Adder for 16-24 hours/day = .4 DHP = 75 HP x 1.8 sf = 135																		
<b>Step #2: Choose the Belt Pitch</b> Belt Pitch Selection Guide (page C1-20)	75 HP and 1160 RPM indicates the use of 14M pitch																		
<b>Step #3: Check NEMA recommended minimum sprocket pitch diameter</b> (page C1-21)	NEMA minimum for a 75 HP 1160 RPM motor 9.0" diameter sprocket																		
<b>Step #4: Calculate Speed Ratio</b> Speed Ratio = Faster RPM / Slower RPM	Speed ratio = 1160 RPM / 900 RPM = 1.29																		
<b>Step #5: In the Drive Selection Tables corresponding to the correct belt pitch, locate the drive line with the same ratio. In the event of multiple drive lines, drives using larger diameters are usually more economical.</b>	Drive lines 68, 69, and 70 all are 1.29 ratio. Line 68 and 70: The driver is below NEMA recommended. Use drive line 69.																		
<b>Step #6: Note the following information from the drive line:</b> <b>Number teeth DriveR</b> <b>Number teeth DriveN</b> <b>Actual RPM</b> - Under corresponding motor RPM <b>Raw HP for belt width</b> - Under corresponding motor RPM (When considering belt width, refer to design HP calculation) <b>Select the desired CD</b> - To the right of the RPM and HP <b>Belt Length Factor</b> - Shaded above the CD <b>Belt Length</b> - Column header above the CD	From Line 69 Number teeth DriveR = 56 Number teeth DriveN = 72 DriveN speed @ 902 when DriveR @ 1160 RPM Step #1 the DHP is 135, 85 mm wide = 151.4 HP CD = 44.35" Belt length factor = 1.05 Belt length = 3150																		
<b>Step #7: Calculate the Corrected HP for the Drive</b> CHP = Raw HP x Belt Length Factor Compare the CHP to the DHP and pick the belt width	85mm wide – CHP = 151.4 x 1.05 = 158.97 85mm meets our DHP and is the belt to use.																		
<b>Step #8: Check the Dynamic Balance recommendations</b> Reference Chart (page C1-18)	OK as standard: P56-14M-85 static balance OK as standard: P72-14M-85 static balance																		
<b>Step #9: Specify drive components</b> Reference component dimensional page for Product Number	<table border="1"> <thead> <tr> <th>Item</th> <th>Product No.</th> <th>Ref. Page</th> </tr> </thead> <tbody> <tr> <td>DR Sprocket:</td> <td>P56-14M-85</td> <td>C1-7</td> </tr> <tr> <td>DR Bushing:</td> <td>F x 2-7/8" F278</td> <td>A1-5</td> </tr> <tr> <td>DN Sprocket:</td> <td>P72-14M-85</td> <td>C1-7</td> </tr> <tr> <td>DN Bushing:</td> <td>F x 2-3/4" F234</td> <td>A1-5</td> </tr> <tr> <td>Belt:</td> <td>3150-14M-85</td> <td>C1-16</td> </tr> </tbody> </table>	Item	Product No.	Ref. Page	DR Sprocket:	P56-14M-85	C1-7	DR Bushing:	F x 2-7/8" F278	A1-5	DN Sprocket:	P72-14M-85	C1-7	DN Bushing:	F x 2-3/4" F234	A1-5	Belt:	3150-14M-85	C1-16
Item	Product No.	Ref. Page																	
DR Sprocket:	P56-14M-85	C1-7																	
DR Bushing:	F x 2-7/8" F278	A1-5																	
DN Sprocket:	P72-14M-85	C1-7																	
DN Bushing:	F x 2-3/4" F234	A1-5																	
Belt:	3150-14M-85	C1-16																	



**DISTRIBUIDOR AUTORIZADO** MEX (55) 53 63 23 31 MTY (81) 83 54 10 18  
 QRO (442) 1 95 72 60 ventas@industrialmagza.com



### Speeds Other than Common Motor Speeds and Speed-up Applications

Example: A 20 HP 1750 RPM NEMA B motor C-face mounted to a 15 : 1 gear reducer with an output of 117 RPM is driving an ore belt conveyor operating at 130 RPM, 15 hours a day.  
Reducer shaft is 3" diameter, mixer shaft is 3-1/4", approximate center distance is 40".

Procedure	Example																							
<b>Step #1: Calculate the Design Horsepower</b> DHP = DriveR HP x service factor (page C1-19)	Service factor ore belt conveyor = 1.4 Add .2 for 15 hours a day Adder for 1.11 ratio speed-up = none DHP = 20 HP x 1.6 sf = 32																							
<b>Step #2: Choose the Belt Pitch</b> Belt Pitch Selection Guide (page C1-20)	20 HP and 117 RPM indicates the use of 14M pitch																							
<b>Step #3: Check NEMA recommended minimum sprocket pitch diameter</b> (page C1-21)	Does not apply – Driver not a NEMA motor Driver shaft – Reducer																							
<b>Step #4: Calculate Speed Ratio</b> Speed Ratio = Faster RPM / Slower RPM	Speed ratio = 130 RPM / 117 RPM = 1.11																							
<b>Step #5: In the Drive Selection Tables corresponding to the correct belt pitch, locate the drive line with the same ratio. In the event of multiple drive lines, drives using larger diameters are usually more economical.</b>	Drive lines 35 & 36 are both 1.11 ratio Using the guideline of larger diameter being more economical, use line 36.																							
<b>Step #6: Note the following information from the drive line:</b> Number teeth DriveR Number teeth DriveN Select the desired CD - To the right of the RPM and HP Belt Length Factor - Shaded above the CD Belt Length - Column header above the CD	From Line 36 Number teeth DriveR = 80 Number teeth DriveN = 72 CD = 41.06" Belt length factor = 1.05 Belt length = 3150																							
<b>Step #7: In the HP Rating Tables, following the Drive Selection Tables, locate the proper charts for the belt pitch in use. Locate the number of teeth on the smallest sprocket at the top of the chart and its speed along the left side. At the intersection of these lines will be located the Raw HP of the drive.</b> (When considering belt width refer to design HP calculation)	Smallest sprocket = 72 tooth Fastest RPM = 130 Step #1 Design HP = 32 HP can be interpolated between 100 and 200 RPM 55mm wide = approximately 24.1 HP 85mm wide = approximately 38.9 HP																							
<b>Step #8: Calculate the Corrected HP for the Drive</b> CHP = Raw HP x Belt Length Factor Compare the CHP to the DHP and pick the belt width	55mm wide – CHP = 24.1 x 1.05 = 25.3 85mm wide – CHP = 38.9 x 1.05 = 40.8 85mm meets our DHP and is the belt to use																							
<b>Step #9: Check the Dynamic Balance recommendations</b> Reference Chart (page C1-18)	OK as standard: P80-14M-85 static balance OK as standard: P72-14M-85 static balance																							
<b>Step #10: Specify drive components</b> Reference component dimensional page for Product Number	<table border="1"> <thead> <tr> <th>Item</th> <th>Product No.</th> <th>Ref. Page</th> </tr> </thead> <tbody> <tr> <td>DR Sprocket:</td> <td>P80-14M-85</td> <td>P8014M85</td> <td>C1-7</td> </tr> <tr> <td>DR Bushing:</td> <td>F x 3"</td> <td>F3</td> <td>A1-5</td> </tr> <tr> <td>DN Sprocket:</td> <td>P72-14M-85</td> <td>P7214M85</td> <td>C1-7</td> </tr> <tr> <td>DN Bushing:</td> <td>F x 3-1/4"</td> <td>F314</td> <td>A1-5</td> </tr> <tr> <td>Belt:</td> <td>3150-14M-85</td> <td>315014M85</td> <td>C1-16</td> </tr> </tbody> </table>	Item	Product No.	Ref. Page	DR Sprocket:	P80-14M-85	P8014M85	C1-7	DR Bushing:	F x 3"	F3	A1-5	DN Sprocket:	P72-14M-85	P7214M85	C1-7	DN Bushing:	F x 3-1/4"	F314	A1-5	Belt:	3150-14M-85	315014M85	C1-16
Item	Product No.	Ref. Page																						
DR Sprocket:	P80-14M-85	P8014M85	C1-7																					
DR Bushing:	F x 3"	F3	A1-5																					
DN Sprocket:	P72-14M-85	P7214M85	C1-7																					
DN Bushing:	F x 3-1/4"	F314	A1-5																					
Belt:	3150-14M-85	315014M85	C1-16																					



**DISTRIBUIDOR AUTORIZADO** MEX (55) 53 63 23 31 MTY (81) 83 54 10 18  
 QRO (442) 1 95 72 60 ventas@industrialmagza.com



# Synchronous Plus Drive 5M

## Selection Tables

Line No.	Drive Ratio	Sprocket Combination				1160 RPM DriveR			1750 RPM DriveR			3350 RPM DriveR							
		DRIVER		DRIVEN		DN RPM	Horsepower		DN RPM	Horsepower		DN RPM	Horsepower		355	375	400	425	
		Teeth	PD (in)	Teeth	PD (in)		15MM	25MM		15MM	25MM		15MM	25MM					
Multiply Horsepower Listed by Length Correction Factor to Find Horsepower Rating →																			
1	1.00	32	2.005	32	2.005	1160	2.72	4.94	1750	3.88	7.06	3500	7.02	12.77	0.81	0.83	0.84	0.86	
2	1.00	34	2.130	34	2.130	1160	2.96	5.39	1750	4.24	7.71	3500	7.68	13.97	3.84	4.23	4.72	5.22	
3	1.00	36	2.256	36	2.256	1160	3.20	5.83	1750	4.59	8.35	3500	8.33	15.15	3.64	4.04	4.53	5.02	
4	1.00	38	2.381	38	2.381	1160	3.44	6.26	1750	4.94	8.98	3500	8.97	16.33	3.44	3.84	4.33	4.82	
5	1.00	40	2.506	40	2.506	1160	3.68	6.70	1750	5.29	9.62	3500	9.62	17.50	3.25	3.64	4.13	4.63	
6	1.00	44	2.757	44	2.757	1160	4.16	7.56	1750	5.97	10.88	3500	10.89	19.81	3.05	3.44	3.94	4.43	
7	1.00	48	3.008	48	3.008	1160	4.63	8.43	1750	6.66	12.12	3500	12.14	22.08	-	-	3.54	4.04	
8	1.00	52	3.258	52	3.258	1160	5.10	9.28	1750	7.34	13.36	3500	13.37	24.32	-	-	-	3.64	
9	1.00	56	3.509	56	3.509	1160	5.57	10.13	1750	8.01	14.58	3500	14.59	26.54	-	-	-	-	
10	1.00	60	3.760	60	3.760	1160	6.03	10.97	1750	8.68	15.79	3500	15.79	28.72	-	-	-	-	
11	1.00	64	4.010	64	4.010	1160	6.49	11.80	1750	9.34	17.00	3500	16.97	30.87	-	-	-	-	
12	1.00	68	4.261	68	4.261	1160	6.94	12.63	1750	10.00	18.19	3500	18.13	32.99	-	-	-	-	
13	1.00	72	4.511	72	4.511	1160	7.39	13.46	1750	10.65	19.37	3500	19.28	35.08	-	-	-	-	
14	1.05	38	2.381	40	2.506	1102	3.44	6.26	1663	4.94	8.98	3325	8.97	16.33	3.15	3.54	4.03	4.53	
15	1.06	36	2.256	38	2.381	1099	3.20	5.83	1658	4.59	8.35	3316	8.33	15.15	3.35	3.74	4.23	4.72	
16	1.06	34	2.130	36	2.256	1096	2.96	5.39	1653	4.24	7.71	3306	7.68	13.97	3.54	3.94	4.43	4.92	
17	1.06	68	4.261	72	4.511	1096	6.94	12.63	1653	10.00	18.19	3306	18.13	32.99	-	-	-	-	
18	1.06	32	2.005	34	2.130	1092	2.72	4.94	1647	3.88	7.06	3294	7.02	12.77	3.74	4.13	4.63	5.12	
19	1.06	64	4.010	68	4.261	1092	6.49	11.80	1647	9.34	17.00	3294	16.97	30.87	-	-	-	-	
20	1.07	60	3.760	64	4.010	1088	6.03	10.97	1641	8.68	15.79	3281	15.79	28.72	-	-	-	-	
21	1.07	56	3.509	60	3.760	1083	5.57	10.13	1633	8.01	14.58	3267	14.59	26.54	-	-	-	-	
22	1.08	52	3.258	56	3.509	1077	5.10	9.28	1625	7.34	13.36	3250	13.37	24.32	-	-	-	-	
23	1.08	48	3.008	52	3.258	1071	4.63	8.43	1615	6.66	12.12	3231	12.14	22.08	-	-	-	-	
24	1.09	44	2.757	48	3.008	1063	4.16	7.56	1604	5.97	10.88	3208	10.89	19.81	-	-	-	3.84	
25	1.10	40	2.506	44	2.757	1055	3.68	6.70	1591	5.29	9.62	3182	9.62	17.50	-	3.25	3.74	4.23	
26	1.11	36	2.256	40	2.506	1044	3.20	5.83	1575	4.59	8.35	3150	8.33	15.15	3.25	3.64	4.13	4.62	
27	1.11	72	4.511	80	5.013	1044	7.39	13.46	1575	10.65	19.37	3150	19.28	35.08	-	-	-	-	
28	1.12	34	2.130	38	2.381	1038	2.96	5.39	1566	4.24	7.71	3132	7.68	13.97	3.44	3.84	4.33	4.82	
29	1.13	32	2.005	36	2.256	1031	2.72	4.94	1556	3.88	7.06	3111	7.02	12.77	3.64	4.03	4.53	5.02	
30	1.13	64	4.010	72	4.511	1031	6.49	11.80	1556	9.34	17.00	3111	16.97	30.87	-	-	-	-	
31	1.13	60	3.760	68	4.261	1024	6.03	10.97	1544	8.68	15.79	3088	15.79	28.72	-	-	-	-	
32	1.14	56	3.509	64	4.010	1015	5.57	10.13	1531	8.01	14.58	3063	14.59	26.54	-	-	-	-	
33	1.15	52	3.258	60	3.760	1005	5.10	9.28	1517	7.34	13.36	3033	13.37	24.32	-	-	-	-	
34	1.16	38	2.381	44	2.757	1002	3.44	6.26	1511	4.94	8.98	3023	8.97	16.33	-	3.34	3.83	4.33	
35	1.17	48	3.008	56	3.509	994	4.63	8.43	1500	6.66	12.12	3000	12.14	22.08	-	-	-	-	
36	1.18	34	2.130	40	2.506	986	2.96	5.39	1488	4.24	7.71	2975	7.68	13.97	3.34	3.74	4.23	4.72	
37	1.18	68	4.261	80	5.013	986	6.94	12.63	1488	10.00	18.19	2975	18.13	32.99	-	-	-	-	
38	1.18	44	2.757	52	3.258	982	4.16	7.56	1481	5.97	10.88	2962	10.89	19.81	-	-	-	3.63	
39	1.19	32	2.005	38	2.381	977	2.72	4.94	1474	3.88	7.06	2947	7.02	12.77	3.54	3.93	4.43	4.92	
40	1.20	40	2.506	48	3.008	967	3.68	6.70	1458	5.29	9.62	2917	9.62	17.50	-	-	3.53	4.03	
41	1.20	60	3.760	72	4.511	967	6.03	10.97	1458	8.68	15.79	2917	15.79	28.72	-	-	-	-	
42	1.21	56	3.509	68	4.261	955	5.57	10.13	1441	8.01	14.58	2882	14.59	26.54	-	-	-	-	
43	1.22	36	2.256	44	2.757	949	3.20	5.83	1432	4.59	8.35	2864	8.33	15.15	3.04	3.44	3.93	4.42	
44	1.23	52	3.258	64	4.010	943	5.10	9.28	1422	7.34	13.36	2844	13.37	24.32	-	-	-	-	
45	1.25	32	2.005	40	2.506	928	2.72	4.94	1400	3.88	7.06	2800	7.02	12.77	3.44	3.83	4.32	4.82	
46	1.25	48	3.008	60	3.760	928	4.63	8.43	1400	6.66	12.12	2800	12.14	22.08	-	-	-	-	
47	1.25	64	4.010	80	5.013	928	6.49	11.80	1400	9.34	17.00	2800	16.97	30.87	-	-	-	-	
48	1.25	72	4.511	90	5.639	928	7.39	13.46	1400	10.65	19.37	2800	19.28	35.08	-	-	-	-	
49	1.26	38	2.381	48	3.008	918	3.44	6.26	1375	4.94	8.98	2750	8.97	16.33	-	-	-	4.12	
50	1.27	44	2.757	56	3.509	911	4.16	7.56	1375	5.97	10.88	2750	10.89	19.81	-	-	-	-	
Multiply Horsepower Listed by Length Correction Factor to Find Horsepower Rating →																			



DISTRIBUIDOR AUTORIZADO MEX (55) 53 63 23 31 MTY (81) 83 54 10 18 QRO (442) 1 95 72 60 33 ventas@industrialmagza.com

# Synchronous Plus Drive 5M

## Selection Tables

CENTER DISTANCE																		Line No.	
BELT LENGTH - Length Correction Factor																			
450	500	535	565	580	600	625	650	700	750	800	850	900	1000	1150	1300	1450	1600		1720
0.88	0.90	0.92	0.94	0.95	0.95	0.97	0.98	1.00	1.01	1.03	1.05	1.06	1.09	1.13	1.16	1.19	1.22	1.24	
5.71	6.69	7.38	7.97	8.27	8.66	9.15	9.65	10.63	11.61	12.60	13.58	14.57	16.54	19.49	22.44	25.39	28.35	30.71	1
5.51	6.50	7.19	7.78	8.07	8.46	8.96	9.45	10.43	11.42	12.40	13.39	14.37	16.34	19.29	22.24	25.20	28.15	30.51	2
5.31	6.30	6.99	7.58	7.87	8.27	8.76	9.25	10.24	11.22	12.20	13.19	14.17	16.14	19.09	22.05	25.00	27.95	30.31	3
5.12	6.10	6.79	7.38	7.68	8.07	8.56	9.06	10.04	11.02	12.01	12.99	13.98	15.94	18.90	21.85	24.80	27.76	30.12	4
4.92	5.91	6.59	7.19	7.48	7.87	8.37	8.86	9.84	10.83	11.81	12.80	13.78	15.75	18.70	21.65	24.61	27.56	29.92	5
4.53	5.51	6.20	6.79	7.09	7.48	7.97	8.46	9.45	10.43	11.42	12.40	13.39	15.35	18.31	21.26	24.21	27.17	29.53	6
4.13	5.12	5.81	6.40	6.69	7.09	7.58	8.07	9.06	10.04	11.02	12.01	12.99	14.96	17.91	20.87	23.82	26.77	29.13	7
-	4.72	5.41	6.00	6.30	6.69	7.19	7.68	8.66	9.65	10.63	11.61	12.60	14.57	17.52	20.47	23.43	26.38	28.74	8
-	4.33	5.02	5.61	5.91	6.30	6.79	7.28	8.27	9.25	10.24	11.22	12.20	14.17	17.13	20.08	23.03	25.98	28.35	9
-	-	4.63	5.22	5.51	5.91	6.40	6.89	7.87	8.86	9.84	10.83	11.81	13.78	16.73	19.69	22.64	25.59	27.95	10
-	-	-	4.82	5.12	5.51	6.00	6.50	7.48	8.46	9.45	10.43	11.42	13.39	16.34	19.29	22.24	25.20	27.56	11
-	-	-	-	-	5.12	5.61	6.10	7.09	8.07	9.06	10.04	11.02	12.99	15.94	18.90	21.85	24.80	27.17	12
-	-	-	-	-	-	5.22	5.71	6.69	7.68	8.66	9.65	10.63	12.60	15.55	18.50	21.46	24.41	26.77	13
5.02	6.00	6.69	7.28	7.58	7.97	8.46	8.96	9.94	10.93	11.91	12.89	13.88	15.85	18.80	21.75	24.70	27.66	30.02	14
5.22	6.20	6.89	7.48	7.78	8.17	8.66	9.15	10.14	11.12	12.11	13.09	14.07	16.04	19.00	21.95	24.90	27.85	30.22	15
5.41	6.40	7.09	7.68	7.97	8.37	8.86	9.35	10.33	11.32	12.30	13.29	14.27	16.24	19.19	22.15	25.10	28.05	30.41	16
-	-	-	-	-	4.92	5.41	5.90	6.89	7.87	8.86	9.84	10.83	12.79	15.75	18.70	21.65	24.61	26.97	17
5.61	6.59	7.28	7.87	8.17	8.56	9.05	9.55	10.53	11.52	12.50	13.48	14.47	16.44	19.39	22.34	25.30	28.25	30.61	18
-	-	-	-	4.92	5.31	5.81	6.30	7.28	8.27	9.25	10.24	11.22	13.19	16.14	19.09	22.05	25.00	27.36	19
-	-	4.43	5.02	5.31	5.71	6.20	6.69	7.68	8.66	9.64	10.63	11.61	13.58	16.53	19.49	22.44	25.39	27.76	20
-	-	4.82	5.41	5.71	6.10	6.59	7.09	8.07	9.05	10.04	11.02	12.01	13.98	16.93	19.88	22.83	25.79	28.15	21
-	4.53	5.22	5.81	6.10	6.49	6.99	7.48	8.46	9.45	10.43	11.42	12.40	14.37	17.32	20.28	23.23	26.18	28.54	22
3.94	4.92	5.61	6.20	6.49	6.89	7.38	7.87	8.86	9.84	10.83	11.81	12.79	14.76	17.72	20.67	23.62	26.57	28.94	23
4.33	5.31	6.00	6.59	6.89	7.28	7.77	8.27	9.25	10.24	11.22	12.20	13.19	15.16	18.11	21.06	24.02	26.97	29.33	24
4.72	5.71	6.40	6.99	7.28	7.68	8.17	8.66	9.64	10.63	11.61	12.60	13.58	15.55	18.50	21.46	24.41	27.36	29.72	25
5.12	6.10	6.79	7.38	7.68	8.07	8.56	9.05	10.04	11.02	12.01	12.99	13.98	15.94	18.90	21.85	24.80	27.76	30.12	26
-	-	-	-	-	-	-	5.31	6.29	7.28	8.26	9.25	10.23	12.20	15.16	18.11	21.06	24.01	26.38	27
5.31	6.30	6.99	7.58	7.87	8.27	8.76	9.25	10.24	11.22	12.20	13.19	14.17	16.14	19.09	22.05	25.00	27.95	30.31	28
5.51	6.49	7.18	7.77	8.07	8.46	8.96	9.45	10.43	11.42	12.40	13.39	14.37	16.34	19.29	22.24	25.20	28.15	30.51	29
-	-	-	-	-	5.11	5.60	6.10	7.08	8.07	9.05	10.04	11.02	12.99	15.94	18.90	21.85	24.80	27.16	30
-	-	-	4.82	5.11	5.51	6.00	6.49	7.48	8.46	9.45	10.43	11.41	13.38	16.34	19.29	22.24	25.20	27.56	31
-	-	4.62	5.21	5.51	5.90	6.39	6.89	7.87	8.85	9.84	10.82	11.81	13.78	16.73	19.68	22.64	25.59	27.95	32
-	4.32	5.01	5.60	5.90	6.29	6.79	7.28	8.26	9.25	10.23	11.22	12.20	14.17	17.12	20.08	23.03	25.98	28.35	33
4.82	5.80	6.49	7.08	7.38	7.77	8.27	8.76	9.74	10.73	11.71	12.70	13.68	15.65	18.60	21.55	24.51	27.46	29.82	34
-	4.72	5.41	6.00	6.29	6.69	7.18	7.67	8.66	9.64	10.63	11.61	12.60	14.56	17.52	20.47	23.42	26.38	28.74	35
5.21	6.20	6.89	7.48	7.77	8.17	8.66	9.15	10.14	11.12	12.10	13.09	14.07	16.04	19.00	21.95	24.90	27.85	30.22	36
-	-	-	-	-	-	-	5.50	6.49	7.47	8.46	9.44	10.43	12.40	15.35	18.30	21.26	24.21	26.57	37
4.13	5.11	5.80	6.39	6.69	7.08	7.57	8.07	9.05	10.04	11.02	12.01	12.99	14.96	17.91	20.86	23.82	26.77	29.13	38
5.41	6.39	7.08	7.67	7.97	8.36	8.86	9.35	10.33	11.32	12.30	13.29	14.27	16.24	19.19	22.14	25.10	28.05	30.41	39
4.52	5.51	6.20	6.79	7.08	7.48	7.97	8.46	9.45	10.43	11.41	12.40	13.38	15.35	18.31	21.26	24.21	27.16	29.53	40
-	-	-	-	4.91	5.30	5.79	6.29	7.27	8.26	9.24	10.23	11.21	13.18	16.14	19.09	22.04	25.00	27.36	41
-	-	-	5.01	5.30	5.70	6.19	6.68	7.67	8.65	9.64	10.62	11.61	13.58	16.53	19.48	22.44	25.39	27.75	42
4.91	5.90	6.59	7.18	7.48	7.87	8.36	8.85	9.84	10.82	11.81	12.79	13.78	15.75	18.70	21.65	24.61	27.56	29.92	43
-	-	4.81	5.40	5.70	6.09	6.58	7.08	8.06	9.05	10.03	11.02	12.00	13.97	16.92	19.88	22.83	25.78	28.15	44
5.31	6.29	6.98	7.57	7.87	8.26	8.76	9.25	10.23	11.22	12.20	13.19	14.17	16.14	19.09	22.05	25.00	27.95	30.31	45
-	4.51	5.20	5.79	6.09	6.49	6.98	7.47	8.46	9.44	10.43	11.41	12.40	14.37	17.32	20.27	23.23	26.18	28.54	46
-	-	-	-	-	-	5.19	5.69	6.67	7.66	8.65	9.63	10.62	12.59	15.54	18.50	21.45	24.40	26.77	47
-	-	-	-	-	-	-	-	5.78	6.76	7.74	8.72	9.71	11.68	14.63	17.58	20.53	23.48	25.84	48
4.62	5.60	6.29	6.88	7.18	7.57	8.06	8.56	9.54	10.52	11.50	12.48	13.46	15.43	18.38	21.33	24.28	27.23	29.59	49
3.92	4.91	5.60	6.19	6.49	6.88	7.37	7.87	8.85	9.83	10.81	11.79	12.77	14.74	17.69	20.64	23.59	26.54	28.90	50
0.88	0.90	0.92	0.94	0.95	0.95	0.97	0.98	1.00	1.01	1.03	1.05	1.06	1.09	1.13	1.16	1.19	1.22	1.24	



# Synchronous Plus Drive 5M

## Selection Tables

Line No.	Drive Ratio	Sprocket Combination				1160 RPM DriveR			1750 RPM DriveR			3550 RPM DriveR								
		DRIVER		DRIVEN		DN RPM	Horsepower		DN RPM	Horsepower		DN RPM	Horsepower		355	375	400	425	450	500
		Teeth	PD (in)	Teeth	PD (in)		15MM	25MM		15MM	25MM		15MM	25MM						
Multiply Horsepower Listed by Length Correction Factor to Find Horsepower Rating -->																				
51	1.29	56	3.509	72	4.511	902	5.57	10.13	1361	8.01	14.58	2722	14.59	26.54	-	-	-	-	-	-
52	1.29	34	2.130	44	2.757	896	2.96	5.39	1352	4.24	7.71	2705	7.68	13.97	3.13	3.53	4.02	4.52	5.01	6.00
53	1.30	40	2.506	52	3.258	892	3.68	6.70	1346	5.29	9.62	2692	9.62	17.50	-	-	-	3.82	4.31	5.30
54	1.31	52	3.258	68	4.261	887	5.10	9.28	1338	7.34	13.36	2676	13.37	24.32	-	-	-	-	-	-
55	1.32	68	4.261	90	5.639	876	6.94	12.63	1322	10.00	18.19	2644	18.13	32.99	-	-	-	-	-	-
56	1.33	36	2.256	48	3.008	870	3.20	5.83	1313	4.59	8.35	2625	8.33	15.15	-	3.23	3.72	4.22	4.71	5.70
57	1.33	48	3.008	64	4.010	870	4.63	8.43	1313	6.66	12.12	2625	12.14	22.08	-	-	-	-	-	4.30
58	1.33	60	3.760	80	5.013	870	6.03	10.97	1313	8.68	15.79	2625	15.79	28.72	-	-	-	-	-	-
59	1.36	44	2.757	60	3.760	851	4.16	7.56	1283	5.97	10.88	2567	10.89	19.81	-	-	-	-	-	4.70
60	1.37	38	2.381	52	3.258	848	3.44	6.26	1279	4.94	8.98	2558	8.97	16.33	-	-	3.42	3.91	4.41	5.40
61	1.38	32	2.005	44	2.757	844	2.72	4.94	1273	3.88	7.06	2545	7.02	12.77	3.23	3.62	4.12	4.61	5.10	6.09
62	1.38	52	3.258	72	4.511	838	5.10	9.28	1264	7.34	13.36	2528	13.37	24.32	-	-	-	-	-	-
63	1.40	40	2.506	56	3.509	829	3.68	6.70	1250	5.29	9.62	2500	9.62	17.50	-	-	-	3.61	4.10	5.09
64	1.41	64	4.010	90	5.639	825	6.49	11.80	1244	9.34	17.00	2489	16.97	30.87	-	-	-	-	-	-
65	1.41	34	2.130	48	3.008	822	2.96	5.39	1240	4.24	7.71	2479	7.68	13.97	-	3.32	3.81	4.31	4.80	5.79
66	1.42	48	3.008	68	4.261	819	4.63	8.43	1235	6.66	12.12	2471	12.14	22.08	-	-	-	-	-	-
67	1.43	56	3.509	80	5.013	812	5.57	10.13	1225	8.01	14.58	2450	14.59	26.54	-	-	-	-	-	-
68	1.44	36	2.256	52	3.258	803	3.20	5.83	1212	4.59	8.35	2423	8.33	15.15	-	-	3.51	4.00	4.50	5.49
69	1.45	44	2.757	64	4.010	798	4.16	7.56	1203	5.97	10.88	2406	10.89	19.81	-	-	-	-	-	4.48
70	1.47	38	2.381	56	3.509	787	3.44	6.26	1188	4.94	8.98	2375	8.97	16.33	-	-	-	3.70	4.19	5.19
71	1.50	32	2.005	48	3.008	773	2.72	4.94	1167	3.88	7.06	2333	7.02	12.77	3.01	3.41	3.90	4.40	4.90	5.88
72	1.50	40	2.506	60	3.760	773	3.68	6.70	1167	5.29	9.62	2333	9.62	17.50	-	-	-	-	3.89	4.88
73	1.50	48	3.008	72	4.511	773	4.63	8.43	1167	6.66	12.12	2333	12.14	22.08	-	-	-	-	-	-
74	1.50	60	3.760	90	5.639	773	6.03	10.97	1167	8.68	15.79	2333	15.79	28.72	-	-	-	-	-	-
75	1.53	34	2.130	52	3.258	758	2.96	5.39	1144	4.24	7.71	2288	7.68	13.97	-	-	3.60	4.10	4.59	5.58
76	1.54	52	3.258	80	5.013	754	5.10	9.28	1138	7.34	13.36	2275	13.37	24.32	-	-	-	-	-	-
77	1.55	44	2.757	68	4.261	751	4.16	7.56	1132	5.97	10.88	2265	10.89	19.81	-	-	-	-	-	4.26
78	1.56	36	2.256	56	3.509	746	3.20	5.83	1125	4.59	8.35	2250	8.33	15.15	-	-	-	3.79	4.28	5.28
79	1.56	72	4.511	112	7.018	746	7.39	13.46	1125	10.65	19.37	2250	19.28	35.08	-	-	-	-	-	-
80	1.58	38	2.381	60	3.760	735	3.44	6.26	1108	4.94	8.98	2217	8.97	16.33	-	-	-	-	3.98	4.97
81	1.60	40	2.506	64	4.010	725	3.68	6.70	1094	5.29	9.62	2188	9.62	17.50	-	-	-	-	-	4.66
82	1.61	56	3.509	90	5.639	722	5.57	10.13	1089	8.01	14.58	2178	14.59	26.54	-	-	-	-	-	-
83	1.63	32	2.005	52	3.258	714	2.72	4.94	1077	3.88	7.06	2154	7.02	12.77	-	3.19	3.69	4.19	4.68	5.67
84	1.64	44	2.757	72	4.511	709	4.16	7.56	1069	5.97	10.88	2139	10.89	19.81	-	-	-	-	-	-
85	1.65	34	2.130	56	3.509	704	2.96	5.39	1063	4.24	7.71	2125	7.68	13.97	-	-	3.37	3.88	4.37	5.37
86	1.65	68	4.261	112	7.018	704	6.94	12.63	1063	10.00	18.19	2125	18.13	32.99	-	-	-	-	-	-
87	1.67	36	2.256	60	3.760	696	3.20	5.83	1050	4.59	8.35	2100	8.33	15.15	-	-	-	3.56	4.06	5.06
88	1.67	48	3.008	80	5.013	696	4.63	8.43	1050	6.66	12.12	2100	12.14	22.08	-	-	-	-	-	-
89	1.68	38	2.381	64	4.010	689	3.44	6.26	1039	4.94	8.98	2078	8.97	16.33	-	-	-	-	3.75	4.75
90	1.70	40	2.506	68	4.261	682	3.68	6.70	1029	5.29	9.62	2059	9.62	17.50	-	-	-	-	-	4.44
91	1.73	52	3.258	90	5.639	670	5.10	9.28	1011	7.34	13.36	2022	13.37	24.32	-	-	-	-	-	-
92	1.75	32	2.005	56	3.509	663	2.72	4.94	1000	3.88	7.06	2000	7.02	12.77	-	-	3.46	3.96	4.46	5.46
93	1.75	64	4.010	112	7.018	663	6.49	11.80	1000	9.34	17.00	2000	16.97	30.87	-	-	-	-	-	-
94	1.76	34	2.130	60	3.760	657	2.96	5.39	992	4.24	7.71	1983	7.68	13.97	-	-	-	3.65	4.15	5.15
95	1.78	36	2.256	64	4.010	653	3.20	5.83	984	4.59	8.35	1969	8.33	15.15	-	-	-	-	3.84	4.84
96	1.79	38	2.381	68	4.261	648	3.44	6.26	978	4.94	8.98	1956	8.97	16.33	-	-	-	-	-	4.53
97	1.80	40	2.506	72	4.511	644	3.68	6.70	972	5.29	9.62	1944	9.62	17.50	-	-	-	-	-	4.21
98	1.82	44	2.757	80	5.013	638	4.16	7.56	970	5.97	10.88	1925	10.89	19.81	-	-	-	-	-	-
99	1.87	60	3.760	112	7.018	621	6.03	10.97	967	8.68	15.79	1919	15.79	28.72	-	-	-	-	-	-
100	1.88	32	2.005	60	3.760	619	2.72	4.94	967	7.06	12.77	1867	7.02	12.77	-	-	-	3.74	4.24	5.24
Multiply Horsepower Listed by Length Correction Factor to Find Horsepower Rating -->																				
		<b>0.81</b>	<b>0.83</b>			<b>0.84</b>	<b>0.86</b>	<b>0.88</b>			<b>0.90</b>									



DISTRIBUIDOR AUTORIZADO MEX (55) 53 63 23 31 QRO (442) 1 95 72 60

MTY (81) 83 54 10 18 ventas@industrialmagza.com






# Synchronous Plus Drive 5M

## Selection Tables

CENTER DISTANCE																	Line No.
BELT LENGTH – Length Correction Factor																	
535	565	580	600	625	650	700	750	800	850	900	1000	1150	1300	1450	1600	1720	
0.92	0.94	0.95	0.95	0.97	0.98	1.00	1.01	1.03	1.05	1.06	1.09	1.13	1.16	1.19	1.22	1.24	
-	4.80	5.09	5.49	5.98	6.48	7.46	8.45	9.44	10.42	11.41	13.38	16.33	19.28	22.24	25.19	27.55	51
6.69	7.28	7.57	7.97	8.46	8.95	9.94	10.92	11.91	12.89	13.87	15.84	18.80	21.75	24.70	27.66	30.02	52
5.99	6.58	6.88	7.27	7.77	8.26	9.24	10.23	11.21	12.20	13.18	15.15	18.11	21.06	24.01	26.97	29.33	53
4.60	5.19	5.49	5.88	6.38	6.87	7.86	8.84	9.83	10.82	11.80	13.77	16.72	19.68	22.63	25.59	27.95	54
-	-	-	-	-	-	5.96	6.95	7.94	8.93	9.92	11.89	14.85	17.80	20.76	23.71	26.07	55
6.39	6.98	7.27	7.67	8.16	8.65	9.64	10.62	11.61	12.59	13.58	15.55	18.50	21.45	24.41	27.36	29.72	56
4.99	5.59	5.88	6.28	6.77	7.27	8.25	9.24	10.22	11.21	12.19	14.16	17.12	20.07	23.03	25.98	28.34	57
-	-	-	4.88	5.38	5.87	6.86	7.85	8.84	9.82	10.81	12.78	15.74	18.69	21.64	24.60	26.96	58
5.39	5.98	6.28	6.67	7.17	7.66	8.65	9.63	10.62	11.60	12.59	14.56	17.51	20.47	23.42	26.37	28.74	59
6.09	6.68	6.97	7.37	7.86	8.35	9.34	10.33	11.31	12.30	13.28	15.25	18.20	21.16	24.11	27.06	29.43	60
6.78	7.37	7.67	8.06	8.55	9.05	10.03	11.02	12.00	12.99	13.97	15.94	18.89	21.85	24.80	27.75	30.12	61
4.38	4.98	5.28	5.67	6.17	6.66	7.65	8.64	9.63	10.61	11.60	13.57	16.52	19.48	22.43	25.39	27.75	62
5.79	6.38	6.67	7.07	7.56	8.06	9.04	10.03	11.01	12.00	12.98	14.95	17.91	20.86	23.81	26.77	29.13	63
-	-	-	-	-	-	6.15	7.14	8.13	9.12	10.10	12.08	15.04	17.99	20.95	23.90	26.27	64
6.48	7.07	7.37	7.76	8.26	8.75	9.73	10.72	11.70	12.69	13.67	15.64	18.60	21.55	24.50	27.46	29.82	65
4.78	5.38	5.67	6.07	6.56	7.06	8.05	9.03	10.02	11.01	11.99	13.96	16.92	19.87	22.83	25.78	28.14	66
-	-	-	5.06	5.56	6.06	7.05	8.04	9.02	10.01	11.00	12.97	15.93	18.88	21.84	24.79	27.15	67
6.18	6.77	7.07	7.46	7.96	8.45	9.44	10.42	11.41	12.39	13.38	15.35	18.30	21.25	24.21	27.16	29.52	68
5.18	5.77	6.07	6.47	6.96	7.45	8.44	9.43	10.41	11.40	12.39	14.36	17.31	20.27	23.22	26.17	28.54	69
5.88	6.47	6.77	7.16	7.66	8.15	9.14	10.12	11.11	12.09	13.08	15.05	18.00	20.96	23.91	26.86	29.23	70
6.58	7.17	7.46	7.86	8.35	8.84	9.83	10.82	11.80	12.79	13.77	15.74	18.69	21.65	24.60	27.55	29.92	71
5.58	6.17	6.47	6.86	7.36	7.85	8.84	9.82	10.81	11.79	12.78	14.75	17.71	20.66	23.61	26.57	28.93	72
4.56	5.16	5.46	5.86	6.35	6.85	7.84	8.83	9.81	10.80	11.79	13.76	16.72	19.67	22.63	25.58	27.94	73
-	-	-	-	-	5.33	6.33	7.32	8.31	9.30	10.29	12.27	15.23	18.18	21.14	24.10	26.46	74
6.27	6.87	7.16	7.56	8.05	8.54	9.53	10.52	11.50	12.49	13.47	15.44	18.40	21.35	24.30	27.26	29.62	75
-	-	4.84	5.24	5.74	6.24	7.23	8.22	9.21	10.20	11.19	13.16	16.12	19.07	22.03	24.98	27.35	76
4.96	5.56	5.86	6.25	6.75	7.24	8.23	9.22	10.21	11.20	12.18	14.15	17.11	20.06	23.02	25.97	28.34	77
5.97	6.56	6.86	7.26	7.75	8.24	9.23	10.22	11.20	12.19	13.17	15.14	18.10	21.05	24.01	26.96	29.32	78
-	-	-	-	-	-	-	-	6.57	7.57	8.57	10.56	13.52	16.49	19.45	22.41	24.77	79
5.67	6.26	6.56	6.95	7.45	7.94	8.93	9.92	10.90	11.89	12.88	14.85	17.80	20.76	23.71	26.66	29.03	80
5.36	5.96	6.25	6.65	7.15	7.64	8.63	9.62	10.60	11.59	12.58	14.55	17.50	20.46	23.41	26.37	28.73	81
-	-	-	-	-	5.51	6.51	7.50	8.50	9.49	10.48	12.45	15.42	18.37	21.33	24.29	26.65	82
6.37	6.96	7.26	7.65	8.15	8.64	9.63	10.61	11.60	12.58	13.57	15.54	18.49	21.45	24.40	27.36	29.72	83
4.74	5.34	5.64	6.04	6.54	7.03	8.02	9.01	10.00	10.99	11.98	13.95	16.91	19.86	22.82	25.77	28.14	84
6.06	6.66	6.95	7.35	7.84	8.34	9.32	10.31	11.30	12.28	13.27	15.24	18.20	21.15	24.10	27.06	29.42	85
-	-	-	-	-	-	-	-	6.75	7.75	8.75	10.74	13.71	16.68	19.64	22.60	24.96	86
5.76	6.35	6.65	7.05	7.54	8.04	9.02	10.01	11.00	11.98	12.97	14.94	17.90	20.85	23.81	26.76	29.12	87
-	4.72	5.02	5.42	5.92	6.42	7.41	8.40	9.40	10.38	11.37	13.35	16.31	19.27	22.22	25.18	27.54	88
5.45	6.05	6.35	6.74	7.24	7.73	8.72	9.71	10.70	11.68	12.67	14.64	17.60	20.55	23.51	26.46	28.83	89
5.14	5.74	6.04	6.44	6.93	7.43	8.42	9.41	10.40	11.38	12.37	14.34	17.30	20.26	23.21	26.17	28.53	90
-	-	-	-	5.18	5.68	6.69	7.68	8.68	9.67	10.66	12.64	15.60	18.56	21.52	24.48	26.84	91
6.15	6.75	7.05	7.44	7.94	8.43	9.42	10.41	11.39	12.38	13.36	15.34	18.29	21.25	24.20	27.15	29.52	92
-	-	-	-	-	-	-	-	6.92	7.93	8.93	10.92	13.89	16.86	19.82	22.79	25.15	93
5.85	6.44	6.74	7.14	7.63	8.13	9.12	10.10	11.09	12.08	13.07	15.04	17.99	20.95	23.90	26.86	29.22	94
5.54	6.14	6.44	6.83	7.33	7.82	8.81	9.80	10.79	11.78	12.77	14.74	17.69	20.65	23.61	26.56	28.92	95
5.23	5.83	6.13	6.53	7.02	7.52	8.51	9.50	10.49	11.48	12.46	14.44	17.40	20.35	23.31	26.26	28.63	96
4.92	5.52	5.82	6.22	6.72	7.21	8.21	9.20	10.19	11.18	12.16	14.14	17.10	20.05	23.01	25.96	28.33	97
-	4.89	5.19	5.59	6.10	6.60	7.59	8.59	9.58	10.57	11.56	13.54	16.50	19.46	22.41	25.37	27.73	98
-	-	-	-	-	-	-	6.06	7.05	8.04	9.03	11.01	13.97	16.93	19.89	22.85	25.81	99
5.94	6.54	6.83	7.23	7.73	8.22	9.21	10.20	11.19	12.17	13.16	15.13	18.09	21.04	24.00	26.95	29.32	100
0.92	0.94	0.95	0.95	0.97	0.98	1.00	1.01	1.03	1.05	1.06	1.09	1.13	1.16	1.19	1.22	1.24	


**DISTRIBUIDOR AUTORIZADO** MEX (55) 53 63 23 31 MTY (81) 83 54 10 18  
 QRO (442) 1 95 72 60 ventas@industrialmagza.com

# Synchronous Plus Drive 5M

## Selection Tables

Line No.	Drive Ratio	Sprocket Combination				1160 RPM DriveR			1750 RPM DriveR			3550 RPM DriveR		
		DRIVER		DRIVEN		DN RPM	Horsepower		DN RPM	Horsepower		DN RPM	Horsepower	
		Teeth	PD (in)	Teeth	PD (in)		15MM	25MM		15MM	25MM		15MM	25MM
<b>Multiply Horsepower Listed by Length Correction Factor to Find Horsepower Rating -&gt;</b>														
101	1.88	48	3.008	90	5.639	619	4.63	8.43	933	6.66	12.12	1867	12.14	22.08
102	1.88	34	2.130	64	4.010	616	2.96	5.39	930	4.24	7.71	1859	7.68	13.97
103	1.89	36	2.256	68	4.261	614	3.20	5.83	926	4.59	8.35	1853	8.33	15.15
104	1.89	38	2.381	72	4.511	612	3.44	6.26	924	4.94	8.98	1847	8.97	16.33
105	2.00	32	2.005	64	4.010	580	2.72	4.94	875	3.88	7.06	1750	7.02	12.77
106	2.00	34	2.130	68	4.261	580	2.96	5.39	875	4.24	7.71	1750	7.68	13.97
107	2.00	36	2.256	72	4.511	580	3.20	5.83	875	4.59	8.35	1750	8.33	15.15
108	2.00	40	2.506	80	5.013	580	3.68	6.70	875	5.29	9.62	1750	9.62	17.50
109	2.00	56	3.509	112	7.018	580	5.57	10.13	875	8.01	14.58	1750	14.59	26.54
110	2.05	44	2.757	90	5.639	567	4.16	7.56	856	5.97	10.88	1711	10.89	19.81
111	2.11	38	2.381	80	5.013	551	3.44	6.26	831	4.94	8.98	1663	8.97	16.33
112	2.12	34	2.130	72	4.511	548	2.96	5.39	826	4.24	7.71	1653	7.68	13.97
113	2.13	32	2.005	68	4.261	546	2.72	4.94	824	3.88	7.06	1647	7.02	12.77
114	2.15	52	3.258	112	7.018	539	5.10	9.28	813	7.34	13.36	1625	13.37	24.32
115	2.22	36	2.256	80	5.013	522	3.20	5.83	788	4.59	8.35	1575	8.33	15.15
116	2.25	32	2.005	72	4.511	516	2.72	4.94	778	3.88	7.06	1556	7.02	12.77
117	2.25	40	2.506	90	5.639	516	3.68	6.70	778	5.29	9.62	1556	9.62	17.50
118	2.33	48	3.008	112	7.018	497	4.63	8.43	750	6.66	12.12	1500	12.14	22.08
119	2.35	34	2.130	80	5.013	493	2.96	5.39	744	4.24	7.71	1488	7.68	13.97
120	2.37	38	2.381	90	5.639	490	3.44	6.26	739	4.94	8.98	1478	8.97	16.33
121	2.50	32	2.005	80	5.013	464	2.72	4.94	700	3.88	7.06	1400	7.02	12.77
122	2.50	36	2.256	90	5.639	464	3.20	5.83	700	4.59	8.35	1400	8.33	15.15
123	2.55	44	2.757	112	7.018	456	4.16	7.56	688	5.97	10.88	1375	10.89	19.81
124	2.65	34	2.130	90	5.639	438	2.96	5.39	661	4.24	7.71	1322	7.68	13.97
125	2.80	40	2.506	112	7.018	414	3.68	6.70	625	5.29	9.62	1250	9.62	17.50
126	2.81	32	2.005	90	5.639	412	2.72	4.94	622	3.88	7.06	1244	7.02	12.77
127	2.95	38	2.381	112	7.018	394	3.44	6.26	594	4.94	8.98	1188	8.97	16.33
128	3.11	36	2.256	112	7.018	373	3.20	5.83	563	4.59	8.35	1125	8.33	15.15
129	3.29	34	2.130	112	7.018	352	2.96	5.39	531	4.24	7.71	1063	7.68	13.97
130	3.50	32	2.005	112	7.018	331	2.72	4.94	500	3.88	7.06	1000	7.02	12.77
<b>Multiply Horsepower Listed by Length Correction Factor to Find Horsepower Rating -&gt;</b>														

425	450	500	535
0.86	0.88	0.90	0.92
-	-	-	-
-	3.92	4.93	5.63
-	-	4.62	5.32
-	-	4.30	5.00
3.50	4.01	5.02	5.72
-	-	4.70	5.41
-	-	4.38	5.09
-	-	-	4.45
-	-	-	-
-	-	-	-
-	-	-	4.53
-	-	4.47	5.18
-	3.77	4.79	5.49
-	-	-	-
-	-	-	4.62
-	-	4.55	5.26
-	-	-	-
-	-	-	-
-	-	-	4.70
-	-	-	-
-	-	4.05	4.78
-	-	-	-
-	-	-	-
-	-	-	-
-	-	-	-
-	-	-	-
-	-	-	-
-	-	-	-
0.86	0.88	0.90	0.92



**DISTRIBUIDOR AUTORIZADO** MEX (55) 53 63 23 31 MTY (81) 83 54 10 18  
 QRO (442) 1 95 72 60 ventas@industrialmagza.com

# Synchronous Plus Drive 5M

## Selection Tables

CENTER DISTANCE																Line No.
BELT LENGTH - Length Correction Factor																
565	580	600	625	650	700	750	800	850	900	1000	1150	1300	1450	1600	1720	
0.94	0.95	0.95	0.97	0.98	1.00	1.01	1.03	1.05	1.06	1.09	1.13	1.16	1.19	1.22	1.24	
-	-	4.84	5.35	5.86	6.86	7.86	8.86	9.85	10.85	12.83	15.79	18.75	21.71	24.67	27.03	101
6.23	6.53	6.92	7.42	7.92	8.91	9.90	10.88	11.87	12.86	14.83	17.79	20.75	23.70	26.66	29.02	102
5.92	6.22	6.62	7.11	7.61	8.60	9.59	10.58	11.57	12.56	14.53	17.49	20.45	23.40	26.36	28.72	103
5.61	5.91	6.31	6.81	7.30	8.30	9.29	10.28	11.27	12.26	14.23	17.19	20.15	23.11	26.06	28.42	104
6.32	6.62	7.01	7.51	8.01	9.00	9.99	10.98	11.97	12.95	14.93	17.89	20.84	23.80	26.75	29.12	105
6.01	6.31	6.71	7.20	7.70	8.69	9.69	10.68	11.66	12.65	14.63	17.59	20.54	23.50	26.45	28.82	106
5.70	6.00	6.40	6.90	7.39	8.39	9.38	10.37	11.36	12.35	14.33	17.29	20.24	23.20	26.16	28.52	107
5.06	5.37	5.77	6.27	6.77	7.77	8.77	9.76	10.75	11.74	13.72	16.69	19.65	22.60	25.56	27.92	108
-	-	-	-	-	-	6.25	7.27	8.28	9.28	11.28	14.26	17.23	20.20	23.16	25.53	109
-	-	5.01	5.52	6.03	7.04	8.04	9.04	10.03	11.03	13.01	15.98	18.94	21.90	24.86	27.23	110
5.15	5.45	5.86	6.36	6.86	7.86	8.86	9.85	10.85	11.84	13.82	16.78	19.74	22.70	25.66	28.02	111
5.78	6.08	6.49	6.99	7.48	8.48	9.47	10.46	11.45	12.44	14.42	17.38	20.34	23.30	26.25	28.62	112
6.10	6.40	6.80	7.29	7.79	8.79	9.78	10.77	11.76	12.75	14.72	17.68	20.64	23.60	26.55	28.92	113
-	-	-	-	-	-	6.42	7.44	8.45	9.46	11.46	14.44	17.42	20.39	23.35	25.72	114
5.23	5.54	5.94	6.45	6.95	7.95	8.95	9.94	10.94	11.93	13.91	16.87	19.83	22.79	25.75	28.12	115
5.87	6.17	6.57	7.07	7.57	8.57	9.56	10.56	11.55	12.54	14.51	17.47	20.43	23.39	26.35	28.71	116
-	4.76	5.18	5.69	6.20	7.21	8.22	9.22	10.21	11.21	13.19	16.16	19.13	22.09	25.05	27.42	117
-	-	-	-	-	5.54	6.58	7.61	8.63	9.63	11.64	14.63	17.60	20.57	23.54	25.91	118
5.32	5.62	6.03	6.53	7.04	8.04	9.04	10.03	11.03	12.02	14.00	16.97	19.93	22.89	25.85	28.21	119
4.53	4.84	5.26	5.77	6.28	7.30	8.30	9.31	10.30	11.30	13.29	16.26	19.22	22.18	25.14	27.51	120
5.40	5.71	6.11	6.62	7.12	8.13	9.13	10.12	11.12	12.11	14.09	17.06	20.02	22.98	25.94	28.31	121
4.61	4.93	5.34	5.86	6.37	7.38	8.39	9.39	10.39	11.39	13.38	16.35	19.32	22.28	25.24	27.61	122
-	-	-	-	-	5.70	6.75	7.78	8.80	9.81	11.82	14.81	17.79	20.76	23.72	26.09	123
4.69	5.01	5.42	5.94	6.45	7.47	8.48	9.48	10.48	11.48	13.47	16.44	19.41	22.37	25.33	27.70	124
-	-	-	-	-	5.87	6.92	7.95	8.97	9.98	11.99	14.99	17.97	20.94	23.91	26.28	125
4.77	5.09	5.51	6.03	6.54	7.56	8.57	9.57	10.57	11.57	13.56	16.53	19.50	22.47	25.43	27.79	126
-	-	-	-	-	5.95	7.00	8.03	9.05	10.07	12.08	15.08	18.06	21.03	24.00	26.37	127
-	-	-	-	-	6.03	7.08	8.12	9.14	10.15	12.17	15.17	18.15	21.13	24.09	26.47	128
-	-	-	-	-	6.11	7.16	8.20	9.22	10.24	12.26	15.26	18.24	21.22	24.19	26.56	129
-	-	-	-	5.09	6.19	7.24	8.28	9.31	10.33	12.34	15.35	18.33	21.31	24.28	26.65	130
0.94	0.95	0.95	0.97	0.98	1.00	1.01	1.03	1.05	1.06	1.09	1.13	1.16	1.19	1.22	1.24	



DISTRIBUIDOR  
AUTORIZADO

MEX (55) 53 63 23 31 MTY (81) 83 54 10 18  
QRO (442) 1 95 72 60 ventas@industrialmagza.com



# Synchronous Plus Drive 8M

## Selection Tables

Line No.	Drive Ratio	Sprocket Combination				1160 RPM DriveR					1750 RPM DriveR				
		DRIVER		DRIVEN		DN	Horsepower				DN	Horsepower			
		Teeth	PD (in)	Teeth	PD (in)		RPM	20MM	30MM	50MM		85MM	RPM	20MM	30MM
Multiply Horsepower Listed by Length Correction Factor to Find Horsepower Rating -->															
1	1.00	22	2.206	22	2.206	1160	4.13	6.53	-	-	1750	5.62	8.88	-	-
2	1.00	24	2.406	24	2.406	1160	4.71	7.45	-	-	1750	6.40	10.12	-	-
3	1.00	26	2.607	26	2.607	1160	5.28	8.35	-	-	1750	7.17	11.33	-	-
4	1.00	28	2.807	28	2.807	1160	5.84	9.23	16.00	-	1750	7.93	12.52	21.71	-
5	1.00	30	3.008	30	3.008	1160	6.39	10.09	17.49	-	1750	8.66	13.69	23.73	-
6	1.00	32	3.208	32	3.208	1160	6.92	10.94	18.97	-	1750	9.39	14.83	25.71	-
7	1.00	34	3.409	34	3.409	1160	7.45	11.77	20.42	35.54	1750	10.10	15.95	27.66	48.15
8	1.00	36	3.609	36	3.609	1160	7.97	12.60	21.84	38.02	1750	10.79	17.05	29.57	51.48
9	1.00	38	3.810	38	3.810	1160	8.48	13.40	23.24	40.47	1750	11.48	18.13	31.44	54.75
10	1.00	40	4.010	40	4.010	1160	8.99	14.20	24.63	42.88	1750	12.15	19.20	33.29	57.96
11	1.00	44	4.411	44	4.411	1160	9.98	15.76	27.34	47.59	1750	13.47	21.28	36.90	64.24
12	1.00	48	4.812	48	4.812	1160	10.94	17.29	29.97	52.19	1750	14.74	23.30	40.39	70.33
13	1.00	56	5.614	56	5.614	1160	12.80	20.22	35.06	61.04	1750	17.19	27.17	47.11	82.01
14	1.00	64	6.416	64	6.416	1160	14.57	23.03	39.93	69.51	1750	19.52	30.84	53.48	93.12
15	1.00	72	7.218	72	7.218	1160	16.28	25.72	44.60	77.64	1750	21.74	34.35	59.57	103.71
16	1.00	80	8.020	80	8.020	1160	17.92	28.31	49.10	85.47	1750	23.87	37.71	65.39	113.84
17	1.05	38	3.810	40	4.010	1102	8.48	13.40	23.24	40.47	1662	11.48	18.13	31.44	54.75
18	1.06	36	3.609	38	3.810	1099	7.97	12.60	21.84	38.02	1658	10.79	17.05	29.57	51.48
19	1.06	34	3.409	36	3.609	1096	7.45	11.77	20.42	35.54	1653	10.10	15.95	27.66	48.15
20	1.06	32	3.208	34	3.409	1092	6.92	10.94	18.97	-	1647	9.39	14.83	25.71	-
21	1.07	30	3.008	32	3.208	1088	6.39	10.09	17.49	-	1641	8.66	13.69	23.73	-
22	1.07	28	2.807	30	3.008	1083	5.84	9.23	16.00	-	1633	7.93	12.52	21.71	-
23	1.08	26	2.607	28	2.807	1077	5.28	8.35	-	-	1625	7.17	11.33	-	-
24	1.08	24	2.406	26	2.607	1071	4.71	7.45	-	-	1615	6.40	10.12	-	-
25	1.09	22	2.206	24	2.406	1063	4.13	6.53	-	-	1604	5.62	8.88	-	-
26	1.09	44	4.411	48	4.812	1063	9.98	15.76	27.34	47.59	1604	13.47	21.28	36.90	64.24
27	1.10	40	4.010	44	4.411	1055	8.99	14.20	24.63	42.88	1591	12.15	19.20	33.29	57.96
28	1.11	36	3.609	40	4.010	1044	7.97	12.60	21.84	38.02	1575	10.79	17.05	29.57	51.48
29	1.11	72	7.218	80	8.020	1044	16.28	25.72	44.60	77.64	1575	21.74	34.35	59.57	103.71
30	1.12	34	3.409	38	3.810	1038	7.45	11.77	20.42	35.54	1566	10.10	15.95	27.66	48.15
31	1.13	32	3.208	36	3.609	1031	6.92	10.94	18.97	-	1556	9.39	14.83	25.71	-
32	1.13	64	6.416	72	7.218	1031	14.57	23.03	39.93	69.51	1556	19.52	30.84	53.48	93.12
33	1.13	80	8.020	90	9.023	1031	17.92	28.31	49.10	85.47	1556	23.87	37.71	65.39	113.84
34	1.13	30	3.008	34	3.409	1024	6.39	10.09	17.49	-	1544	8.66	13.69	23.73	-
35	1.14	28	2.807	32	3.208	1015	5.84	9.23	16.00	-	1531	7.93	12.52	21.71	-
36	1.14	56	5.614	64	6.416	1015	12.80	20.22	35.06	61.04	1531	17.19	27.17	47.11	82.01
37	1.15	26	2.607	30	3.008	1005	5.28	8.35	-	-	1517	7.17	11.33	-	-
38	1.16	38	3.810	44	4.411	1002	8.48	13.40	23.24	40.47	1511	11.48	18.13	31.44	54.75
39	1.17	24	2.406	28	2.807	994	4.71	7.45	-	-	1500	6.40	10.12	-	-
40	1.17	48	4.812	56	5.614	994	10.94	17.29	29.97	52.19	1500	14.74	23.30	40.39	70.33
41	1.18	34	3.409	40	4.010	986	7.45	11.77	20.42	35.54	1488	10.10	15.95	27.66	48.15
42	1.18	22	2.206	26	2.607	982	4.13	6.53	-	-	1481	5.62	8.88	-	-
43	1.19	32	3.208	38	3.810	977	6.92	10.94	18.97	-	1474	9.39	14.83	25.71	-
44	1.20	30	3.008	36	3.609	967	6.39	10.09	17.49	-	1458	8.66	13.69	23.73	-
45	1.20	40	4.010	48	4.812	967	8.99	14.20	24.63	42.88	1458	12.15	19.20	33.29	57.96
46	1.21	28	2.807	34	3.409	955	5.84	9.23	16.00	-	1441	7.93	12.52	21.71	-
47	1.22	36	3.609	44	4.411	949	7.97	12.60	21.84	38.02	1432	10.79	17.05	29.57	51.48
48	1.23	26	2.607	32	3.208	942	5.28	8.35	-	-	1422	7.17	11.33	-	-
49	1.25	24	2.406	30	3.008	928	4.71	7.45	-	-	1400	6.40	10.12	-	-
50	1.25	32	3.208	40	4.010	928	6.92	10.94	-	-	1400	9.39	14.83	25.71	-
Multiply Horsepower Listed by Length Correction Factor to Find Horsepower Rating -->															

480	536	560	600	
0.80	0.80	0.80	0.80	
5.98	7.09	7.56	8.35	
5.67	6.77	7.24	8.03	
5.35	6.46	6.93	7.72	
5.04	6.14	6.61	7.40	
4.72	5.83	6.30	7.09	
4.41	5.51	5.98	6.77	
-	5.20	5.67	6.46	
-	4.88	5.35	6.14	
-	4.57	5.04	5.83	
-	-	-	5.51	
-	-	-	-	
-	-	-	-	
-	-	-	-	
-	-	4.88	5.67	
-	4.72	5.20	5.98	
-	5.04	5.51	6.30	
4.25	5.35	5.83	6.61	
4.57	5.67	6.14	6.93	
4.88	5.98	6.46	7.24	
5.20	6.30	6.77	7.56	
5.51	6.61	7.09	7.87	
5.83	6.93	7.40	8.19	
-	-	-	-	
-	-	-	5.19	
-	4.56	5.04	5.82	
-	-	-	-	
-	4.88	5.35	6.14	
-	5.19	5.67	6.45	
-	-	-	-	
-	-	-	-	
4.40	5.51	5.98	6.77	
4.72	5.82	6.30	7.08	
-	-	-	-	
5.04	6.14	6.61	7.40	
-	-	-	5.35	
5.35	6.45	6.93	7.71	
-	-	-	-	
-	4.71	5.19	5.98	
5.67	6.77	7.24	8.03	
-	5.03	5.50	6.29	
4.24	5.35	5.82	6.61	
-	-	-	-	
4.56	5.66	6.13	6.92	
-	-	-	5.50	
-	4.87	5.98	6.45	7.24
-	4.87	5.98	6.45	7.24
-	4.87	5.34	6.13	7.55
-	-	-	-	-
0.80	0.80	0.80	0.80	



DISTRIBUIDOR MEX (55) 53 63 23 31 MTY (81) 83 54 10 18  
 AUTORIZADO QRO (442) 1 95 72 60 ventas@industrialmagza.com



# Synchronous Plus Drive 8M

## Selection Tables

CENTER DISTANCE																		Line No.
BELT LENGTH – Length Correction Factor																		
640	720	800	880	960	1040	1120	1200	1224	1280	1440	1600	1760	1800	2000	2200	2400	2600	
0.90	0.90	0.90	0.90	1.00	1.00	1.00	1.00	1.00	1.10	1.10	1.10	1.10	1.20	1.20	1.20	1.20	1.20	
9.13	10.71	12.28	13.86	15.43	17.01	18.58	20.16	20.63	21.73	24.88	28.03	31.18	31.97	35.91	39.84	43.78	47.72	1
8.82	10.39	11.97	13.54	15.12	16.69	18.27	19.84	20.31	21.42	24.57	27.72	30.87	31.65	35.59	39.53	43.46	47.40	2
8.50	10.08	11.65	13.23	14.80	16.38	17.95	19.53	20.00	21.10	24.25	27.40	30.55	31.34	35.28	39.21	43.15	47.09	3
8.19	9.76	11.34	12.91	14.49	16.06	17.64	19.21	19.69	20.79	23.94	27.09	30.24	31.02	34.96	38.90	42.83	46.77	4
7.87	9.45	11.02	12.60	14.17	15.75	17.32	18.90	19.37	20.47	23.62	26.77	29.92	30.71	34.65	38.58	42.52	46.46	5
7.56	9.13	10.71	12.28	13.86	15.43	17.01	18.58	19.06	20.16	23.31	26.46	29.61	30.39	34.33	38.27	42.20	46.14	6
7.24	8.82	10.39	11.97	13.54	15.12	16.69	18.27	18.74	19.84	22.99	26.14	29.29	30.08	34.02	37.95	41.89	45.83	7
6.93	8.50	10.08	11.65	13.23	14.80	16.38	17.95	18.43	19.53	22.68	25.83	28.98	29.76	33.70	37.64	41.57	45.51	8
6.61	8.19	9.76	11.34	12.91	14.49	16.06	17.64	18.11	19.21	22.36	25.51	28.66	29.45	33.39	37.32	41.26	45.20	9
6.30	7.87	9.45	11.02	12.60	14.17	15.75	17.32	17.80	18.90	22.05	25.20	28.35	29.13	33.07	37.01	40.94	44.88	10
5.67	7.24	8.82	10.39	11.97	13.54	15.12	16.69	17.17	18.27	21.42	24.57	27.72	28.50	32.44	36.38	40.31	44.25	11
-	6.61	8.19	9.76	11.34	12.91	14.49	16.06	16.54	17.64	20.79	23.94	27.09	27.87	31.81	35.75	39.69	43.62	12
-	-	6.93	8.50	10.08	11.65	13.23	14.80	15.28	16.38	19.53	22.68	25.83	26.61	30.55	34.49	38.43	42.36	13
-	-	-	7.24	8.82	10.39	11.97	13.54	14.02	15.12	18.27	21.42	24.57	25.35	29.29	33.23	37.17	41.10	14
-	-	-	-	-	9.13	10.71	12.28	12.76	13.86	17.01	20.16	23.31	24.09	28.03	31.97	35.91	39.84	15
-	-	-	-	-	-	9.45	11.02	11.50	12.60	15.75	18.90	22.05	22.83	26.77	30.71	34.65	38.58	16
6.46	8.03	9.61	11.18	12.76	14.33	15.91	17.48	17.95	19.05	22.20	25.35	28.50	29.29	33.23	37.17	41.10	45.04	17
6.77	8.35	9.92	11.50	13.07	14.65	16.22	17.79	18.27	19.37	22.52	25.67	28.82	29.61	33.54	37.48	41.42	45.35	18
7.09	8.66	10.24	11.81	13.39	14.96	16.54	18.11	18.58	19.68	22.83	25.98	29.13	29.92	33.86	37.80	41.73	45.67	19
7.40	8.98	10.55	12.13	13.70	15.28	16.85	18.42	18.90	20.00	23.15	26.30	29.45	30.24	34.17	38.11	42.05	45.98	20
7.72	9.29	10.87	12.44	14.02	15.59	17.17	18.74	19.21	20.31	23.46	26.61	29.76	30.55	34.49	38.43	42.36	46.30	21
8.03	9.61	11.18	12.76	14.33	15.91	17.48	19.05	19.53	20.63	23.78	26.93	30.08	30.87	34.80	38.74	42.68	46.61	22
8.35	9.92	11.50	13.07	14.65	16.22	17.79	19.37	19.84	20.94	24.09	27.24	30.39	31.18	35.12	39.05	42.99	46.93	23
8.66	10.24	11.81	13.39	14.96	16.54	18.11	19.68	20.16	21.26	24.41	27.56	30.71	31.50	35.43	39.37	43.31	47.24	24
8.98	10.55	12.13	13.70	15.28	16.85	18.42	20.00	20.47	21.57	24.72	27.87	31.02	31.81	35.75	39.68	43.62	47.56	25
-	6.93	8.50	10.08	11.65	13.23	14.80	16.38	16.85	17.95	21.10	24.25	27.40	28.19	32.13	36.06	40.00	43.94	26
5.98	7.56	9.13	10.71	12.28	13.86	15.43	17.01	17.48	18.58	21.73	24.88	28.03	28.82	32.76	36.69	40.63	44.57	27
6.61	8.19	9.76	11.34	12.91	14.49	16.06	17.64	18.11	19.21	22.36	25.51	28.66	29.45	33.39	37.32	41.26	45.20	28
-	-	-	-	-	8.49	10.07	11.65	12.12	13.22	16.37	19.52	22.67	23.46	27.40	31.34	35.27	39.21	29
6.93	8.50	10.08	11.65	13.23	14.80	16.38	17.95	18.42	19.53	22.68	25.83	28.98	29.76	33.70	37.64	41.57	45.51	30
7.24	8.82	10.39	11.97	13.54	15.12	16.69	18.27	18.74	19.84	22.99	26.14	29.29	30.08	34.02	37.95	41.89	45.83	31
-	-	-	-	8.18	9.76	11.33	12.91	13.38	14.48	17.63	20.78	23.93	24.72	28.66	32.60	36.53	40.47	32
-	-	-	-	-	-	-	10.22	10.70	11.80	14.95	18.10	21.25	22.04	25.98	29.92	33.85	37.79	33
7.56	9.13	10.71	12.28	13.86	15.43	17.01	18.58	19.05	20.16	23.31	26.46	29.61	30.39	34.33	38.27	42.20	46.14	34
7.87	9.45	11.02	12.60	14.17	15.75	17.32	18.90	19.37	20.47	23.62	26.77	29.92	30.71	34.65	38.58	42.52	46.46	35
-	-	-	7.86	9.44	11.02	12.59	14.17	14.64	15.74	18.89	22.04	25.19	25.98	29.92	33.86	37.79	41.73	36
8.19	9.76	11.34	12.91	14.49	16.06	17.64	19.21	19.68	20.79	23.94	27.09	30.24	31.02	34.96	38.90	42.83	46.77	37
6.13	7.71	9.29	10.86	12.44	14.01	15.59	17.16	17.64	18.74	21.89	25.04	28.19	28.97	32.91	36.85	40.79	44.72	38
8.50	10.08	11.65	13.23	14.80	16.38	17.95	19.53	20.00	21.10	24.25	27.40	30.55	31.34	35.28	39.21	43.15	47.09	39
-	5.97	7.55	9.13	10.70	12.28	13.85	15.43	15.90	17.00	20.15	23.30	26.45	27.24	31.18	35.12	39.05	42.99	40
6.76	8.34	9.92	11.49	13.07	14.64	16.22	17.79	18.27	19.37	22.52	25.67	28.82	29.60	33.54	37.48	41.42	45.35	41
8.82	10.39	11.97	13.54	15.12	16.69	18.27	19.84	20.31	21.42	24.57	27.72	30.87	31.65	35.59	39.53	43.46	47.40	42
7.08	8.66	10.23	11.81	13.38	14.96	16.53	18.11	18.58	19.68	22.83	25.98	29.13	29.92	33.86	37.79	41.73	45.67	43
7.40	8.97	10.55	12.12	13.70	15.27	16.85	18.42	18.90	20.00	23.15	26.30	29.45	30.23	34.17	38.11	42.05	45.98	44
5.66	7.23	8.81	10.39	11.96	13.54	15.11	16.69	17.16	18.26	21.41	24.56	27.71	28.50	32.44	36.38	40.31	44.25	45
7.71	9.29	10.86	12.44	14.01	15.59	17.16	18.74	19.21	20.31	23.46	26.61	29.76	30.55	34.49	38.42	42.36	46.30	46
6.29	7.86	9.44	11.02	12.59	14.17	15.74	17.32	17.79	18.89	22.04	25.19	28.34	29.13	33.07	37.01	40.94	44.88	47
8.03	9.60	11.18	12.75	14.33	15.90	17.48	19.05	19.53	20.63	23.78	26.93	30.08	30.87	34.80	38.74	42.68	46.61	48
8.34	9.92	11.49	13.07	14.64	16.22	17.79	19.37	19.84	20.94	24.09	27.24	30.39	31.18	35.12	39.05	42.99	46.93	49
6.92	8.49	10.07	11.65	13.22	14.80	16.37	17.95	18.42	19.53	22.68	25.83	28.98	29.76	33.70	37.64	41.57	45.51	50
<b>0.90</b>	<b>0.90</b>	<b>0.90</b>	<b>0.90</b>	<b>1.00</b>	<b>1.00</b>	<b>1.00</b>	<b>1.00</b>	<b>1.00</b>	<b>1.10</b>	<b>1.10</b>	<b>1.10</b>	<b>1.10</b>	<b>1.20</b>	<b>1.20</b>	<b>1.20</b>	<b>1.20</b>	<b>1.20</b>	




DISTRIBUIDOR AUTORIZADO MEX (55) 53 63 23 31 QRO (442) 1 95 72 60 MTY (81) 83 54 10 18 ventas@industrialmagza.com

# Synchronous Plus Drive 8M

## Selection Tables


Line No.	Drive Ratio	Sprocket Combination				1160 RPM DriveR					1750 RPM DriveR							
		DRIVER		DRIVEN		DN RPM	Horsepower				DN RPM	Horsepower				536	560	600
		Teeth	PD (in)	Teeth	PD (in)		20MM	30MM	50MM	85MM		20MM	30MM	50MM	85MM			
<b>Multiply Horsepower Listed by Length Correction Factor to Find Horsepower Rating -&gt;</b>															<b>0.80</b>	<b>0.80</b>	<b>0.80</b>	
51	1.25	64	6.416	80	8.020	928	14.57	23.03	39.93	69.51	1400	19.52	30.84	53.48	93.12	-	-	-
52	1.25	72	7.218	90	9.023	928	16.28	25.72	44.60	77.64	1400	21.74	34.35	59.57	103.71	-	-	-
53	1.26	38	3.810	48	4.812	918	8.48	13.40	23.24	40.47	1385	11.48	18.13	31.44	54.75	-	-	-
54	1.27	30	3.008	38	3.810	916	6.39	10.09	17.49	-	1382	8.66	13.69	23.73	-	5.18	5.66	6.44
55	1.27	22	2.206	28	2.807	911	4.13	6.53	-	-	1375	5.62	8.88	-	-	6.61	7.08	7.87
56	1.27	44	4.411	56	5.614	911	9.98	15.76	27.34	47.59	1375	13.47	21.28	36.90	64.24	-	-	-
57	1.29	28	2.807	36	3.609	902	5.84	9.23	16.00	-	1361	7.93	12.52	21.71	-	5.50	5.97	6.76
58	1.29	56	5.614	72	7.218	902	12.80	20.22	35.06	61.04	1361	17.19	27.17	47.11	82.01	-	-	-
59	1.29	34	3.409	44	4.411	896	7.45	11.77	20.42	35.54	1352	10.10	15.95	27.66	48.15	-	4.86	5.65
60	1.31	26	2.607	34	3.409	887	5.28	8.35	-	-	1338	7.17	11.33	-	-	5.81	6.29	7.08
61	1.33	24	2.406	32	3.208	870	4.71	7.45	-	-	1312	6.40	10.12	-	-	6.13	6.60	7.39
62	1.33	30	3.008	40	4.010	870	6.39	10.09	17.49	-	1312	8.66	13.69	23.73	-	5.01	5.49	6.28
63	1.33	36	3.609	48	4.812	870	7.97	12.60	21.84	38.02	1312	10.79	17.05	29.57	51.48	-	-	5.16
64	1.33	48	4.812	64	6.416	870	10.94	17.29	29.97	52.19	1312	14.74	23.30	40.39	70.33	-	-	-
65	1.36	28	2.807	38	3.810	855	5.84	9.23	16.00	-	1289	7.93	12.52	21.71	-	5.33	5.81	6.60
66	1.36	22	2.206	30	3.008	851	4.13	6.53	-	-	1283	5.62	8.88	-	-	6.44	6.92	7.71
67	1.38	32	3.208	44	4.411	844	6.92	10.94	18.97	-	1273	9.39	14.83	25.71	-	-	5.00	5.80
68	1.38	26	2.607	36	3.609	838	5.28	8.35	-	-	1264	7.17	11.33	-	-	5.65	6.12	6.91
69	1.40	40	4.010	56	5.614	829	8.99	14.20	24.63	42.88	1250	12.15	19.20	33.29	57.96	-	-	-
70	1.40	80	8.020	112	11.229	829	17.92	28.31	49.10	85.47	1250	23.87	37.71	65.39	113.84	-	-	-
71	1.41	64	6.416	90	9.023	825	14.57	23.03	39.93	69.51	1244	19.52	30.84	53.48	93.12	-	-	-
72	1.41	34	3.409	48	4.812	822	7.45	11.77	20.42	35.54	1240	10.10	15.95	27.66	48.15	-	-	5.31
73	1.42	24	2.406	34	3.409	819	4.71	7.45	-	-	1235	6.40	10.12	-	-	5.96	6.44	7.23
74	1.43	28	2.807	40	4.010	812	5.84	9.23	16.00	-	1225	7.93	12.52	21.71	-	5.16	5.64	6.43
75	1.43	56	5.614	80	8.020	812	12.80	20.22	35.06	61.04	1225	17.19	27.17	47.11	82.01	-	-	-
76	1.45	22	2.206	32	3.208	798	4.13	6.53	-	-	1203	5.62	8.88	-	-	6.28	6.75	7.54
77	1.45	44	4.411	64	6.416	798	9.98	15.76	27.34	47.59	1203	13.47	21.28	36.90	64.24	-	-	-
78	1.46	26	2.607	38	3.810	794	5.28	8.35	-	-	1197	7.17	11.33	-	-	5.48	5.95	6.74
79	1.47	30	3.008	44	4.411	791	6.39	10.09	17.49	-	1193	8.66	13.69	23.73	-	4.67	5.15	5.94
80	1.47	38	3.810	56	5.614	787	8.48	13.40	23.24	40.47	1188	11.48	18.13	31.44	54.75	-	-	-
81	1.50	24	2.406	36	3.609	773	4.71	7.45	-	-	1167	6.40	10.12	-	-	5.80	6.27	7.06
82	1.50	32	3.208	48	4.812	773	6.92	10.94	18.97	-	1167	9.39	14.83	25.71	-	-	-	5.45
83	1.50	48	4.812	72	7.218	773	10.94	17.29	29.97	52.19	1167	14.74	23.30	40.39	70.33	-	-	-
84	1.54	26	2.607	40	4.010	754	5.28	8.35	-	-	1138	7.17	11.33	-	-	5.31	5.78	6.58
85	1.55	22	2.206	34	3.409	751	4.13	6.53	-	-	1132	5.62	8.88	-	-	6.11	6.59	7.38
86	1.56	36	3.609	56	5.614	746	7.97	12.60	21.84	38.02	1125	10.79	17.05	29.57	51.48	-	-	-
87	1.56	72	7.218	112	11.229	746	16.28	25.72	44.60	77.64	1125	21.74	34.35	59.57	103.71	-	-	-
88	1.57	28	2.807	44	4.411	738	5.84	9.23	16.00	-	1114	7.93	12.52	21.71	-	4.82	5.29	6.09
89	1.58	24	2.406	38	3.810	733	4.71	7.45	-	-	1105	6.40	10.12	-	-	5.63	6.10	6.89
90	1.60	30	3.008	48	4.812	725	6.39	10.09	17.49	-	1094	8.66	13.69	23.73	-	-	4.80	5.60
91	1.60	40	4.010	64	6.416	725	8.99	14.20	24.63	42.88	1094	12.15	19.20	33.29	57.96	-	-	-
92	1.61	56	5.614	90	9.023	722	12.80	20.22	35.06	61.04	1089	17.19	27.17	47.11	82.01	-	-	-
93	1.64	22	2.206	36	3.609	709	4.13	6.53	-	-	1069	5.62	8.88	-	-	5.94	6.42	7.21
94	1.64	44	4.411	72	7.218	709	9.98	15.76	27.34	47.59	1069	13.47	21.28	36.90	64.24	-	-	-
95	1.65	34	3.409	56	5.614	704	7.45	11.77	20.42	35.54	1062	10.10	15.95	27.66	48.15	-	-	-
96	1.67	24	2.406	40	4.010	696	4.71	7.45	-	-	1050	6.40	10.12	-	-	5.45	5.93	6.72
97	1.67	48	4.812	80	8.020	696	10.94	17.29	29.97	52.19	1050	14.74	23.30	40.39	70.33	-	-	-
98	1.68	38	3.810	64	6.416	689	8.48	13.40	23.24	40.47	1039	11.48	18.13	31.44	54.75	-	-	-
99	1.69	26	2.607	44	4.411	685	5.28	8.35	-	-	1034	7.93	12.52	21.71	-	4.96	5.44	6.23
100	1.71	28	2.807	48	4.812	677	5.84	9.23	16.00	-	1021	7.93	12.52	21.71	-	-	4.94	5.74
<b>Multiply Horsepower Listed by Length Correction Factor to Find Horsepower Rating -&gt;</b>															<b>0.80</b>	<b>0.80</b>	<b>0.80</b>	


**DISTRIBUIDOR AUTORIZADO** MEX (55) 53 63 23 31 MTY (81) 83 54 10 18  
 QRO (442) 1 95 72 60 ventas@industrialmagza.com

# Synchronous Plus Drive 8M

## Selection tables

CENTER DISTANCE																				Line No.
BELT LENGTH – Length Correction Factor																				
640	720	800	880	960	1040	1120	1200	1224	1280	1440	1600	1760	1800	2000	2200	2400	2600	2800		
0.90	0.90	0.90	0.90	1.00	1.00	1.00	1.00	1.00	1.10	1.10	1.10	1.10	1.20	1.20	1.20	1.20	1.20	1.20		
-	-	-	-	-	9.10	10.68	12.26	12.73	13.83	16.99	20.14	23.29	24.08	28.02	31.96	35.90	39.83	43.77	51	
-	-	-	-	-	-	9.25	10.83	11.30	12.41	15.56	18.72	21.87	22.66	26.60	30.54	34.48	38.41	42.35	52	
5.81	7.38	8.96	10.54	12.12	13.69	15.27	16.84	17.32	18.42	21.57	24.72	27.87	28.66	32.59	36.53	40.47	44.41	48.34	53	
7.23	8.81	10.39	11.96	13.54	15.11	16.69	18.26	18.74	19.84	22.99	26.14	29.29	30.08	34.01	37.95	41.89	45.83	49.76	54	
8.66	10.23	11.81	13.38	14.96	16.53	18.11	19.68	20.16	21.26	24.41	27.56	30.71	31.49	35.43	39.37	43.31	47.24	51.18	55	
-	6.27	7.85	9.43	11.01	12.58	14.16	15.74	16.21	17.31	20.46	23.61	26.76	27.55	31.49	35.43	39.37	43.30	47.24	56	
7.55	9.13	10.70	12.28	13.85	15.43	17.00	18.58	19.05	20.15	23.30	26.45	29.60	30.39	34.33	38.27	42.20	46.14	50.08	57	
-	-	-	7.20	8.78	10.36	11.94	13.52	13.99	15.10	18.25	21.40	24.55	25.34	29.28	33.22	37.16	41.09	45.03	58	
6.44	8.02	9.59	11.17	12.75	14.32	15.90	17.47	17.95	19.05	22.20	25.35	28.50	29.29	33.22	37.16	41.10	45.04	48.97	59	
7.86	9.44	11.02	12.59	14.17	15.74	17.32	18.89	19.37	20.47	23.62	26.77	29.92	30.71	34.64	38.58	42.52	46.45	50.39	60	
8.18	9.76	11.33	12.91	14.48	16.06	17.63	19.21	19.68	20.78	23.93	27.08	30.23	31.02	34.96	38.90	42.83	46.77	50.71	61	
7.07	8.65	10.22	11.80	13.38	14.95	16.53	18.10	18.58	19.68	22.83	25.98	29.13	29.92	33.85	37.79	41.73	45.67	49.60	62	
5.95	7.54	9.11	10.69	12.27	13.85	15.42	17.00	17.47	18.57	21.72	24.87	28.03	28.81	32.75	36.69	40.63	44.56	48.50	63	
-	-	6.88	8.47	10.05	11.63	13.20	14.78	15.25	16.36	19.51	22.66	25.81	26.60	30.54	34.48	38.42	42.35	46.29	64	
7.38	8.96	10.54	12.12	13.69	15.27	16.84	18.42	18.89	19.99	23.14	26.29	29.44	30.23	34.17	38.11	42.04	45.98	49.92	65	
8.49	10.07	11.65	13.22	14.80	16.37	17.95	19.52	20.00	21.10	24.25	27.40	30.55	31.34	35.27	39.21	43.15	47.08	51.02	66	
6.59	8.17	9.75	11.32	12.90	14.48	16.05	17.63	18.10	19.20	22.35	25.50	28.66	29.44	33.38	37.32	41.26	45.19	49.13	67	
7.70	9.28	10.85	12.43	14.01	15.58	17.16	18.73	19.21	20.31	23.46	26.61	29.76	30.55	34.48	38.42	42.36	46.30	50.23	68	
-	6.57	8.15	9.73	11.31	12.89	14.47	16.04	16.52	17.62	20.77	23.92	27.07	27.86	31.80	35.74	39.68	43.61	47.55	69	
-	-	-	-	-	-	-	-	-	-	13.13	16.30	19.46	20.25	24.20	28.14	32.09	36.03	39.97	70	
-	-	-	-	-	-	9.83	11.42	11.90	13.01	16.17	19.33	22.48	23.27	27.21	31.15	35.09	39.03	42.97	71	
6.10	7.68	9.26	10.84	12.42	14.00	15.57	17.15	17.62	18.73	21.88	25.03	28.18	28.97	32.91	36.84	40.78	44.72	48.66	72	
8.02	9.59	11.17	12.75	14.32	15.90	17.47	19.05	19.52	20.62	23.77	26.92	30.07	30.86	34.80	38.74	42.67	46.61	50.55	73	
7.22	8.80	10.38	11.95	13.53	15.11	16.68	18.26	18.73	19.83	22.98	26.13	29.29	30.07	34.01	37.95	41.89	45.82	49.76	74	
-	-	-	-	8.10	9.69	11.27	12.86	13.33	14.44	17.60	20.75	23.91	24.70	28.64	32.58	36.52	40.45	44.39	75	
8.33	9.91	11.49	13.06	14.64	16.21	17.79	19.36	19.84	20.94	24.09	27.24	30.39	31.18	35.11	39.05	42.99	46.93	50.86	76	
-	-	7.17	8.76	10.35	11.93	13.51	15.08	15.56	16.66	19.82	22.97	26.12	26.91	30.85	34.79	38.73	42.67	46.60	77	
7.54	9.11	10.69	12.27	13.85	15.42	17.00	18.57	19.05	20.15	23.30	26.45	29.60	30.39	34.33	38.26	42.20	46.14	50.08	78	
6.74	8.32	9.90	11.47	13.05	14.63	16.21	17.78	18.25	19.36	22.51	25.66	28.81	29.60	33.54	37.47	41.41	45.35	49.29	79	
-	6.71	8.30	9.88	11.46	13.04	14.62	16.20	16.67	17.77	20.93	24.08	27.23	28.02	31.96	35.89	39.83	43.77	47.71	80	
7.85	9.43	11.01	12.58	14.16	15.74	17.31	18.89	19.36	20.46	23.61	26.76	29.92	30.70	34.64	38.58	42.52	46.45	50.39	81	
6.25	7.83	9.41	10.99	12.57	14.15	15.73	17.30	17.78	18.88	22.03	25.18	28.34	29.12	33.06	37.00	40.94	44.87	48.81	82	
-	-	-	7.78	9.37	10.96	12.54	14.12	14.60	15.70	18.86	22.01	25.17	25.96	29.90	33.84	37.78	41.71	45.65	83	
7.37	8.95	10.53	12.11	13.68	15.26	16.84	18.41	18.88	19.99	23.14	26.29	29.44	30.23	34.17	38.10	42.04	45.98	49.92	84	
8.17	9.75	11.32	12.90	14.48	16.05	17.63	19.20	19.68	20.78	23.93	27.08	30.23	31.02	34.96	38.89	42.83	46.77	50.71	85	
-	6.86	8.44	10.03	11.61	13.19	14.77	16.35	16.82	17.92	21.08	24.23	27.38	28.17	32.11	36.05	39.99	43.93	47.86	86	
-	-	-	-	-	-	-	-	-	10.52	13.71	16.89	20.06	20.85	24.80	28.75	32.69	36.64	40.58	87	
6.88	8.47	10.05	11.63	13.20	14.78	16.36	17.93	18.41	19.51	22.66	25.81	28.97	29.75	33.69	37.63	41.57	45.50	49.44	88	
7.68	9.26	10.84	12.42	14.00	15.57	17.15	18.73	19.20	20.30	23.45	26.60	29.76	30.54	34.48	38.42	42.36	46.29	50.23	89	
6.39	7.98	9.56	11.14	12.72	14.30	15.88	17.46	17.93	19.03	22.19	25.34	28.49	29.28	33.22	37.15	41.09	45.03	48.97	90	
-	-	7.46	9.05	10.64	12.22	13.81	15.39	15.86	16.97	20.12	23.28	26.43	27.22	31.16	35.10	39.04	42.98	46.91	91	
-	-	-	-	-	8.81	10.41	12.00	12.48	13.59	16.76	19.93	23.09	23.88	27.82	31.77	35.71	39.65	43.59	92	
8.00	9.58	11.16	12.74	14.31	15.89	17.47	19.04	19.51	20.62	23.77	26.92	30.07	30.86	34.80	38.73	42.67	46.61	50.55	93	
-	-	-	8.07	9.66	11.25	12.84	14.42	14.89	16.00	19.16	22.32	25.47	26.26	30.20	34.14	38.08	42.02	45.96	94	
5.40	7.00	8.59	10.18	11.76	13.34	14.92	16.50	16.97	18.08	21.23	24.38	27.54	28.32	32.26	36.20	40.14	44.08	48.02	95	
7.52	9.10	10.68	12.26	13.84	15.41	16.99	18.57	19.04	20.14	23.29	26.44	29.60	30.38	34.32	38.26	42.20	46.13	50.07	96	
-	-	-	-	8.67	10.27	11.86	13.45	13.92	15.03	18.20	21.36	24.51	25.30	29.25	33.19	37.13	41.07	45.01	97	
-	6.00	7.60	9.20	10.79	12.37	13.95	15.54	16.01	17.12	20.27	23.43	26.58	27.37	31.31	35.25	39.19	43.13	47.07	98	
7.03	8.61	10.20	11.78	13.36	14.93	16.51	18.09	18.56	19.67	22.82	25.97	29.12	29.91	33.85	37.79	41.73	45.67	49.60	99	
6.54	8.13	9.71	11.29	12.87	14.45	16.03	17.61	18.08	19.18	22.34	25.49	28.64	29.43	33.37	37.31	41.25	45.19	49.12	100	
0.90	0.90	0.90	0.90	1.00	1.00	1.00	1.00	1.00	1.10	1.10	1.10	1.10	1.20	1.20	1.20	1.20	1.20	1.20		


**DISTRIBUIDOR AUTORIZADO** MEX (55) 53 63 23 31 MTY (81) 83 54 10 18  
 QRO (442) 1 95 72 60 37 78 QRO (442) 1 95 72 60 37 78 ventas@industrialmagza.com

# Synchronous Plus Drive 8M

## Selection Tables

Line No.	Drive Ratio	Sprocket Combination				1160 RPM DriveR					1750 RPM DriveR											
		DRIVER		DRIVEN		DN	Horsepower				DN	Horsepower				560	600	640	720	800	880	
		Teeth	PD (in)	Teeth	PD (in)		RPM	20MM	30MM	50MM		85MM	RPM	20MM	30MM							50MM
Multiply Horsepower Listed by Length Correction Factor to Find Horsepower Rating -->																						
101	1.73	22	2.206	38	3.810	672	4.13	6.53	-	-	1013	5.62	8.88	-	-	6.25	7.04	7.83	9.41	10.99	12.57	
102	1.75	32	3.208	56	5.614	663	6.92	10.94	18.97	-	1000	9.39	14.83	25.71	-	-	-	5.54	7.14	8.74	10.32	
103	1.75	64	6.416	112	11.229	663	14.57	23.03	39.93	69.51	1000	19.52	30.84	53.48	93.12	-	-	-	-	-	-	
104	1.78	36	3.609	64	6.416	652	7.97	12.60	21.84	38.02	984	10.79	17.05	29.57	51.48	-	-	-	6.14	7.75	9.34	
105	1.80	40	4.010	72	7.218	644	8.99	14.20	24.63	42.88	972	12.15	19.20	33.29	57.96	-	-	-	-	6.74	8.35	
106	1.80	80	8.020	144	14.437	644	17.92	28.31	49.10	85.47	972	23.87	37.71	65.39	113.84	-	-	-	-	-	-	
107	1.82	22	2.206	40	4.010	638	4.13	6.53	-	-	962	5.62	8.88	-	-	6.07	6.87	7.66	9.25	10.83	12.41	
108	1.82	44	4.411	80	8.020	638	9.98	15.76	27.34	47.59	962	13.47	21.28	36.90	64.24	-	-	-	-	-	7.34	
109	1.83	24	2.406	44	4.411	633	4.71	7.45	-	-	955	6.40	10.12	-	-	5.58	6.38	7.17	8.76	10.35	11.93	
110	1.85	26	2.607	48	4.812	628	5.28	8.35	-	-	948	7.17	11.33	-	-	5.08	5.88	6.68	8.27	9.86	11.44	
111	1.87	30	3.008	56	5.614	621	6.39	10.09	17.49	-	938	8.66	13.69	23.73	-	-	-	5.68	7.28	8.88	10.47	
112	1.88	48	4.812	90	9.023	619	10.94	17.29	29.97	52.19	933	14.74	23.30	40.39	70.33	-	-	-	-	-	-	
113	1.88	34	3.409	64	6.416	616	7.45	11.77	20.42	35.54	930	10.10	15.95	27.66	48.15	-	-	-	6.28	7.89	9.49	
114	1.89	38	3.810	72	7.218	612	8.48	13.40	23.24	40.47	924	11.48	18.13	31.44	54.75	-	-	-	-	6.88	8.49	
115	2.00	22	2.206	44	4.411	580	4.13	6.53	-	-	875	5.62	8.88	-	-	5.72	6.52	7.32	8.91	10.49	12.08	
116	2.00	24	2.406	48	4.812	580	4.71	7.45	-	-	875	6.40	10.12	-	-	5.22	6.02	6.82	8.42	10.01	11.59	
117	2.00	28	2.807	56	5.614	580	5.84	9.23	16.00	-	875	7.93	12.52	21.71	-	-	5.00	5.81	7.43	9.02	10.62	
118	2.00	32	3.208	64	6.416	580	6.92	10.94	18.97	-	875	9.39	14.83	25.71	-	-	-	-	6.41	8.03	9.63	
119	2.00	36	3.609	72	7.218	580	7.97	12.60	21.84	38.02	875	10.79	17.05	29.57	51.48	-	-	-	-	7.01	8.63	
120	2.00	40	4.010	80	8.020	580	8.99	14.20	24.63	42.88	875	12.15	19.20	33.29	57.96	-	-	-	-	-	7.61	
121	2.00	56	5.614	112	11.229	580	12.80	20.22	35.06	61.04	875	17.19	27.17	47.11	82.01	-	-	-	-	-	-	
122	2.00	72	7.218	144	14.437	580	16.28	25.72	44.60	77.64	875	21.74	34.35	59.57	103.71	-	-	-	-	-	-	
123	2.05	44	4.411	90	9.023	567	9.98	15.76	27.34	47.59	856	13.47	21.28	36.90	64.24	-	-	-	-	-	-	
124	2.11	38	3.810	80	8.020	551	8.48	13.40	23.24	40.47	831	11.48	18.13	31.44	54.75	-	-	-	-	-	7.75	
125	2.12	34	3.409	72	7.218	548	7.45	11.77	20.42	35.54	826	10.10	15.95	27.66	48.15	-	-	-	-	7.15	8.77	
126	2.13	30	3.008	64	6.416	544	6.39	10.09	17.49	-	820	8.66	13.69	23.73	-	-	-	-	6.55	8.17	9.77	
127	2.15	26	2.607	56	5.614	539	5.28	8.35	-	-	812	7.17	11.33	-	-	-	5.13	5.95	7.57	9.17	10.76	
128	2.18	22	2.206	48	4.812	532	4.13	6.53	-	-	802	5.62	8.88	-	-	5.35	6.16	6.96	8.56	10.15	11.74	
129	2.22	36	3.609	80	8.020	522	7.97	12.60	21.84	38.02	788	10.79	17.05	29.57	51.48	-	-	-	-	-	7.88	
130	2.25	32	3.208	72	7.218	516	6.92	10.94	18.97	-	778	9.39	14.83	25.71	-	-	-	-	-	7.28	8.91	
131	2.25	40	4.010	90	9.023	516	8.99	14.20	24.63	42.88	778	12.15	19.20	33.29	57.96	-	-	-	-	-	-	
132	2.25	64	6.416	144	14.437	516	14.57	23.03	39.93	69.51	778	19.52	30.84	53.48	93.12	-	-	-	-	-	-	
133	2.29	28	2.807	64	6.416	508	5.84	9.23	16.00	-	766	7.93	12.52	21.71	-	-	-	-	6.69	8.31	9.91	
134	2.33	24	2.406	56	5.614	497	4.71	7.45	-	-	750	6.40	10.12	-	-	-	5.27	6.09	7.71	9.31	10.91	
135	2.33	48	4.812	112	11.229	497	10.94	17.29	29.97	52.19	750	14.74	23.30	40.39	70.33	-	-	-	-	-	-	
136	2.35	34	3.409	80	8.020	493	7.45	11.77	20.42	35.54	744	10.10	15.95	27.66	48.15	-	-	-	-	-	8.01	
137	2.37	38	3.810	90	9.023	490	8.48	13.40	23.24	40.47	739	11.48	18.13	31.44	54.75	-	-	-	-	-	-	
138	2.40	30	3.008	72	7.218	483	6.39	10.09	17.49	-	729	8.66	13.69	23.73	-	-	-	-	-	7.42	9.05	
139	2.40	80	8.020	192	19.249	483	17.92	28.31	49.10	85.47	729	23.87	37.71	65.39	113.84	-	-	-	-	-	-	
140	2.46	26	2.607	64	6.416	471	5.28	8.35	-	-	711	7.17	11.33	-	-	-	-	-	6.82	8.45	10.06	
141	2.50	32	3.208	80	8.020	464	6.92	10.94	18.97	-	700	9.39	14.83	25.71	-	-	-	-	-	6.48	8.15	
142	2.50	36	3.609	90	9.023	464	7.97	12.60	21.84	38.02	700	10.79	17.05	29.57	51.48	-	-	-	-	-	-	
143	2.55	22	2.206	56	5.614	456	4.13	6.53	-	-	688	5.62	8.88	-	-	-	5.40	6.22	7.85	9.45	11.05	
144	2.55	44	4.411	112	11.229	456	9.98	15.76	27.34	47.59	688	13.47	21.28	36.90	64.24	-	-	-	-	-	-	
145	2.57	28	2.807	72	7.218	451	5.84	9.23	16.00	-	681	7.93	12.52	21.71	-	-	-	-	5.89	7.55	9.18	
146	2.57	56	5.614	144	14.437	451	12.80	20.22	35.06	61.04	681	17.19	27.17	47.11	82.01	-	-	-	-	-	-	
147	2.65	34	3.409	90	9.023	438	7.45	11.77	20.42	35.54	661	10.10	15.95	27.66	48.15	-	-	-	-	-	7.00	
148	2.67	24	2.406	64	6.416	435	4.71	7.45	-	-	656	6.40	10.12	-	-	-	-	-	5.29	6.96	8.58	10.20
149	2.67	30	3.008	80	8.020	435	6.39	10.09	-	-	656	7.93	12.52	21.71	-	-	-	-	-	-	8.28	
150	2.67	72	7.218	192	19.249	435	16.28	25.72	44.60	77.64	656	21.74	34.35	59.57	103.71	-	-	-	-	-	-	
Multiply Horsepower Listed by Length Correction Factor to Find Horsepower Rating -->																						
0.80	0.80	0.90	0.90	0.90	0.90																	



DISTRIBUIDOR MEX (55) 53 63 23 31  
 AUTORIZADO QRO (442) 1 95 72 60

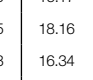
MTY (81) 83 54 10 18  
 ventas@industrialmagza.com



# Synchronous Plus Drive 8M

## Selection Tables

CENTER DISTANCE																Line no.
BELT LENGTH – Length Correction Factor																
960	1040	1120	1200	1224	1280	1440	1600	1760	1800	2000	2200	2400	2600	2800	3048	
1.00	1.00	1.00	1.00	1.00	1.10	1.10	1.10	1.10	1.20	1.20	1.20	1.20	1.20	1.20	1.20	
14.15	15.73	17.30	18.88	19.35	20.46	23.61	26.76	29.91	30.70	34.64	38.57	42.51	46.45	50.39	55.27	101
11.91	13.49	15.07	16.65	17.12	18.23	21.38	24.54	27.69	28.48	32.42	36.36	40.30	44.24	48.17	53.06	102
-	-	-	-	9.95	11.08	14.29	17.47	20.65	21.44	25.40	29.35	33.30	37.25	41.19	46.08	103
10.93	12.52	14.10	15.69	16.16	17.27	20.42	23.58	26.73	27.52	31.46	35.41	39.35	43.28	47.22	52.11	104
9.95	11.54	13.13	14.72	15.19	16.30	19.46	22.62	25.78	26.57	30.51	34.45	38.39	42.33	46.27	51.16	105
-	-	-	-	-	-	-	13.48	16.70	17.50	21.49	25.47	29.43	33.39	37.34	42.24	106
13.99	15.56	17.14	18.72	19.19	20.29	23.45	26.60	29.75	30.54	34.48	38.41	42.35	46.29	50.23	55.11	107
8.95	10.55	12.15	13.74	14.22	15.33	18.49	21.66	24.82	25.61	29.55	33.49	37.44	41.38	45.32	50.20	108
13.51	15.08	16.66	18.24	18.71	19.82	22.97	26.12	29.27	30.06	34.00	37.94	41.88	45.82	49.75	54.64	109
13.02	14.60	16.18	17.76	18.23	19.34	22.49	25.65	28.80	29.59	33.53	37.46	41.40	45.34	49.28	54.16	110
12.06	13.64	15.22	16.80	17.27	18.38	21.54	24.69	27.84	28.63	32.57	36.51	40.45	44.39	48.33	53.21	111
7.75	9.37	10.98	12.58	13.06	14.17	17.35	20.52	23.69	24.48	28.43	32.37	36.32	40.26	44.20	49.09	112
11.08	12.67	14.25	15.83	16.31	17.42	20.57	23.73	26.89	27.68	31.62	35.56	39.50	43.44	47.38	52.26	113
10.09	11.69	13.28	14.86	15.34	16.45	19.61	22.77	25.93	26.72	30.66	34.60	38.54	42.49	46.43	51.31	114
13.66	15.24	16.81	18.39	18.87	19.97	23.12	26.28	29.43	30.22	34.16	38.09	42.03	45.97	49.91	54.79	115
13.17	14.75	16.33	17.91	18.39	19.49	22.65	25.80	28.95	29.74	33.68	37.62	41.56	45.50	49.43	54.32	116
12.20	13.79	15.37	16.95	17.42	18.53	21.69	24.84	28.00	28.78	32.73	36.67	40.61	44.54	48.48	53.37	117
11.22	12.81	14.40	15.98	16.46	17.56	20.73	23.88	27.04	27.83	31.77	35.71	39.65	43.59	47.53	52.42	118
10.23	11.83	13.42	15.01	15.49	16.59	19.76	22.92	26.08	26.87	30.81	34.76	38.70	42.64	46.58	51.46	119
9.23	10.84	12.44	14.03	14.51	15.62	18.79	21.96	25.12	25.91	29.85	33.80	37.74	41.68	45.63	50.51	120
-	-	-	10.00	10.49	11.63	14.85	18.05	21.23	22.03	25.99	29.95	33.90	37.85	41.80	46.69	121
-	-	-	-	-	-	-	14.02	17.26	18.06	22.07	26.05	30.02	33.98	37.94	42.84	122
8.01	9.65	11.26	12.86	13.34	14.46	17.64	20.82	23.98	24.77	28.73	32.67	36.62	40.56	44.51	49.39	123
9.37	10.98	12.58	14.17	14.65	15.76	18.94	22.10	25.27	26.06	30.00	33.95	37.89	41.84	45.78	50.66	124
10.38	11.97	13.57	15.16	15.63	16.74	19.91	23.07	26.23	27.02	30.97	34.91	38.85	42.79	46.73	51.62	125
11.37	12.96	14.55	16.13	16.61	17.71	20.88	24.03	27.19	27.98	31.92	35.86	39.81	43.75	47.69	52.57	126
12.35	13.93	15.52	17.10	17.57	18.68	21.84	24.99	28.15	28.94	32.88	36.82	40.76	44.70	48.64	53.52	127
13.32	14.90	16.48	18.06	18.54	19.64	22.80	25.95	29.10	29.89	33.83	37.77	41.71	45.65	49.59	54.47	128
9.51	11.12	12.72	14.32	14.80	15.91	19.09	22.25	25.42	26.21	30.16	34.10	38.05	41.99	45.93	50.82	129
10.52	12.12	13.71	15.30	15.78	16.89	20.06	23.22	26.38	27.17	31.12	35.06	39.00	42.95	46.89	51.77	130
8.28	9.92	11.54	13.15	13.63	14.75	17.94	21.11	24.28	25.07	29.03	32.98	36.92	40.87	44.81	49.70	131
-	-	-	-	-	-	11.25	14.57	17.82	18.62	22.64	26.63	30.60	34.57	38.53	43.44	132
11.51	13.10	14.69	16.28	16.75	17.86	21.02	24.18	27.34	28.13	32.08	36.02	39.96	43.90	47.84	52.72	133
12.50	14.08	15.67	17.25	17.72	18.83	21.99	25.15	28.30	29.09	33.03	36.97	40.91	44.85	48.79	53.68	134
-	-	8.87	10.54	11.03	12.18	15.41	18.62	21.81	22.61	26.58	30.54	34.50	38.45	42.40	47.29	135
9.65	11.26	12.86	14.46	14.94	16.05	19.23	22.40	25.57	26.36	30.31	34.25	38.20	42.14	46.08	50.97	136
8.42	10.06	11.68	13.29	13.77	14.89	18.08	21.26	24.43	25.22	29.17	33.13	37.07	41.02	44.96	49.85	137
10.66	12.26	13.86	15.45	15.92	17.04	20.21	23.37	26.53	27.32	31.27	35.21	39.16	43.10	47.04	51.93	138
-	-	-	-	-	-	-	-	-	-	17.03	21.14	25.20	29.22	33.23	38.17	139
11.66	13.25	14.84	16.42	16.90	18.01	21.17	24.33	27.49	28.28	32.23	36.17	40.11	44.05	47.99	52.88	140
9.78	11.40	13.01	14.60	15.08	16.20	19.38	22.55	25.71	26.50	30.46	34.40	38.35	42.29	46.24	51.12	141
8.55	10.19	11.82	13.43	13.91	15.03	18.22	21.40	24.58	25.37	29.32	33.28	37.22	41.17	45.12	50.01	142
12.64	14.23	15.81	17.40	17.87	18.98	22.14	25.30	28.45	29.24	33.18	37.13	41.07	45.01	48.95	53.83	143
-	-	9.13	10.80	11.30	12.45	15.69	18.91	22.10	22.90	26.87	30.84	34.79	38.75	42.70	47.59	144
10.80	12.40	14.00	15.59	16.07	17.18	20.35	23.52	26.68	27.47	31.42	35.36	39.31	43.25	47.19	52.08	145
-	-	-	-	-	-	11.77	15.10	18.37	19.18	23.20	27.20	31.18	35.16	39.12	44.03	146
8.68	10.33	11.95	13.57	14.05	15.17	18.37	21.55	24.72	25.51	29.47	33.43	37.37	41.32	45.27	50.16	147
11.80	13.39	14.98	16.57	17.05	18.16	21.32	24.49	27.64	28.43	32.38	36.32	40.27	44.21	48.15	53.03	148
9.92	11.54	13.15	14.75	15.23	16.34	19.5	22.66	25.81	26.6	30.55	34.5	38.45	42.4	46.35	51.2	149
-	-	-	-	-	-	-	-	-	-	17.55	21.69	25.75	29.79	33.80	38.75	150
1.00	1.00	1.00	1.00	1.00	1.10	1.10	1.10	1.10	1.20	1.20	1.20	1.20	1.20	1.20	1.20	


**DISTRIBUIDOR AUTORIZADO** MEX (55) 53 63 23 31 MTY (81) 83 54 10 18  
 QRO (442) 1 95 72 60 45 ventas@industrialmagza.com

# Synchronous Plus Drive 8M

## Selection Tables

Line No.	Drive Ratio	Sprocket Combination				1160 RPM DriveR					1750 RPM DriveR								
		DRIVER		DRIVEN		DN RPM	Horsepower				DN RPM	Horsepower				720	800	880	
		Teeth	PD (in)	Teeth	PD (in)		20MM	30MM	50MM	85MM		20MM	30MM	50MM	85MM	0.90	0.90	0.90	
Multiply Horsepower Listed by Length Correction Factor to Find Horsepower Rating -->																			
151	2.77	26	2.607	72	7.218	419	5.28	8.35	-	-	632	7.17	11.33	-	-	6.01	7.69	9.32	
152	2.80	40	4.010	112	11.229	414	8.99	14.20	24.63	42.88	625	12.15	19.20	33.29	57.96	-	-	-	
153	2.81	32	3.208	90	9.023	412	6.92	10.94	18.97	-	622	9.39	14.83	25.71	-	-	-	7.12	
154	2.86	28	2.807	80	8.020	406	5.84	9.23	16.00	-	612	7.93	12.52	21.71	-	-	-	6.74	8.42
155	2.91	22	2.206	64	6.416	399	4.13	6.53	-	-	602	5.62	8.88	-	-	7.09	8.72	10.34	
156	2.95	38	3.810	112	11.229	394	8.48	13.40	23.24	40.47	594	11.48	18.13	31.44	54.75	-	-	-	
157	3.00	24	2.406	72	7.218	387	4.71	7.45	-	-	583	6.40	10.12	-	-	6.14	7.82	9.46	
158	3.00	30	3.008	90	9.023	387	6.39	10.09	17.49	-	583	8.66	13.69	23.73	-	-	-	7.25	
159	3.00	48	4.812	144	14.437	387	10.94	17.29	29.97	52.19	583	14.74	23.30	40.39	70.33	-	-	-	
160	3.00	64	6.416	192	19.249	387	14.57	23.03	39.93	69.51	583	19.52	30.84	53.48	93.12	-	-	-	
161	3.08	26	2.607	80	8.020	377	5.28	8.35	-	-	569	7.17	11.33	-	-	-	-	6.87	8.55
162	3.11	36	3.609	112	11.229	373	7.97	12.60	21.84	38.02	562	10.79	17.05	29.57	51.48	-	-	-	
163	3.21	28	2.807	90	9.023	361	5.84	9.23	16.00	-	544	7.93	12.52	21.71	-	-	-	7.38	
164	3.27	22	2.206	72	7.218	354	4.13	6.53	-	-	535	5.62	8.88	-	-	6.27	7.95	9.59	
165	3.27	44	4.411	144	14.437	354	9.98	15.76	27.34	47.59	535	13.47	21.28	36.90	64.24	-	-	-	
166	3.29	34	3.409	112	11.229	352	7.45	11.77	20.42	35.54	531	10.10	15.95	27.66	48.15	-	-	-	
167	3.33	24	2.406	80	8.020	348	4.71	7.45	-	-	525	6.40	10.12	-	-	-	-	7.00	8.68
168	3.43	56	5.614	192	19.249	338	12.80	20.22	35.06	61.04	510	17.19	27.17	47.11	82.01	-	-	-	
169	3.46	26	2.607	90	9.023	335	5.28	8.35	-	-	506	7.17	11.33	-	-	-	-	7.50	
170	3.50	32	3.208	112	11.229	331	6.92	10.94	18.97	-	500	9.39	14.83	25.71	-	-	-	-	
171	3.60	40	4.010	144	14.437	322	8.99	14.20	24.63	42.88	486	12.15	19.20	33.29	57.96	-	-	-	
172	3.64	22	2.206	80	8.020	319	4.13	6.53	-	-	481	5.62	8.88	-	-	-	-	7.12	8.81
173	3.73	30	3.008	112	11.229	311	6.39	10.09	17.49	-	469	8.66	13.69	23.73	-	-	-	-	
174	3.75	24	2.406	90	9.023	309	4.71	7.45	-	-	467	6.40	10.12	-	-	-	-	7.63	
175	3.79	38	3.810	144	14.437	306	8.48	13.40	23.24	40.47	462	11.48	18.13	31.44	54.75	-	-	-	
176	4.00	28	2.807	112	11.229	290	5.84	9.23	16.00	-	438	7.93	12.52	21.71	-	-	-	-	
177	4.00	36	3.609	144	14.437	290	7.97	12.60	21.84	38.02	438	10.79	17.05	29.57	51.48	-	-	-	
178	4.00	48	4.812	192	19.249	290	10.94	17.29	29.97	52.19	438	14.74	23.30	40.39	70.33	-	-	-	
179	4.09	22	2.206	90	9.023	284	4.13	6.53	-	-	428	5.62	8.88	-	-	-	-	7.75	
180	4.24	34	3.409	144	14.437	274	7.45	11.77	20.42	35.54	413	10.10	15.95	27.66	48.15	-	-	-	
181	4.31	26	2.607	112	11.229	269	5.28	8.35	-	-	406	7.17	11.33	-	-	-	-	-	
182	4.36	44	4.411	192	19.249	266	9.98	15.76	27.34	47.59	401	13.47	21.28	36.90	64.24	-	-	-	
183	4.50	32	3.208	144	14.437	258	6.92	10.94	18.97	-	389	9.39	14.83	25.71	-	-	-	-	
184	4.67	24	2.406	112	11.229	249	4.71	7.45	-	-	375	6.40	10.12	-	-	-	-	-	
185	4.80	30	3.008	144	14.437	242	6.39	10.09	17.49	-	365	8.66	13.69	23.73	-	-	-	-	
186	4.80	40	4.010	192	19.249	242	8.99	14.20	24.63	42.88	365	12.15	19.20	33.29	57.96	-	-	-	
187	5.05	38	3.810	192	19.249	230	8.48	13.40	23.24	40.47	346	11.48	18.13	31.44	54.75	-	-	-	
188	5.09	22	2.206	112	11.229	228	4.13	6.53	-	-	344	5.62	8.88	-	-	-	-	-	
189	5.14	28	2.807	144	14.437	226	5.84	9.23	16.00	-	340	7.93	12.52	21.71	-	-	-	-	
190	5.33	36	3.609	192	19.249	218	7.97	12.60	21.84	38.02	328	10.79	17.05	29.57	51.48	-	-	-	
191	5.54	26	2.607	144	14.437	209	5.28	8.35	-	-	316	7.17	11.33	-	-	-	-	-	
192	5.65	34	3.409	192	19.249	205	7.45	11.77	20.42	35.54	310	10.10	15.95	27.66	48.15	-	-	-	
193	6.00	24	2.406	144	14.437	193	4.71	7.45	-	-	292	6.40	10.12	-	-	-	-	-	
194	6.00	32	3.208	192	19.249	193	6.92	10.94	18.97	-	292	9.39	14.83	25.71	-	-	-	-	
195	6.40	30	3.008	192	19.249	181	6.39	10.09	17.49	-	273	8.66	13.69	23.73	-	-	-	-	
196	6.55	22	2.206	144	14.437	177	4.13	6.53	-	-	267	5.62	8.88	-	-	-	-	-	
197	6.86	28	2.807	192	19.249	169	5.84	9.23	16.00	-	255	7.93	12.52	21.71	-	-	-	-	
198	7.38	26	2.607	192	19.249	157	5.28	8.35	-	-	237	7.17	11.33	-	-	-	-	-	
199	8.00	24	2.406	192	19.249	145	4.71	7.45	-	-	219	6.40	10.12	-	-	-	-	-	
200	8.73	22	2.206	192	19.249	133	4.13	6.53	-	-	201	5.62	8.88	-	-	-	-	-	
Multiply Horsepower Listed by Length Correction Factor to Find Horsepower Rating -->																			
																0.90	0.90	0.90	




DISTRIBUIDOR MEX (55) 53 63 23 31 MTY (81) 83 54 10 18  
 AUTORIZADO QRO (442) 1 95 72 60 ventas@industrialmagza.com

# Synchronous Plus Drive 8M

## Selection Tables

CENTER DISTANCE																			Line No.
BELT LENGTH – Length Correction Factor																			
960	1040	1120	1200	1224	1280	1440	1600	1760	1800	2000	2200	2400	2600	2800	3048	3280	3600	4400	
1.00	1.00	1.00	1.00	1.00	1.10	1.10	1.10	1.10	1.20	1.20	1.20	1.20	1.20	1.20	1.20	1.20	1.20	1.20	
10.94	12.54	14.14	15.74	16.21	17.33	20.50	23.67	26.83	27.62	31.57	35.52	39.46	43.40	47.35	52.23	56.80	63.11	78.86	151
-	-	9.38	11.06	11.56	12.72	15.97	19.19	22.39	23.18	27.16	31.13	35.09	39.05	43.00	47.90	52.47	58.79	74.56	152
8.81	10.46	12.09	13.71	14.19	15.31	18.51	21.69	24.87	25.66	29.62	33.57	37.53	41.47	45.42	50.31	54.88	61.19	76.95	153
10.06	11.68	13.29	14.89	15.37	16.49	19.67	22.84	26.01	26.80	30.76	34.71	38.65	42.60	46.54	51.43	56.00	62.31	78.07	154
11.94	13.54	15.13	16.72	17.19	18.30	21.47	24.63	27.79	28.58	32.53	36.47	40.42	44.36	48.30	53.19	57.76	64.06	79.81	155
-	-	9.51	11.20	11.70	12.85	16.11	19.33	22.53	23.33	27.31	31.28	35.24	39.19	43.15	48.05	52.63	58.94	74.71	156
11.08	12.69	14.29	15.88	16.36	17.47	20.65	23.82	26.98	27.77	31.72	35.67	39.61	43.56	47.50	52.39	56.96	63.26	79.02	157
8.94	10.60	12.23	13.85	14.33	15.46	18.66	21.84	25.02	25.81	29.77	33.72	37.68	41.62	45.57	50.46	55.04	61.34	77.11	158
-	-	-	-	-	-	12.29	15.64	18.92	19.73	23.76	27.77	31.76	35.74	39.71	44.62	49.21	55.54	71.33	159
-	-	-	-	-	-	-	-	-	13.78	18.07	22.22	26.30	30.35	34.36	39.32	43.94	50.30	66.15	160
10.19	11.82	13.43	15.03	15.51	16.63	19.82	22.99	26.16	26.95	30.91	34.86	38.80	42.75	46.69	51.58	56.16	62.46	78.22	161
-	-	9.64	11.33	11.83	12.98	16.25	19.47	22.67	23.47	27.45	31.42	35.39	39.34	43.30	48.20	52.78	59.09	74.86	162
9.07	10.73	12.37	13.99	14.47	15.60	18.80	21.99	25.16	25.96	29.92	33.87	37.83	41.77	45.72	50.61	55.19	61.50	77.26	163
11.22	12.83	14.43	16.02	16.50	17.62	20.79	23.96	27.13	27.92	31.87	35.82	39.76	43.71	47.65	52.54	57.11	63.42	79.17	164
-	-	-	-	-	-	12.54	15.90	19.19	20.00	24.04	28.06	32.05	36.03	40.00	44.92	49.51	55.84	71.64	165
-	-	9.77	11.46	11.96	13.12	16.38	19.61	22.81	23.61	27.60	31.57	35.53	39.49	43.45	48.35	52.93	59.24	75.02	166
10.33	11.95	13.57	15.17	15.65	16.77	19.96	23.14	26.31	27.10	31.05	35.01	38.95	42.90	46.85	51.73	56.31	62.61	78.37	167
-	-	-	-	-	-	-	-	13.38	14.28	18.59	22.76	26.85	30.90	34.93	39.89	44.52	50.88	66.74	168
9.20	10.86	12.50	14.12	14.61	15.74	18.94	22.13	25.31	26.10	30.07	34.02	37.97	41.92	45.87	50.76	55.34	61.65	77.41	169
-	8.15	9.90	11.59	12.09	13.25	16.52	19.75	22.96	23.76	27.74	31.71	35.68	39.64	43.60	48.50	53.08	59.39	75.17	170
-	-	-	-	-	-	12.80	16.17	19.46	20.27	24.32	28.34	32.34	36.32	40.29	45.21	49.81	56.14	71.94	171
10.46	12.09	13.71	15.31	15.80	16.92	20.10	23.28	26.45	27.25	31.20	35.16	39.10	43.05	47.00	51.89	56.46	62.77	78.53	172
-	8.27	10.02	11.72	12.22	13.38	16.66	19.89	23.10	23.90	27.89	31.86	35.83	39.79	43.74	48.65	53.23	59.54	75.32	173
9.33	11.00	12.64	14.26	14.75	15.88	19.08	22.27	25.45	26.25	30.21	34.17	38.12	42.07	46.02	50.92	55.49	61.80	77.57	174
-	-	-	-	-	-	12.92	16.30	19.59	20.41	24.46	28.48	32.48	36.46	40.44	45.36	49.95	56.28	72.09	175
-	8.39	10.15	11.85	12.35	13.52	16.79	20.03	23.24	24.04	28.03	32.01	35.97	39.94	43.89	48.79	53.38	59.69	75.47	176
-	-	-	-	-	-	13.05	16.43	19.73	20.55	24.60	28.62	32.62	36.61	40.58	45.50	50.10	56.43	72.24	177
-	-	-	-	-	-	-	-	13.87	14.77	19.11	23.29	27.40	31.46	35.49	40.46	45.09	51.46	67.33	178
9.46	11.13	12.77	14.40	14.89	16.02	19.23	22.42	25.60	26.39	30.36	34.32	38.27	42.22	46.17	51.07	55.64	61.95	77.72	179
-	-	-	-	-	-	13.18	16.56	19.86	20.68	24.74	28.76	32.76	36.75	40.73	45.65	50.25	56.58	72.39	180
-	8.51	10.28	11.98	12.48	13.65	16.93	20.17	23.38	24.18	28.17	32.15	36.12	40.08	44.04	48.94	53.53	59.84	75.63	181
-	-	-	-	-	-	-	-	14.11	15.02	19.37	23.56	27.67	31.73	35.77	40.74	45.38	51.75	67.62	182
-	-	-	-	-	9.72	13.30	16.69	20.00	20.82	24.88	28.90	32.91	36.90	40.87	45.80	50.40	56.73	72.54	183
-	8.64	10.40	12.11	12.61	13.78	17.07	20.31	23.52	24.32	28.32	32.30	36.27	40.23	44.19	49.09	53.68	60.00	75.78	184
-	-	-	-	-	9.84	13.43	16.82	20.13	20.95	25.02	29.04	33.05	37.04	41.02	45.94	50.54	56.88	72.69	185
-	-	-	-	-	-	-	-	14.36	15.26	19.62	23.82	27.94	32.01	36.05	41.02	45.66	52.04	67.92	186
-	-	-	-	-	-	-	-	14.48	15.39	19.75	23.95	28.07	32.14	36.18	41.17	45.81	52.18	68.07	187
-	8.76	10.53	12.24	12.74	13.91	17.20	20.45	23.66	24.47	28.46	32.44	36.41	40.38	44.34	49.24	53.83	60.15	75.93	188
-	-	-	-	-	9.96	13.56	16.96	20.27	21.09	25.15	29.18	33.19	37.18	41.16	46.09	50.69	57.03	72.84	189
-	-	-	-	-	-	-	-	14.60	15.51	19.88	24.08	28.21	32.28	36.32	41.31	45.95	52.33	68.21	190
-	-	-	-	-	10.07	13.68	17.09	20.40	21.22	25.29	29.32	33.33	37.33	41.31	46.24	50.84	57.17	72.99	191
-	-	-	-	-	-	-	-	14.72	15.63	20.01	24.22	28.34	32.42	36.46	41.45	46.09	52.47	68.36	192
-	-	-	-	-	10.19	13.81	17.22	20.54	21.36	25.43	29.46	33.48	37.47	41.45	46.38	50.98	57.32	73.14	193
-	-	-	-	-	-	-	-	14.84	15.75	20.13	24.35	28.48	32.56	36.60	41.59	46.23	52.62	68.51	194
-	-	-	-	-	-	-	-	14.96	15.88	20.26	24.48	28.61	32.69	36.74	41.73	46.38	52.76	68.65	195
-	-	-	-	-	10.31	13.93	17.35	20.67	21.49	25.57	29.60	33.62	37.61	41.60	46.53	51.13	57.47	73.29	196
-	-	-	-	-	-	-	-	15.08	16.00	20.39	24.61	28.75	32.83	36.88	41.87	46.52	52.90	68.80	197
-	-	-	-	-	-	-	-	15.20	16.12	20.52	24.74	28.88	32.97	37.02	42.01	46.66	53.05	68.95	198
-	-	-	-	-	-	-	-	15.32	16.24	20.64	24.87	29.00	33.10	37.15	42.15	46.80	53.19	69.09	199
-	-	-	-	-	-	-	11.48	15.44	20.77	25.00	29.15	33.24	37.29	42.29	46.94	53.33	69.24	200	
1.00	1.00	1.00	1.00	1.00	1.10	1.10	1.10	1.10	1.20	1.20	1.20	1.20	1.20	1.20	1.20	1.20	1.20	1.20	


**DISTRIBUIDOR MEX (55) 53 63 23 31 MTY (81) 83 54 10 18**  
**AUTORIZADO QRO (442) 1 95 72 60 42 15 53 19 69 00**  
[ventas@industrialmagza.com](mailto:ventas@industrialmagza.com)



# Synchronous Plus Drive 14M

## Selection Tables

Line No.	Drive Ratio	Sprocket Combination				1160 RPM DriveR						1750 RPM DriveR							
		DRIVER		DRIVEN		DN	Horsepower					DN	Horsepower					966	1190
		Teeth	PD (in)	Teeth	PD (in)	RPM	40MM	55MM	85MM	115MM	170MM	RPM	40MM	55MM	85MM	115MM	170MM		
Multiply Horsepower Listed by Length Correction Factor to Find Horsepower Rating ->																	0.80	0.80	
1	1.00	28	4.913	28	4.913	1160	27.8	40.0	64.5	89.2	-	1750	37.9	54.6	87.9	121.6	-	11.30	15.71
2	1.00	29	5.088	29	5.088	1160	29.3	42.2	68.1	94.2	-	1750	39.9	57.4	92.5	128.0	-	11.02	15.43
3	1.00	30	5.263	30	5.263	1160	30.9	44.4	71.6	99.0	-	1750	41.8	60.2	97.0	134.3	-	10.75	15.16
4	1.00	32	5.614	32	5.614	1160	33.8	48.7	78.5	108.6	-	1750	45.7	65.8	105.9	146.6	-	10.20	14.61
5	1.00	34	5.965	34	5.965	1160	36.8	52.9	85.3	118.0	-	1750	49.4	71.1	114.6	158.6	-	9.65	14.06
6	1.00	36	6.316	36	6.316	1160	39.6	57.1	91.9	127.2	191.0	1750	53.0	76.4	123.0	170.2	255.6	9.09	13.50
7	1.00	38	6.667	38	6.667	1160	42.4	61.1	98.4	136.1	204.4	1750	56.6	81.5	131.3	181.6	272.6	8.54	12.95
8	1.00	40	7.018	40	7.018	1160	45.2	65.0	104.7	144.9	217.6	1750	60.0	86.4	139.3	192.7	289.3	-	12.40
9	1.00	44	7.720	44	7.720	1160	50.5	72.7	117.1	162.0	243.2	1750	66.7	96.0	154.7	214.1	321.4	-	11.30
10	1.00	48	8.421	48	8.421	1160	55.6	80.0	128.9	178.4	267.9	1750	73.1	105.2	169.5	234.5	352.1	-	10.20
11	1.00	52	9.123	52	9.123	1160	60.5	87.1	140.4	194.2	291.7	1750	79.1	113.9	183.6	254.0	381.4	-	-
12	1.00	56	9.825	56	9.825	1160	65.3	94.0	151.4	209.5	314.6	1750	84.9	122.3	197.1	272.7	409.4	-	-
13	1.00	60	10.527	60	10.527	1160	69.9	100.6	162.1	224.3	336.8	1750	90.5	130.4	210.0	290.6	436.3	-	-
14	1.00	64	11.229	64	11.229	1160	74.3	107.0	172.5	238.6	358.3	1750	95.9	138.1	222.4	307.7	462.1	-	-
15	1.00	68	11.930	68	11.930	1160	78.7	113.3	182.5	252.5	379.1	1750	101.0	145.5	234.4	324.3	486.9	-	-
16	1.00	72	12.632	72	12.632	1160	82.8	119.3	192.2	265.9	399.3	1750	106.0	152.6	245.8	340.1	510.7	-	-
17	1.00	80	14.036	80	14.036	1160	90.9	130.8	210.8	291.6	437.9	1750	115.3	166.0	267.5	370.1	555.7	-	-
18	1.03	29	5.088	30	5.263	1121	29.3	42.2	68.1	94.2	-	1692	39.9	57.4	92.5	128.0	-	10.89	15.29
19	1.04	28	4.913	29	5.088	1120	27.8	40.0	64.5	89.2	-	1690	37.9	54.6	87.9	121.6	-	11.16	15.57
20	1.05	38	6.667	40	7.018	1102	42.4	61.1	98.4	136.1	204.4	1662	56.6	81.5	131.3	181.6	272.7	8.27	12.68
21	1.06	36	6.316	38	6.667	1099	39.6	57.1	91.9	127.2	191.0	1658	53.0	76.4	123.0	170.2	255.6	8.82	13.23
22	1.06	34	5.965	36	6.316	1096	36.8	52.9	85.3	118.0	-	1653	49.4	71.1	114.6	158.6	-	9.37	13.78
23	1.06	68	11.930	72	12.632	1096	78.7	113.3	182.5	252.5	379.1	1653	101.0	145.5	234.4	324.3	486.9	-	-
24	1.06	32	5.614	34	5.965	1092	33.8	48.7	78.5	108.6	-	1647	45.7	65.8	105.9	146.6	-	9.92	14.33
25	1.06	64	11.229	68	11.930	1092	74.3	107.0	172.5	238.6	358.3	1647	95.9	138.1	222.4	307.7	462.1	-	-
26	1.07	30	5.263	32	5.614	1088	30.9	44.4	71.6	99.0	-	1641	41.8	60.2	97.0	134.3	-	10.47	14.88
27	1.07	60	10.527	64	11.229	1088	69.9	100.6	162.1	224.3	336.8	1641	90.5	130.4	210.0	290.6	436.3	-	-
28	1.07	28	4.913	30	5.263	1083	27.8	40.0	64.5	89.2	-	1633	37.9	54.6	87.9	121.6	-	11.02	15.43
29	1.07	56	9.825	60	10.527	1083	65.3	94.0	151.4	209.5	314.6	1633	84.9	122.3	197.1	272.7	409.4	-	-
30	1.08	52	9.123	56	9.825	1077	60.5	87.1	140.4	194.2	291.7	1625	79.1	113.9	183.6	254.0	381.4	-	-
31	1.08	48	8.421	52	9.123	1071	55.6	80.0	128.9	178.4	267.9	1615	73.1	105.2	169.5	234.5	352.1	-	-
32	1.09	44	7.720	48	8.421	1063	50.5	72.7	117.1	162.0	243.2	1604	66.7	96.0	154.7	214.1	321.4	-	10.74
33	1.10	40	7.018	44	7.720	1055	45.2	65.0	104.7	144.9	217.6	1591	60.0	86.4	139.3	192.7	289.3	-	11.85
34	1.10	29	5.088	32	5.614	1051	29.3	42.2	68.1	94.2	-	1586	39.9	57.4	92.5	128.0	-	10.61	15.02
35	1.11	36	6.316	40	7.018	1044	39.6	57.1	91.9	127.2	191.0	1575	53.0	76.4	123.0	170.2	255.6	8.54	12.95
36	1.11	72	12.632	80	14.036	1044	82.8	119.3	192.2	265.9	399.3	1575	106.0	152.6	245.8	340.1	510.7	-	-
37	1.12	34	5.965	38	6.667	1038	36.8	52.9	85.3	118.0	-	1566	49.4	71.1	114.6	158.6	-	9.09	13.50
38	1.13	32	5.614	36	6.316	1031	33.8	48.7	78.5	108.6	-	1556	45.7	65.8	105.9	146.6	-	9.64	14.05
39	1.13	64	11.229	72	12.632	1031	74.3	107.0	172.5	238.6	358.3	1556	95.9	138.1	222.4	307.7	462.1	-	-
40	1.13	80	14.036	90	15.790	1031	90.9	130.8	210.8	291.6	437.9	1556	115.3	166.0	267.5	370.1	555.7	-	-
41	1.13	30	5.263	34	5.965	1024	30.9	44.4	71.6	99.0	-	1544	41.8	60.2	97.0	134.3	-	10.19	14.60
42	1.13	60	10.527	68	11.930	1024	69.9	100.6	162.1	224.3	336.8	1544	90.5	130.4	210.0	290.6	436.3	-	-
43	1.14	28	4.913	32	5.614	1015	27.8	40.0	64.5	89.2	-	1531	37.9	54.6	87.9	121.6	-	10.74	15.15
44	1.14	56	9.825	64	11.229	1015	65.3	94.0	151.4	209.5	314.6	1531	84.9	122.3	197.1	272.7	409.4	-	-
45	1.15	52	9.123	60	10.527	1005	60.5	87.1	140.4	194.2	291.7	1517	79.1	113.9	183.6	254.0	381.4	-	-
46	1.16	38	6.667	44	7.720	1002	42.4	61.1	98.4	136.1	204.4	1511	56.6	81.5	131.3	181.6	272.7	-	12.11
47	1.17	48	8.421	56	9.825	994	55.6	80.0	128.9	178.4	267.9	1500	73.1	105.2	169.5	234.5	352.1	-	-
48	1.17	29	5.088	34	5.965	989	29.3	42.2	68.1	94.2	-	1493	39.9	57.4	92.5	128.0	-	10.33	14.74
49	1.18	34	5.965	40	7.018	986	36.8	52.9	85.3	118.0	-	1488	49.4	71.1	114.6	158.6	-	8.80	13.22
50	1.18	68	11.930	80	14.036	986	78.7	113.3	182.5	252.5	379.1	1488	101.0	145.5	234.4	324.3	486.9	-	-
51	1.18	44	7.720	52	9.123	982	50.5	72.7	117.1	162.0	243.2	1481	66.7	96.0	154.7	214.1	321.4	-	10.17
Multiply Horsepower Listed by Length Correction Factor to Find Horsepower Rating ->																	0.80	0.80	

# Synchronous Plus Drive 14M

## Selection Tables

CENTER DISTANCE																				Line No.	
BELT LENGTH - Length Correction Factor																					
1400	1610	1778	1890	2100	2310	2450	2590	2800	3150	3360	3500	3850	4326	4578	4956	5320	5740	6160	6860		
0.90	0.90	0.95	0.95	1.00	1.00	1.00	1.05	1.05	1.05	1.10	1.10	1.10	1.10	1.10	1.10	1.10	1.10	1.10	1.10	1.10	1
19.84	23.98	27.28	29.49	33.62	37.76	40.51	43.27	47.40	54.29	58.43	61.18	68.07	77.44	82.40	89.84	97.01	105.28	113.54	127.32	1	
19.57	23.70	27.01	29.21	33.35	37.48	40.24	42.99	47.13	54.02	58.15	60.91	67.80	77.17	82.13	89.57	96.73	105.00	113.27	127.05	2	
19.29	23.43	26.73	28.94	33.07	37.20	39.96	42.72	46.85	53.74	57.87	60.63	67.52	76.89	81.85	89.29	96.46	104.72	112.99	126.77	3	
18.74	22.87	26.18	28.39	32.52	36.65	39.41	42.17	46.30	53.19	57.32	60.08	66.97	76.34	81.30	88.74	95.91	104.17	112.44	126.22	4	
18.19	22.32	25.63	27.83	31.97	36.10	38.86	41.61	45.75	52.64	56.77	59.53	66.42	75.79	80.75	88.19	95.35	103.62	111.89	125.67	5	
17.64	21.77	25.08	27.28	31.42	35.55	38.31	41.06	45.20	52.09	56.22	58.98	65.87	75.24	80.20	87.64	94.80	103.07	111.34	125.12	6	
17.09	21.22	24.53	26.73	30.87	35.00	37.76	40.51	44.65	51.54	55.67	58.43	65.31	74.69	79.65	87.09	94.25	102.52	110.79	124.57	7	
16.54	20.67	23.98	26.18	30.31	34.45	37.20	39.96	44.09	50.98	55.12	57.87	64.76	74.13	79.09	86.54	93.70	101.97	110.24	124.02	8	
15.43	19.57	22.87	25.08	29.21	33.35	36.10	38.86	42.99	49.88	54.02	56.77	63.66	73.03	77.99	85.43	92.60	100.87	109.13	122.91	9	
14.33	18.46	21.77	23.98	28.11	32.24	35.00	37.76	41.89	48.78	52.91	55.67	62.56	71.93	76.89	84.33	91.50	99.76	108.03	121.81	10	
13.23	17.36	20.67	22.87	27.01	31.14	33.90	36.65	40.79	47.68	51.81	54.57	61.46	70.83	75.79	83.23	90.39	98.66	106.93	120.71	11	
12.13	16.26	19.57	21.77	25.91	30.04	32.80	35.55	39.68	46.57	50.71	53.46	60.35	69.72	74.68	82.13	89.29	97.56	105.83	119.61	12	
-	15.16	18.46	20.67	24.80	28.94	31.69	34.45	38.58	45.47	49.61	52.36	59.25	68.62	73.58	81.02	88.19	96.46	104.72	118.50	13	
-	14.06	17.36	19.57	23.70	27.83	30.59	33.35	37.48	44.37	48.50	51.26	58.15	67.52	72.48	79.92	87.09	95.35	103.62	117.40	14	
-	-	16.26	18.46	22.60	26.73	29.49	32.24	36.38	43.27	47.40	50.16	57.05	66.42	71.38	78.82	85.98	94.25	102.52	116.30	15	
-	-	15.16	17.36	21.50	25.63	28.39	31.14	35.28	42.17	46.30	49.06	55.94	65.31	70.28	77.72	84.88	93.15	101.42	115.20	16	
-	-	-	-	19.29	23.43	26.18	28.94	33.07	39.96	44.09	46.85	53.74	63.11	68.07	75.51	82.68	90.94	99.21	112.99	17	
19.43	23.56	26.87	29.07	33.21	37.34	40.10	42.85	46.99	53.88	58.01	60.77	67.66	77.03	81.99	89.43	96.59	104.86	113.13	126.91	18	
19.70	23.84	27.15	29.35	33.48	37.62	40.37	43.13	47.26	54.15	58.29	61.04	67.93	77.30	82.26	89.70	96.87	105.14	113.41	127.18	19	
16.81	20.94	24.25	26.46	30.59	34.72	37.48	40.24	44.37	51.26	55.39	58.15	65.04	74.41	79.37	86.81	93.98	102.24	110.51	124.29	20	
17.36	21.50	24.80	27.01	31.14	35.28	38.03	40.79	44.92	51.81	55.94	58.70	65.59	74.96	79.92	87.36	94.53	102.80	111.06	124.84	21	
17.91	22.05	25.35	27.56	31.69	35.83	38.58	41.34	45.47	52.36	56.50	59.25	66.14	75.51	80.47	87.91	95.08	103.35	111.61	125.39	22	
-	-	15.70	17.91	22.04	26.18	28.93	31.69	35.82	42.72	46.85	49.60	56.49	65.87	70.83	78.27	85.43	93.70	101.97	115.75	23	
18.46	22.60	25.90	28.11	32.24	36.38	39.13	41.89	46.02	52.91	57.05	59.80	66.69	76.06	81.02	88.46	95.63	103.90	112.17	125.94	24	
-	13.50	16.81	19.01	23.15	27.28	30.04	32.79	36.93	43.82	47.95	50.71	57.60	66.97	71.93	79.37	86.53	94.80	103.07	116.85	25	
19.01	23.15	26.46	28.66	32.79	36.93	39.68	42.44	46.57	53.46	57.60	60.35	67.24	76.61	81.57	89.02	96.18	104.45	112.72	126.50	26	
-	14.60	17.91	20.11	24.25	28.38	31.14	33.90	38.03	44.92	49.05	51.81	58.70	68.07	73.03	80.47	87.64	95.90	104.17	117.95	27	
19.57	23.70	27.01	29.21	33.35	37.48	40.24	42.99	47.13	54.02	58.15	60.91	67.80	77.17	82.13	89.57	96.73	105.00	113.27	127.05	28	
11.57	15.70	19.01	21.22	25.35	29.49	32.24	35.00	39.13	46.02	50.16	52.91	59.80	69.17	74.13	81.57	88.74	97.01	105.27	119.05	29	
12.67	16.81	20.12	22.32	26.45	30.59	33.34	36.10	40.23	47.12	51.26	54.01	60.90	70.27	75.24	82.68	89.84	98.11	106.38	120.16	30	
13.78	17.91	21.22	23.42	27.56	31.69	34.45	37.20	41.34	48.23	52.36	55.12	62.01	71.38	76.34	83.78	90.94	99.21	107.48	121.26	31	
14.88	19.01	22.32	24.53	28.66	32.79	35.55	38.31	42.44	49.33	53.46	56.22	63.11	72.48	77.44	84.88	92.05	100.31	108.58	122.36	32	
15.98	20.12	23.42	25.63	29.76	33.90	36.65	39.41	43.54	50.43	54.57	57.32	64.21	73.58	78.54	85.98	93.15	101.42	109.68	123.46	33	
19.15	23.29	26.59	28.80	32.93	37.07	39.82	42.58	46.71	53.60	57.74	60.49	67.38	76.75	81.71	89.15	96.32	104.59	112.85	126.63	34	
17.08	21.22	24.53	26.73	30.86	35.00	37.75	40.51	44.64	51.53	55.67	58.42	65.31	74.68	79.64	87.09	94.25	102.52	110.79	124.57	35	
-	-	-	16.24	20.38	24.52	27.27	30.03	34.17	41.06	45.19	47.95	54.84	64.21	69.17	76.61	83.78	92.04	100.31	114.09	36	
17.63	21.77	25.08	27.28	31.42	35.55	38.31	41.06	45.20	52.09	56.22	58.98	65.87	75.24	80.20	87.64	94.80	103.07	111.34	125.12	37	
18.19	22.32	25.63	27.83	31.97	36.10	38.86	41.61	45.75	52.64	56.77	59.53	66.42	75.79	80.75	88.19	95.35	103.62	111.89	125.67	38	
-	-	16.24	18.45	22.59	26.72	29.48	32.24	36.37	43.26	47.40	50.15	57.04	66.41	71.37	78.82	85.98	94.25	102.52	116.30	39	
-	-	-	-	17.89	22.03	24.79	27.55	31.68	38.57	42.71	45.46	52.35	61.73	66.69	74.13	81.29	89.56	97.83	111.61	40	
18.74	22.87	26.18	28.38	32.52	36.65	39.41	42.16	46.30	53.19	57.32	60.08	66.97	76.34	81.30	88.74	95.90	104.17	112.44	126.22	41	
-	14.04	17.35	19.55	23.69	27.83	30.58	33.34	37.47	44.36	48.50	51.25	58.15	67.52	72.48	79.92	87.08	95.35	103.62	117.40	42	
19.29	23.42	26.73	28.93	33.07	37.20	39.96	42.72	46.85	53.74	57.87	60.63	67.52	76.89	81.85	89.29	96.46	104.72	112.99	126.77	43	
-	15.14	18.45	20.66	24.79	28.93	31.69	34.44	38.58	45.47	49.60	52.36	59.25	68.62	73.58	81.02	88.19	96.46	104.72	118.50	44	
12.11	16.24	19.55	21.76	25.90	30.03	32.79	35.54	39.68	46.57	50.70	53.46	60.35	69.72	74.68	82.12	89.29	97.56	105.82	119.60	45	
16.25	20.39	23.69	25.90	30.03	34.17	36.93	39.68	43.82	50.71	54.84	57.60	64.49	73.86	78.82	86.26	93.42	101.69	109.96	123.74	46	
13.21	17.35	20.66	22.86	27.00	31.13	33.89	36.65	40.78	47.67	51.81	54.56	61.45	70.82	75.78	83.23	90.39	98.66	106.93	120.71	47	
18.87	23.01	26.32	28.52	32.65	36.79	39.54	42.30	46.43	53.32	57.46	60.21	67.10	76.48	81.44	88.88	96.04	104.31	112.58	126.36	48	
17.35	21.49	24.80	27.00	31.14	35.27	38.03	40.78	44.92	51.81	55.94	58.70	65.59	74.96	79.92	87.36	94.53	102.80	111.06	124.84	49	
-	-	14.57	16.78	20.92	25.06	27.81	30.57	34.71	41.60	45.74	48.49	55.38	64.75	69.71	77.15	84.31	92.58	100.85	114.63	50	
14.31	18.45	21.76	23.97	28.10	32.24	34.99	37.75	41.88	48.77	52.91	55.66	62.56	71.93	76.89	84.33	91.49	99.76	108.03	121.81	51	
0.90	0.90	0.95	0.95	1.00	1.00	1.00	1.05	1.05	1.05	1.10	1.10	1.10	1.10	1.10	1.10	1.10	1.10	1.10	1.10	1.10	

# Synchronous Plus Drive 14M

## Selection Tables

Line No.	Drive Ratio	Sprocket Combination				1160 RPM DriveR						1750 RPM DriveR						966	1190
		DRIVER		DRIVEN		DN	Horsepower					DN	Horsepower						
		Teeth	PD (in)	Teeth	PD (in)		RPM	40MM	55MM	85MM	115MM		170MM	RPM	40MM	55MM	85MM		
<b>Multiply Horsepower Listed by Length Correction Factor to Find Horsepower Rating --&gt;</b>																	<b>0.80</b>	<b>0.80</b>	
52	1.19	32	5.614	38	6.667	977	33.8	48.7	78.5	108.6	-	1474	45.7	65.8	105.9	146.6	-	9.36	13.77
53	1.20	30	5.263	36	6.316	967	30.9	44.4	71.6	99.0	-	1458	41.8	60.2	97.0	134.3	-	9.91	14.32
54	1.20	40	7.018	48	8.421	967	45.2	65.0	104.7	144.9	217.6	1458	60.0	86.4	139.3	192.7	289.3	-	11.28
55	1.20	60	10.527	72	12.632	967	69.9	100.6	162.1	224.3	336.8	1458	90.5	130.4	210.0	290.6	436.3	-	-
56	1.21	28	4.913	34	5.965	955	27.8	40.0	64.5	89.2	-	1441	37.9	54.6	87.9	121.6	-	10.46	14.87
57	1.21	56	9.825	68	11.930	955	65.3	94.0	151.4	209.5	314.6	1441	84.9	122.3	197.1	272.7	409.4	-	-
58	1.22	36	6.316	44	7.720	949	39.6	57.1	91.9	127.2	191.0	1432	53.0	76.4	123.0	170.2	255.6	-	12.38
59	1.23	52	9.123	64	11.229	942	60.5	87.1	140.4	194.2	291.7	1422	79.1	113.9	183.6	254.0	381.4	-	-
60	1.24	29	5.088	36	6.316	934	29.3	42.2	68.1	94.2	-	1410	39.9	57.4	92.5	128.0	-	10.04	14.46
61	1.25	32	5.614	40	7.018	928	33.8	48.7	78.5	108.6	-	1400	45.7	65.8	105.9	146.6	-	9.07	13.49
62	1.25	48	8.421	60	10.527	928	55.6	80.0	128.9	178.4	267.9	1400	73.1	105.2	169.5	234.5	352.1	-	-
63	1.25	64	11.229	80	14.036	928	74.3	107.0	172.5	238.6	358.3	1400	95.9	138.1	222.4	307.7	462.1	-	-
64	1.25	72	12.632	90	15.790	928	82.8	119.3	192.2	265.9	399.3	1400	106.0	152.6	245.8	340.1	510.7	-	-
65	1.26	38	6.667	48	8.421	918	42.4	61.1	98.4	136.1	204.4	1385	56.6	81.5	131.3	181.6	272.7	-	11.54
66	1.27	30	5.263	38	6.667	916	30.9	44.4	71.6	99.0	-	1382	41.8	60.2	97.0	134.3	-	9.62	14.04
67	1.27	44	7.720	56	9.825	911	50.5	72.7	117.1	162.0	243.2	1375	66.7	96.0	154.7	214.1	321.4	-	-
68	1.29	28	4.913	36	6.316	902	27.8	40.0	64.5	89.2	-	1361	37.9	54.6	87.9	121.6	-	10.17	14.59
69	1.29	56	9.825	72	12.632	902	65.3	94.0	151.4	209.5	314.6	1361	84.9	122.3	197.1	272.7	409.4	-	-
70	1.29	34	5.965	44	7.720	896	36.8	52.9	85.3	118.0	-	1352	49.4	71.1	114.6	158.6	-	8.22	12.65
71	1.30	40	7.018	52	9.123	892	45.2	65.0	104.7	144.9	217.6	1346	60.0	86.4	139.3	192.7	289.3	-	10.70
72	1.31	52	9.123	68	11.930	887	60.5	87.1	140.4	194.2	291.7	1338	79.1	113.9	183.6	254.0	381.4	-	-
73	1.31	29	5.088	38	6.667	885	29.3	42.2	68.1	94.2	-	1336	39.9	57.4	92.5	128.0	-	9.75	14.17
74	1.32	68	11.930	90	15.790	876	78.7	113.3	182.5	252.5	379.1	1322	101.0	145.5	234.4	324.3	486.9	-	-
75	1.33	30	5.263	40	7.018	870	30.9	44.4	71.6	99.0	-	1312	41.8	60.2	97.0	134.3	-	9.33	13.75
76	1.33	36	6.316	48	8.421	870	39.6	57.1	91.9	127.2	191.0	1312	53.0	76.4	123.0	170.2	255.6	-	11.80
77	1.33	48	8.421	64	11.229	870	55.6	80.0	128.9	178.4	267.9	1312	73.1	105.2	169.5	234.5	352.1	-	-
78	1.33	60	10.527	80	14.036	870	69.9	100.6	162.1	224.3	336.8	1312	90.5	130.4	210.0	290.6	436.3	-	-
79	1.36	28	4.913	38	6.667	855	27.8	40.0	64.5	89.2	-	1289	37.9	54.6	87.9	121.6	-	9.88	14.30
80	1.36	44	7.720	60	10.527	851	50.5	72.7	117.1	162.0	243.2	1283	66.7	96.0	154.7	214.1	321.4	-	-
81	1.37	38	6.667	52	9.123	848	42.4	61.1	98.4	136.1	204.4	1279	56.6	81.5	131.3	181.6	272.7	-	10.95
82	1.38	32	5.614	44	7.720	844	33.8	48.7	78.5	108.6	-	1273	45.7	65.8	105.9	146.6	-	8.48	12.91
83	1.38	29	5.088	40	7.018	841	29.3	42.2	68.1	94.2	-	1269	39.9	57.4	92.5	128.0	-	9.46	13.88
84	1.38	52	9.123	72	12.632	838	60.5	87.1	140.4	194.2	291.7	1264	79.1	113.9	183.6	254.0	381.4	-	-
85	1.40	40	7.018	56	9.825	829	45.2	65.0	104.7	144.9	217.6	1250	60.0	86.4	139.3	192.7	289.3	-	10.10
86	1.40	80	14.036	112	19.650	829	90.9	130.8	210.8	291.6	437.9	1250	115.3	166.0	267.5	370.1	555.7	-	-
87	1.41	64	11.229	90	15.790	825	74.3	107.0	172.5	238.6	358.3	1244	95.9	138.1	222.4	307.7	462.1	-	-
88	1.41	34	5.965	48	8.421	822	36.8	52.9	85.3	118.0	-	1240	49.4	71.1	114.6	158.6	-	-	12.06
89	1.42	48	8.421	68	11.930	819	55.6	80.0	128.9	178.4	267.9	1235	73.1	105.2	169.5	234.5	352.1	-	-
90	1.43	28	4.913	40	7.018	812	27.8	40.0	64.5	89.2	-	1225	37.9	54.6	87.9	121.6	-	9.59	14.02
91	1.43	56	9.825	80	14.036	812	65.3	94.0	151.4	209.5	314.6	1225	84.9	122.3	197.1	272.7	409.4	-	-
92	1.44	36	6.316	52	9.123	803	39.6	57.1	91.9	127.2	191.0	1212	53.0	76.4	123.0	170.2	255.6	-	11.21
93	1.45	44	7.720	64	11.229	798	50.5	72.7	117.1	162.0	243.2	1203	66.7	96.0	154.7	214.1	321.4	-	-
94	1.47	30	5.263	44	7.720	791	30.9	44.4	71.6	99.0	-	1193	41.8	60.2	97.0	134.3	-	8.73	13.17
95	1.47	38	6.667	56	9.825	787	42.4	61.1	98.4	136.1	204.4	1188	56.6	81.5	131.3	181.6	272.7	-	10.35
96	1.50	32	5.614	48	8.421	773	33.8	48.7	78.5	108.6	-	1167	45.7	65.8	105.9	146.6	-	-	12.32
97	1.50	40	7.018	60	10.527	773	45.2	65.0	104.7	144.9	217.6	1167	60.0	86.4	139.3	192.7	289.3	-	-
98	1.50	48	8.421	72	12.632	773	55.6	80.0	128.9	178.4	267.9	1167	73.1	105.2	169.5	234.5	352.1	-	-
99	1.50	60	10.527	90	15.790	773	69.9	100.6	162.1	224.3	336.8	1167	90.5	130.4	210.0	290.6	436.3	-	-
100	1.52	29	5.088	44	7.720	765	29.3	42.2	68.1	94.2	-	1153	39.9	57.4	92.5	128.0	-	8.86	13.30
101	1.53	34	5.965	52	9.123	758	36.8	52.9	85.3	118.0	-	1140	49.4	71.1	114.6	158.6	-	-	11.47
102	1.54	52	9.123	80	14.036	754	60.5	87.1	140.4	194.2	291.7	1138	79.1	113.9	183.6	254.0	381.4	-	-
<b>Multiply Horsepower Listed by Length Correction Factor to Find Horsepower Rating --&gt;</b>																	<b>0.80</b>	<b>0.80</b>	




DISTRIBUIDOR MEX (55) 53 63 23 31 MTY (81) 83 54 10 18  
 AUTORIZADO QRO (442) 1 95 72 60 ventas@industrialmagza.com

# Synchronous Plus Drive 14M

## Selection Tables

CENTER DISTANCE																			Line No.	
BELT LENGTH - Length Correction Factor																				
1400	1610	1778	1890	2100	2310	2450	2590	2800	3150	3360	3500	3850	4326	4578	4956	5320	5740	6160		6860
0.90	0.90	0.95	0.95	1.00	1.00	1.00	1.05	1.05	1.05	1.10	1.10	1.10	1.10	1.10	1.10	1.10	1.10	1.10	1.10	52
17.91	22.04	25.35	27.55	31.69	35.82	38.58	41.34	45.47	52.36	56.49	59.25	66.14	75.51	80.47	87.91	95.08	103.35	111.61	125.39	53
18.46	22.59	25.90	28.11	32.24	36.37	39.13	41.89	46.02	52.91	57.04	59.80	66.69	76.06	81.02	88.46	95.63	103.90	112.16	125.94	54
15.42	19.55	22.86	25.07	29.20	33.34	36.10	38.85	42.99	49.88	54.01	56.77	63.66	73.03	77.99	85.43	92.60	100.86	109.13	122.91	55
--	13.46	16.78	18.99	23.13	27.26	30.02	32.78	36.91	43.81	47.94	50.70	57.59	66.96	71.92	79.36	86.53	94.80	103.07	116.85	56
19.01	23.14	26.45	28.66	32.79	36.93	39.68	42.44	46.57	53.46	57.60	60.35	67.24	76.61	81.57	89.01	96.18	104.45	112.72	126.49	57
--	14.57	17.88	20.09	24.23	28.37	31.12	33.88	38.02	44.91	49.04	51.80	58.69	68.06	73.02	80.47	87.63	95.90	104.17	117.95	58
16.52	20.66	23.97	26.17	30.31	34.44	37.20	39.95	44.09	50.98	55.11	57.87	64.76	74.13	79.09	86.53	93.70	101.97	110.23	124.01	59
11.53	15.67	18.99	21.19	25.33	29.47	32.23	34.98	39.12	46.01	50.15	52.90	59.79	69.17	74.13	81.57	88.73	97.00	105.27	119.05	60
18.59	22.73	26.04	28.24	32.38	36.51	39.27	42.02	46.16	53.05	57.18	59.94	66.83	76.20	81.16	88.60	95.77	104.03	112.30	126.08	61
17.62	21.76	25.07	27.27	31.41	35.54	38.30	41.06	45.19	52.08	56.22	58.97	65.86	75.23	80.19	87.63	94.80	103.07	111.34	125.12	62
12.63	16.78	20.09	22.30	26.44	30.57	33.33	36.09	40.22	47.11	51.25	54.01	60.90	70.27	75.23	82.67	89.84	98.10	106.37	120.15	63
--	--	15.09	17.31	21.45	25.59	28.35	31.11	35.25	42.14	46.28	49.03	55.93	65.30	70.26	77.70	84.87	93.14	101.41	115.19	64
--	--	--	--	18.95	23.10	25.86	28.62	32.76	39.65	43.79	46.55	53.44	62.81	67.78	75.22	82.39	90.66	98.92	112.71	65
15.68	19.82	23.13	25.34	29.48	33.61	36.37	39.12	43.26	50.15	54.28	57.04	63.93	73.30	78.26	85.70	92.87	101.14	109.41	123.19	66
18.18	22.31	25.62	27.83	31.96	36.10	38.85	41.61	45.74	52.63	56.77	59.52	66.41	75.78	80.74	88.19	95.35	103.62	111.89	125.67	67
13.74	17.88	21.19	23.40	27.54	31.68	34.43	37.19	41.33	48.22	52.35	55.11	62.00	71.37	76.33	83.77	90.94	99.21	107.48	121.26	68
18.73	22.86	26.17	28.38	32.51	36.65	39.40	42.16	46.29	53.18	57.32	60.07	66.96	76.34	81.30	88.74	95.90	104.17	112.44	126.22	69
--	13.98	17.31	19.52	23.66	27.80	30.56	33.32	37.45	44.35	48.48	51.24	58.13	67.51	72.47	79.91	87.08	95.34	103.61	117.39	70
16.79	20.93	24.24	26.44	30.58	34.71	37.47	40.23	44.36	51.25	55.39	58.14	65.03	74.40	79.37	86.81	93.97	102.24	110.51	124.29	71
14.84	18.99	22.30	24.50	28.64	32.78	35.54	38.29	42.43	49.32	53.45	56.21	63.10	72.47	77.43	84.88	92.04	100.31	108.58	122.36	72
--	15.09	18.41	20.62	24.76	28.90	31.66	34.42	38.56	45.45	49.59	52.34	59.24	68.61	73.57	81.01	88.18	96.45	104.71	118.50	73
18.31	22.45	25.76	27.96	32.10	36.23	38.99	41.74	45.88	52.77	56.90	59.66	66.55	75.92	80.88	88.32	95.49	103.76	112.02	125.80	74
--	--	--	15.31	19.47	23.62	26.39	29.15	33.29	40.19	44.33	47.09	53.98	63.36	68.32	75.76	82.93	91.20	99.47	113.25	75
17.89	22.03	25.34	27.55	31.68	35.82	38.57	41.33	45.46	52.35	56.49	59.25	66.14	75.51	80.47	87.91	95.07	103.34	111.61	125.39	76
15.95	20.09	23.40	25.61	29.75	33.88	36.64	39.40	43.53	50.42	54.56	57.31	64.20	73.58	78.54	85.98	93.14	101.41	109.68	123.46	77
12.04	16.20	19.52	21.73	25.87	30.01	32.77	35.52	39.66	46.55	50.69	53.45	60.34	69.71	74.67	82.11	89.28	97.55	105.82	119.60	78
--	--	15.61	17.83	21.98	26.12	28.88	31.64	35.78	42.68	46.82	49.58	56.47	65.84	70.80	78.25	85.41	93.68	101.95	115.73	79
18.44	22.58	25.89	28.10	32.23	36.37	39.12	41.88	46.02	52.91	57.04	59.80	66.69	76.06	81.02	88.46	95.63	103.89	112.16	125.94	80
13.15	17.31	20.62	22.83	26.97	31.11	33.87	36.63	40.76	47.66	51.79	54.55	61.44	70.81	75.77	83.22	90.38	98.65	106.92	120.70	81
15.11	19.25	22.56	24.77	28.91	33.05	35.81	38.56	42.70	49.59	53.73	56.48	63.37	72.75	77.71	85.15	92.31	100.58	108.85	122.63	82
17.05	21.19	24.50	26.71	30.85	34.98	37.74	40.50	44.63	51.52	55.66	58.42	65.31	74.68	79.64	87.08	94.25	102.51	110.78	124.56	83
18.03	22.16	25.47	27.68	31.82	35.95	38.71	41.47	45.60	52.49	56.63	59.38	66.27	75.64	80.60	88.05	95.21	103.48	111.75	125.53	84
--	14.50	17.83	20.04	24.19	28.33	31.09	33.85	37.99	44.89	49.02	51.78	58.67	68.05	73.01	80.45	87.62	95.89	104.16	117.94	85
14.26	18.41	21.73	23.94	28.08	32.21	34.97	37.73	41.87	48.76	52.89	55.65	62.54	71.92	76.88	84.32	91.49	99.75	108.02	121.80	86
--	--	--	--	--	18.81	21.59	24.37	28.52	35.44	39.59	42.35	49.25	58.63	63.60	71.05	78.22	86.49	94.76	108.55	87
--	--	--	15.82	19.99	24.14	26.91	29.68	33.82	40.72	44.86	47.62	54.52	63.90	68.86	76.30	83.47	91.74	100.01	113.80	88
16.21	20.36	23.67	25.88	30.01	34.15	36.91	39.67	43.80	50.69	54.83	57.59	64.48	73.85	78.81	86.25	93.42	101.69	109.95	123.73	89
11.44	15.61	18.93	21.15	25.29	29.44	32.20	34.96	39.09	45.99	50.13	52.88	59.78	69.15	74.11	81.56	88.72	96.99	105.26	119.04	90
18.16	22.30	25.61	27.81	31.95	36.09	38.84	41.60	45.74	52.63	56.76	59.52	66.41	75.78	80.74	88.18	95.35	103.62	111.88	125.66	91
--	--	16.12	18.34	22.50	26.65	29.41	32.18	36.32	43.22	47.35	50.11	57.01	66.38	71.35	78.79	85.96	94.23	102.50	116.28	92
15.37	19.52	22.83	25.04	29.18	33.32	36.08	38.83	42.97	49.86	54.00	56.75	63.65	73.02	77.98	85.42	92.59	100.86	109.12	122.91	93
12.55	16.72	20.04	22.25	26.40	30.54	33.30	36.06	40.20	47.09	51.23	53.99	60.88	70.25	75.22	82.66	89.83	98.09	106.36	120.14	94
17.32	21.46	24.77	26.98	31.12	35.25	38.01	40.77	44.90	51.80	55.93	58.69	65.58	74.95	79.91	87.35	94.52	102.79	111.06	124.84	95
14.52	18.67	21.99	24.20	28.34	32.48	35.24	38.00	42.14	49.03	53.17	55.92	62.81	72.19	77.15	84.59	91.76	100.03	108.30	122.08	96
16.48	20.62	23.94	26.14	30.28	34.42	37.18	39.94	44.07	50.96	55.10	57.86	64.75	74.12	79.08	86.52	93.69	101.96	110.23	124.01	97
13.67	17.83	21.15	23.36	27.50	31.64	34.40	37.16	41.30	48.20	52.33	55.09	61.98	71.36	76.32	83.76	90.93	99.20	107.47	121.25	98
--	15.01	18.34	20.56	24.71	28.86	31.62	34.38	38.53	45.42	49.56	52.32	59.21	68.59	73.55	81.00	88.16	96.43	104.70	118.49	99
--	--	--	16.32	20.50	24.66	27.43	30.20	34.35	41.25	45.40	48.16	55.06	64.43	69.40	76.84	84.01	92.29	100.56	114.34	100
17.45	21.59	24.91	27.11	31.25	35.39	38.15	40.90	45.04	51.93	56.07	58.82	65.72	75.09	80.05	87.49	94.66	102.92	111.19	124.97	101
15.63	19.78	23.10	25.31	29.45	33.58	36.34	39.10	43.24	50.13	54.27	57.03	63.93	73.30	78.26	85.70	92.87	101.14	109.41	123.19	102
--	13.28	16.63	18.86	23.02	27.17	29.94	32.70	36.85	43.75	47.90	50.65	57.55	66.92	71.89	79.33	86.50	94.77	103.04	116.82	102
0.90	0.90	0.95	0.95	1.00	1.00	1.00	1.05	1.05	1.05	1.10	1.10	1.10	1.10	1.10	1.10	1.10	1.10	1.10	1.10	


**DISTRIBUIDOR AUTORIZADO** MEX (55) 53 63 23 31 MTY (81) 83 54 10 18  
 QRO (442) 1 95 72 60 ventas@industrialmagza.com

# Synchronous Plus Drive 14M

## Selection Tables

Line No.	Drive Ratio	Sprocket Combination				1160 RPM DriveR						1750 RPM DriveR									
		DRIVER		DRIVEN		DN	Horsepower					DN	Horsepower					1190	1400	1610	
		Teeth	PD (in)	Teeth	PD (in)		RPM	40MM	55MM	85MM	115MM		170MM	RPM	40MM	55MM	85MM				115MM
Multiply Horsepower Listed by Length Correction Factor to Find Horsepower Rating -->																	0.80	0.90	0.90		
103	1.55	44	7.720	68	11.930	751	50.5	72.7	117.1	162.0	243.2	1132	66.7	96.0	154.7	214.1	321.4	-	11.94	16.12	
104	1.56	36	6.316	56	9.825	746	39.6	57.1	91.9	127.2	191.0	1125	53.0	76.4	123.0	170.2	255.6	10.60	14.78	18.93	
105	1.56	72	12.632	112	19.650	746	82.8	119.3	192.2	265.9	399.3	1125	106.0	152.6	245.8	340.1	510.7	-	-	-	
106	1.57	28	4.913	44	7.720	738	27.8	40.0	64.5	89.2	-	1114	37.9	54.6	87.9	121.6	-	13.43	17.58	21.73	
107	1.58	38	6.667	60	10.527	735	42.4	61.1	98.4	136.1	204.4	1108	56.6	81.5	131.3	181.6	272.7	9.73	13.92	18.09	
108	1.60	30	5.263	48	8.421	725	30.9	44.4	71.6	99.0	-	1094	41.8	60.2	97.0	134.3	-	12.58	16.74	20.89	
109	1.60	40	7.018	64	11.229	725	45.2	65.0	104.7	144.9	217.6	1094	60.0	86.4	139.3	192.7	289.3	-	-	13.06	17.23
110	1.61	56	9.825	90	15.790	722	65.3	94.0	151.4	209.5	314.6	1089	84.9	122.3	197.1	272.7	409.4	-	-	-	-
111	1.63	32	5.614	52	9.123	714	33.8	48.7	78.5	108.6	-	1077	45.7	65.8	105.9	146.6	-	11.72	15.89	20.04	
112	1.64	44	7.720	72	12.632	709	50.5	72.7	117.1	162.0	243.2	1069	66.7	96.0	154.7	214.1	321.4	-	-	11.31	15.51
113	1.65	34	5.965	56	9.825	704	36.8	52.9	85.3	118.0	-	1062	49.4	71.1	114.6	158.6	-	10.85	15.03	19.19	
114	1.65	68	11.930	112	19.650	704	78.7	113.3	182.5	252.5	379.1	1062	101.0	145.5	234.4	324.3	486.9	-	-	-	-
115	1.66	29	5.088	48	8.421	701	29.3	42.2	68.1	94.2	-	1057	39.9	57.4	92.5	128.0	-	12.71	16.87	21.02	
116	1.67	36	6.316	60	10.527	696	39.6	57.1	91.9	127.2	191.0	1050	53.0	76.4	123.0	170.2	255.6	9.97	14.17	18.34	
117	1.67	48	8.421	80	14.036	696	55.6	80.0	128.9	178.4	267.9	1050	73.1	105.2	169.5	234.5	352.1	-	-	-	13.77
118	1.68	38	6.667	64	11.229	689	42.4	61.1	98.4	136.1	204.4	1039	56.6	81.5	131.3	181.6	272.7	-	-	13.31	17.49
119	1.70	40	7.018	68	11.930	682	45.2	65.0	104.7	144.9	217.6	1029	60.0	86.4	139.3	192.7	289.3	-	-	12.43	16.63
120	1.71	28	4.913	48	8.421	677	27.8	40.0	64.5	89.2	-	1021	37.9	54.6	87.9	121.6	-	12.83	17.00	21.15	
121	1.73	52	9.123	90	15.790	670	60.5	87.1	140.4	194.2	291.7	1011	79.1	113.9	183.6	254.0	381.4	-	-	-	-
122	1.73	30	5.263	52	9.123	669	30.9	44.4	71.6	99.0	-	1010	41.8	60.2	97.0	134.3	-	11.97	16.14	20.30	
123	1.75	32	5.614	56	9.825	663	33.8	48.7	78.5	108.6	-	1000	45.7	65.8	105.9	146.6	-	11.10	15.29	19.45	
124	1.75	64	11.229	112	19.650	663	74.3	107.0	172.5	238.6	358.3	1000	95.9	138.1	222.4	307.7	462.1	-	-	-	-
125	1.76	34	5.965	60	10.527	657	36.8	52.9	85.3	118.0	-	992	49.4	71.1	114.6	158.6	-	10.22	14.43	18.60	
126	1.78	36	6.316	64	11.229	652	39.6	57.1	91.9	127.2	191.0	984	53.0	76.4	123.0	170.2	255.6	-	-	13.56	17.74
127	1.79	38	6.667	68	11.930	648	42.4	61.1	98.4	136.1	204.4	978	56.6	81.5	131.3	181.6	272.7	-	-	12.68	16.88
128	1.79	29	5.088	52	9.123	647	29.3	42.2	68.1	94.2	-	976	39.9	57.4	92.5	128.0	-	12.10	16.27	20.43	
129	1.80	40	7.018	72	12.632	644	45.2	65.0	104.7	144.9	217.6	972	60.0	86.4	139.3	192.7	289.3	-	-	11.79	16.01
130	1.80	80	14.036	144	25.264	644	90.9	130.8	210.8	291.6	437.9	972	115.3	166.0	267.5	370.1	555.7	-	-	-	-
131	1.82	44	7.720	80	14.036	638	50.5	72.7	117.1	162.0	243.2	962	66.7	96.0	154.7	214.1	321.4	-	-	-	14.26
132	1.86	28	4.913	52	9.123	625	27.8	40.0	64.5	89.2	-	942	37.9	54.6	87.9	121.6	-	12.22	16.40	20.56	
133	1.87	30	5.263	56	9.825	621	30.9	44.4	71.6	99.0	-	938	41.8	60.2	97.0	134.3	-	11.35	15.54	19.71	
134	1.87	60	10.527	112	19.650	621	69.9	100.6	162.1	224.3	336.8	938	90.5	130.4	210.0	290.6	436.3	-	-	-	-
135	1.88	32	5.614	60	10.527	619	33.8	48.7	78.5	108.6	-	933	45.7	65.8	105.9	146.6	-	10.46	14.68	18.86	
136	1.88	48	8.421	90	15.790	619	55.6	80.0	128.9	178.4	267.9	933	73.1	105.2	169.5	234.5	352.1	-	-	-	-
137	1.88	34	5.965	64	11.229	616	36.8	52.9	85.3	118.0	-	930	49.4	71.1	114.6	158.6	-	-	-	13.80	18.00
138	1.89	36	6.316	68	11.930	614	39.6	57.1	91.9	127.2	191.0	926	53.0	76.4	123.0	170.2	255.6	-	-	12.92	17.13
139	1.89	38	6.667	72	12.632	612	42.4	61.1	98.4	136.1	204.4	924	56.6	81.5	131.3	181.6	272.7	-	-	12.03	16.26
140	1.93	29	5.088	56	9.825	601	29.3	42.2	68.1	94.2	-	906	39.9	57.4	92.5	128.0	-	11.47	15.67	19.84	
141	2.00	28	4.913	56	9.825	580	27.8	40.0	64.5	89.2	-	875	37.9	54.6	87.9	121.6	-	11.59	15.79	19.97	
142	2.00	30	5.263	60	10.527	580	30.9	44.4	71.6	99.0	-	875	41.8	60.2	97.0	134.3	-	10.70	14.93	19.11	
143	2.00	32	5.614	64	11.229	580	33.8	48.7	78.5	108.6	-	875	45.7	65.8	105.9	146.6	-	9.79	14.05	18.25	
144	2.00	34	5.965	68	11.930	580	36.8	52.9	85.3	118.0	-	875	49.4	71.1	114.6	158.6	-	-	-	13.17	17.38
145	2.00	36	6.316	72	12.632	580	39.6	57.1	91.9	127.2	191.0	875	53.0	76.4	123.0	170.2	255.6	-	-	12.27	16.51
146	2.00	40	7.018	80	14.036	580	45.2	65.0	104.7	144.9	217.6	875	60.0	86.4	139.3	192.7	289.3	-	-	-	14.74
147	2.00	56	9.825	112	19.650	580	65.3	94.0	151.4	209.5	314.6	875	84.9	122.3	197.1	272.7	409.4	-	-	-	-
148	2.00	72	12.632	144	25.264	580	82.8	119.3	192.2	265.9	399.3	875	106.0	152.6	245.8	340.1	510.7	-	-	-	-
149	2.05	44	7.720	90	15.790	567	50.5	72.7	117.1	162.0	243.2	856	66.7	96.0	154.7	214.1	321.4	-	-	-	-
150	2.07	29	5.088	60	10.527	561	29.3	42.2	68.1	94.2	-	846	39.9	57.4	92.5	128.0	-	10.82	15.05	19.24	
151	2.10	80	14.036	168	29.475	552	90.9	130.8	210.8	291.6	437.9	833	115.3	166.0	267.5	370.1	555.7	-	-	-	-
152	2.11	38	6.667	80	14.036	551	42.4	61.1	98.4	136.1	204.4	826	49.4	71.1	114.6	158.6	-	-	-	-	14.98
153	2.12	34	5.965	72	12.632	548	36.8	52.9	85.3	118.0	-	826	49.4	71.1	114.6	158.6	-	-	-	12.51	16.75
Multiply Horsepower Listed by Length Correction Factor to Find Horsepower Rating -->																	0.80	0.90	0.90		



# Synchronous Plus Drive 14M

## Selection Tables

CENTER DISTANCE																		Line No.	
BELT LENGTH - Length Correction Factor																			
1778	1890	2100	2310	2450	2590	2800	3150	3360	3500	3850	4326	4578	4956	5320	5740	6160	6860		
0.95	0.95	1.00	1.00	1.00	1.05	1.05	1.05	1.10	1.10	1.10	1.10	1.10	1.10	1.10	1.10	1.10	1.10		
19.45	21.67	25.82	29.97	32.73	35.49	39.63	46.53	50.66	53.42	60.32	69.69	74.66	82.10	89.27	97.54	105.81	119.59	103	
22.25	24.46	28.61	32.75	35.51	38.27	42.40	49.30	53.44	56.19	63.09	72.46	77.42	84.86	92.03	100.30	108.57	122.35	104	
-	-	-	19.81	22.60	25.39	29.56	36.48	40.64	43.40	50.31	59.70	64.67	72.12	79.29	87.57	95.84	109.63	105	
25.04	27.25	31.39	35.52	38.28	41.04	45.18	52.07	56.20	58.96	65.85	75.22	80.18	87.63	94.79	103.06	111.33	125.11	106	
21.41	23.62	27.77	31.91	34.67	37.43	41.57	48.47	52.60	55.36	62.25	71.63	76.59	84.03	91.20	99.47	107.74	121.52	107	
24.20	26.41	30.55	34.69	37.45	40.21	44.34	51.24	55.37	58.13	65.02	74.39	79.35	86.80	93.96	102.23	110.50	124.28	108	
20.56	22.78	26.93	31.07	33.83	36.59	40.73	47.63	51.77	54.53	61.42	70.80	75.76	83.20	90.37	98.64	106.91	120.69	109	
14.58	16.82	21.01	25.18	27.95	30.72	34.87	41.78	45.93	48.69	55.59	64.97	69.94	77.38	84.55	92.83	101.10	114.88	110	
23.36	25.57	29.71	33.85	36.61	39.37	43.51	50.40	54.54	57.30	64.19	73.56	78.52	85.97	93.13	101.40	109.67	123.45	111	
18.86	21.08	25.23	29.39	32.15	34.91	39.06	45.96	50.10	52.86	59.75	69.13	74.09	81.54	88.71	96.98	105.25	119.03	112	
22.52	24.73	28.87	33.01	35.77	38.53	42.67	49.57	53.71	56.46	63.36	72.73	77.69	85.14	92.30	100.57	108.84	122.62	113	
-	-	-	20.30	23.10	25.89	30.07	37.00	41.16	43.92	50.84	60.23	65.20	72.65	79.83	88.10	96.38	110.17	114	
24.33	26.54	30.68	34.82	37.58	40.34	44.48	51.37	55.51	58.26	65.16	74.53	79.49	86.93	94.10	102.37	110.64	124.42	115	
21.67	23.88	28.03	32.18	34.94	37.70	41.84	48.73	52.87	55.63	62.52	71.90	76.86	84.30	91.47	99.74	108.01	121.79	116	
17.13	19.36	23.53	27.69	30.46	33.23	37.37	44.28	48.42	51.18	58.08	67.46	72.43	79.87	87.04	95.31	103.58	117.37	117	
20.82	23.04	27.19	31.33	34.10	36.86	41.00	47.90	52.04	54.80	61.69	71.07	76.03	83.47	90.64	98.91	107.18	120.96	118	
19.97	22.19	26.34	30.49	33.26	36.02	40.16	47.06	51.20	53.96	60.86	70.23	75.20	82.64	89.81	98.08	106.35	120.13	119	
24.46	26.67	30.82	34.96	37.72	40.47	44.61	51.51	55.64	58.40	65.29	74.66	79.63	87.07	94.24	102.50	110.77	124.55	120	
15.06	17.32	21.51	25.69	28.47	31.24	35.39	42.31	46.46	49.22	56.12	65.51	70.47	77.92	85.09	93.37	101.64	115.42	121	
23.62	25.83	29.98	34.12	36.88	39.64	43.78	50.67	54.81	57.57	64.46	73.83	78.80	86.24	93.41	101.67	109.94	123.73	122	
22.78	24.99	29.14	33.28	36.04	38.80	42.94	49.84	53.97	56.73	63.63	73.00	77.96	85.41	92.57	100.84	109.11	122.90	123	
-	-	-	20.79	23.60	26.40	30.58	37.52	41.68	44.45	51.36	60.76	65.73	73.19	80.36	88.64	96.92	110.71	124	
21.93	24.14	28.29	32.44	35.20	37.96	42.10	49.00	53.14	55.90	62.79	72.17	77.13	84.58	91.74	100.01	108.28	122.07	125	
21.08	23.30	27.45	31.60	34.36	37.12	41.27	48.17	52.30	55.06	61.96	71.34	76.30	83.74	90.91	99.18	107.45	121.23	126	
20.22	22.44	26.60	30.75	33.52	36.28	40.43	47.33	51.47	54.23	61.12	70.50	75.47	82.91	90.08	98.35	106.62	120.40	127	
23.75	25.96	30.11	34.25	37.01	39.77	43.91	50.81	54.94	57.70	64.59	73.97	78.93	86.37	93.54	101.81	110.08	123.86	128	
19.36	21.59	25.75	29.91	32.67	35.44	39.59	46.49	50.63	53.39	60.29	69.67	74.63	82.08	89.25	97.52	105.79	119.57	129	
-	-	-	-	-	-	23.58	30.63	34.82	37.61	44.57	54.00	58.98	66.46	73.64	81.93	90.22	104.02	130	
17.63	19.87	24.04	28.21	30.98	33.75	37.90	44.81	48.95	51.71	58.62	68.00	72.96	80.41	87.58	95.85	104.13	117.91	131	
23.88	26.10	30.24	34.38	37.15	39.91	44.04	50.94	55.08	57.84	64.73	74.10	79.07	86.51	93.68	101.95	110.22	124.00	132	
23.04	25.25	29.40	33.54	36.31	39.07	43.21	50.11	54.24	57.00	63.90	73.27	78.23	85.68	92.85	101.12	109.39	123.17	133	
-	-	17.03	21.28	24.10	26.90	31.08	38.03	42.19	44.97	51.89	61.29	66.26	73.72	80.89	89.17	97.45	111.24	134	
22.19	24.40	28.56	32.70	35.47	38.23	42.37	49.27	53.41	56.17	63.06	72.44	77.40	84.85	92.01	100.28	108.55	122.34	135	
15.55	17.81	22.01	26.20	28.98	31.75	35.91	42.83	46.98	49.75	56.65	66.04	71.01	78.46	85.63	93.90	102.18	115.97	136	
21.33	23.55	27.71	31.86	34.62	37.39	41.53	48.43	52.57	55.33	62.23	71.61	76.57	84.01	91.18	99.45	107.72	121.51	137	
20.48	22.70	26.86	31.01	33.78	36.55	40.69	47.59	51.73	54.49	61.39	70.77	75.74	83.18	90.35	98.62	106.89	120.68	138	
19.62	21.84	26.01	30.17	32.94	35.70	39.85	46.76	50.90	53.66	60.56	69.94	74.90	82.35	89.52	97.79	106.06	119.84	139	
23.17	25.38	29.53	33.68	36.44	39.20	43.34	50.24	54.38	57.14	64.03	73.41	78.37	85.81	92.98	101.25	109.52	123.30	140	
23.30	25.51	29.66	33.81	36.57	39.33	43.47	50.37	54.51	57.27	64.17	73.54	78.50	85.95	93.12	101.39	109.66	123.44	141	
22.44	24.66	28.82	32.97	35.73	38.49	42.64	49.54	53.68	56.43	63.33	72.71	77.67	85.12	92.29	100.56	108.83	122.61	142	
21.59	23.81	27.97	32.12	34.89	37.65	41.80	48.70	52.84	55.60	62.50	71.87	76.84	84.28	91.45	99.72	107.99	121.78	143	
20.73	22.96	27.12	31.28	34.04	36.81	40.95	47.86	52.00	54.76	61.66	71.04	76.00	83.45	90.62	98.89	107.16	120.95	144	
19.87	22.10	26.27	30.43	33.20	35.96	40.11	47.02	51.16	53.92	60.82	70.20	75.17	82.62	89.79	98.06	106.33	120.12	145	
18.12	20.37	24.55	28.72	31.50	34.27	38.42	45.34	49.48	52.24	59.15	68.53	73.50	80.95	88.12	96.39	104.67	118.45	146	
-	-	17.50	21.77	24.59	27.39	31.59	38.55	42.71	45.48	52.41	61.81	66.79	74.25	81.43	89.71	97.99	111.78	147	
-	-	-	-	-	20.23	24.54	31.61	35.82	38.62	45.59	55.03	60.02	67.50	74.69	82.99	91.28	105.09	148	
16.03	18.30	22.51	26.70	29.49	32.27	36.43	43.36	47.51	50.27	57.18	66.57	71.54	78.99	86.17	94.44	102.72	116.50	149	
22.57	24.79	28.95	33.10	35.86	38.62	42.77	49.67	53.81	56.57	63.47	72.84	77.81	85.25	92.42	100.69	108.96	122.75	150	
-	-	-	-	-	-	26.72	33.77	37.92	40.68	47.59	56.97	61.94	69.39	76.56	84.83	93.10	106.87	120.57	151
18.37	20.62	24.81	28.98	31.75	34.53	38.68	45.60	49.74	52.49	59.40	68.78	73.75	81.20	88.37	96.64	104.91	118.68	152	
20.12	22.35	26.52	30.69	33.46	36.22	40.37	47.28	51.42	54.18	61.09	70.47	75.44	82.89	90.06	98.33	106.60	120.39	153	
0.95	0.95	1.00	1.00	1.00	1.05	1.05	1.05	1.10	1.10	1.10	1.10	1.10	1.10	1.10	1.10	1.10	1.10		



DISTRIBUIDOR AUTORIZADO  
 MEX (55) 53 63 23 31 MTY (81) 83 54 10 18  
 QRO (442) 1 95 72 60 ventas@industrialmagza.com



# Synchronous Plus Drive 14M

## Selection Tables

Line No.	Drive Ratio	Sprocket Combination				1160 RPM DriveR						1750 RPM DriveR					1400	1610	
		DRIVER		DRIVEN		DN	Horsepower					DN	Horsepower						
		Teeth	PD (in)	Teeth	PD (in)		RPM	40MM	55MM	85MM	115MM		170MM	RPM	40MM	55MM			85MM
Multiply Horsepower Listed by Length Correction Factor to Find Horsepower Rating -->																	0.90	0.90	
154	2.12	68	11.930	144	25.264	548	78.7	113.3	182.5	252.5	379.1	826	101.0	145.5	234.4	324.3	486.9	-	-
155	2.13	32	5.614	68	11.930	546	33.8	48.7	78.5	108.6	-	824	45.7	65.8	105.9	146.6	-	13.41	17.63
156	2.13	30	5.263	64	11.229	544	30.9	44.4	71.6	99.0	-	820	41.8	60.2	97.0	134.3	-	14.30	18.50
157	2.14	28	4.913	60	10.527	541	27.8	40.0	64.5	89.2	-	817	37.9	54.6	87.9	121.6	-	15.17	19.36
158	2.15	52	9.123	112	19.650	539	60.5	87.1	140.4	194.2	291.7	812	79.1	113.9	183.6	254.0	381.4	-	-
159	2.21	29	5.088	64	11.229	526	29.3	42.2	68.1	94.2	-	793	39.9	57.4	92.5	128.0	-	14.42	18.62
160	2.22	36	6.316	80	14.036	522	39.6	57.1	91.9	127.2	191.0	788	53.0	76.4	123.0	170.2	255.6	-	15.22
161	2.25	32	5.614	72	12.632	516	33.8	48.7	78.5	108.6	-	778	45.7	65.8	105.9	146.6	-	12.75	17.00
162	2.25	40	7.018	90	15.790	516	45.2	65.0	104.7	144.9	217.6	778	60.0	86.4	139.3	192.7	289.3	-	13.04
163	2.25	64	11.229	144	25.264	516	74.3	107.0	172.5	238.6	358.3	778	95.9	138.1	222.4	307.7	462.1	-	-
164	2.27	30	5.263	68	11.930	512	30.9	44.4	71.6	99.0	-	772	41.8	60.2	97.0	134.3	-	13.65	17.88
165	2.29	28	4.913	64	11.229	508	27.8	40.0	64.5	89.2	-	766	37.9	54.6	87.9	121.6	-	14.54	18.75
166	2.33	48	8.421	112	19.650	497	55.6	80.0	128.9	178.4	267.9	750	73.1	105.2	169.5	234.5	352.1	-	-
167	2.33	72	12.632	168	29.475	497	82.8	119.3	192.2	265.9	399.3	750	106.0	152.6	245.8	340.1	510.7	-	-
168	2.34	29	5.088	68	11.930	495	29.3	42.2	68.1	94.2	-	746	39.9	57.4	92.5	128.0	-	13.77	18.00
169	2.35	34	5.965	80	14.036	493	36.8	52.9	85.3	118.0	-	744	49.4	71.1	114.6	158.6	-	-	15.46
170	2.37	38	6.667	90	15.790	490	42.4	61.1	98.4	136.1	204.4	739	56.6	81.5	131.3	181.6	272.7	-	13.27
171	2.40	30	5.263	72	12.632	483	30.9	44.4	71.6	99.0	-	729	41.8	60.2	97.0	134.3	-	12.98	17.24
172	2.40	60	10.527	144	25.264	483	69.9	100.6	162.1	224.3	336.8	729	90.5	130.4	210.0	290.6	436.3	-	-
173	2.40	80	14.036	192	33.686	483	90.9	130.8	210.8	291.6	437.9	729	115.3	166.0	267.5	370.1	555.7	-	-
174	2.43	28	4.913	68	11.930	478	27.8	40.0	64.5	89.2	-	721	37.9	54.6	87.9	121.6	-	13.89	18.12
175	2.47	68	11.930	168	29.475	470	78.7	113.3	182.5	252.5	379.1	708	101.0	145.5	234.4	324.3	486.9	-	-
176	2.48	29	5.088	72	12.632	467	29.3	42.2	68.1	94.2	-	705	39.9	57.4	92.5	128.0	-	13.10	17.37
177	2.50	32	5.614	80	14.036	464	33.8	48.7	78.5	108.6	-	700	45.7	65.8	105.9	146.6	-	11.34	15.69
178	2.50	36	6.316	90	15.790	464	39.6	57.1	91.9	127.2	191.0	700	53.0	76.4	123.0	170.2	255.6	-	13.50
179	2.55	44	7.720	112	19.650	456	50.5	72.7	117.1	162.0	243.2	688	66.7	96.0	154.7	214.1	321.4	-	-
180	2.57	28	4.913	72	12.632	451	27.8	40.0	64.5	89.2	-	681	37.9	54.6	87.9	121.6	-	13.22	17.49
181	2.57	56	9.825	144	25.264	451	65.3	94.0	151.4	209.5	314.6	681	84.9	122.3	197.1	272.7	409.4	-	-
182	2.63	64	11.229	168	29.475	442	74.3	107.0	172.5	238.6	358.3	667	95.9	138.1	222.4	307.7	462.1	-	-
183	2.65	34	5.965	90	15.790	438	36.8	52.9	85.3	118.0	-	661	49.4	71.1	114.6	158.6	-	-	13.73
184	2.67	30	5.263	80	14.036	435	30.9	44.4	71.6	99.0	-	656	41.8	60.2	97.0	134.3	-	11.57	15.93
185	2.67	72	12.632	192	33.686	435	82.8	119.3	192.2	265.9	399.3	656	106.0	152.6	245.8	340.1	510.7	-	-
186	2.70	80	14.036	216	37.896	430	90.9	130.8	210.8	291.6	437.9	648	115.3	166.0	267.5	370.1	555.7	-	-
187	2.76	29	5.088	80	14.036	420	29.3	42.2	68.1	94.2	-	634	39.9	57.4	92.5	128.0	-	11.68	16.05
188	2.77	52	9.123	144	25.264	419	60.5	87.1	140.4	194.2	291.7	632	79.1	113.9	183.6	254.0	381.4	-	-
189	2.80	40	7.018	112	19.650	414	45.2	65.0	104.7	144.9	217.6	625	60.0	86.4	139.3	192.7	289.3	-	-
190	2.80	60	10.527	168	29.475	414	69.9	100.6	162.1	224.3	336.8	625	90.5	130.4	210.0	290.6	436.3	-	-
191	2.81	32	5.614	90	15.790	412	33.8	48.7	78.5	108.6	-	622	45.7	65.8	105.9	146.6	-	-	13.95
192	2.82	68	11.930	192	33.686	411	78.7	113.3	182.5	252.5	379.1	620	101.0	145.5	234.4	324.3	486.9	-	-
193	2.86	28	4.913	80	14.036	406	27.8	40.0	64.5	89.2	-	612	37.9	54.6	87.9	121.6	-	11.80	16.17
194	2.95	38	6.667	112	19.650	394	42.4	61.1	98.4	136.1	204.4	594	56.6	81.5	131.3	181.6	272.7	-	-
195	3.00	30	5.263	90	15.790	387	30.9	44.4	71.6	99.0	-	583	41.8	60.2	97.0	134.3	-	-	14.18
196	3.00	48	8.421	144	25.264	387	55.6	80.0	128.9	178.4	267.9	583	73.1	105.2	169.5	234.5	352.1	-	-
197	3.00	56	9.825	168	29.475	387	65.3	94.0	151.4	209.5	314.6	583	84.9	122.3	197.1	272.7	409.4	-	-
198	3.00	64	11.229	192	33.686	387	74.3	107.0	172.5	238.6	358.3	583	95.9	138.1	222.4	307.7	462.1	-	-
199	3.00	72	12.632	216	37.896	387	82.8	119.3	192.2	265.9	399.3	583	106.0	152.6	245.8	340.1	510.7	-	-
200	3.10	29	5.088	90	15.790	374	29.3	42.2	68.1	94.2	-	564	39.9	57.4	92.5	128.0	-	-	14.29
201	3.11	36	6.316	112	19.650	373	39.6	57.1	91.9	127.2	191.0	562	53.0	76.4	123.0	170.2	255.6	-	-
202	3.18	68	11.930	216	37.896	365	78.7	113.3	182.5	252.5	379.1	551	101.0	145.5	234.4	324.3	486.9	-	-
203	3.20	60	10.527	192	33.686	362	69.9	100.6	162.1	224.3	336.8	542	90.5	130.4	210.0	290.6	436.3	-	-
204	3.21	28	4.913	90	15.790	361	27.8	40.0	64.5	89.2	-	544	37.9	54.6	87.9	121.6	-	-	14.41
Multiply Horsepower Listed by Length Correction Factor to Find Horsepower Rating -->																	0.90	0.90	



DISTRIBUIDOR AUTORIZADO MEX (55) 53 63 23 31 MTY (81) 83 54 10 18 QRO (442) 1 95 72 60 ventas@industrialmagza.com



# Synchronous Plus Drive 14M

## Selection Tables

CENTER DISTANCE																		Line No.
BELT LENGTH - Length Correction Factor																		
1778	1890	2100	2310	2450	2590	2800	3150	3360	3500	3850	4326	4578	4956	5320	5740	6160	6860	
0.95	0.95	1.00	1.00	1.00	1.05	1.05	1.05	1.10	1.10	1.10	1.10	1.10	1.10	1.10	1.10	1.10	1.10	
-	-	-	-	-	20.70	25.02	32.10	36.32	39.12	46.09	55.54	60.54	68.02	75.22	83.51	91.81	105.62	154
20.98	23.21	27.38	31.53	34.30	37.07	41.22	48.12	52.27	55.03	61.93	71.31	76.27	83.72	90.89	99.16	107.43	121.22	155
21.84	24.07	28.23	32.38	35.15	37.91	42.06	48.96	53.11	55.87	62.76	72.14	77.11	84.55	91.72	99.99	108.27	122.05	156
22.70	24.92	29.08	33.23	35.99	38.76	42.90	49.80	53.94	56.70	63.60	72.98	77.94	85.39	92.56	100.83	109.10	122.88	157
-	-	17.97	22.25	25.08	27.89	32.09	39.05	43.22	46.00	52.93	62.34	67.31	74.78	81.96	90.24	98.52	112.32	158
21.97	24.19	28.36	32.51	35.28	38.05	42.19	49.10	53.24	56.00	62.90	72.28	77.24	84.69	91.86	100.13	108.40	122.19	159
18.62	20.86	25.06	29.23	32.01	34.79	38.94	45.86	50.01	52.77	59.68	69.07	74.03	81.48	88.66	96.93	105.20	118.99	160
20.37	22.60	26.78	30.94	33.71	36.48	40.64	47.55	51.69	54.45	61.36	70.74	75.71	83.15	90.33	98.60	106.87	120.66	161
16.50	18.78	23.01	27.21	29.99	32.78	36.94	43.88	48.03	50.79	57.71	67.10	72.07	79.52	86.70	94.98	103.25	117.04	162
-	-	-	-	-	21.16	25.49	32.59	36.81	39.61	46.60	56.06	61.05	68.54	75.74	84.04	92.33	106.15	163
21.23	23.46	27.63	31.79	34.56	37.33	41.48	48.39	52.53	55.29	62.19	71.58	76.54	83.99	91.16	99.43	107.70	121.49	164
22.10	24.32	28.49	32.64	35.41	38.18	42.32	49.23	53.37	56.13	63.03	72.41	77.38	84.82	91.99	100.27	108.54	122.32	165
-	-	18.44	22.73	25.56	28.38	32.59	39.56	43.73	46.51	53.45	62.86	67.84	75.30	82.49	90.77	99.05	112.85	166
-	-	-	-	-	-	-	27.65	31.96	34.81	41.87	51.40	56.42	63.93	71.16	79.47	87.78	101.62	167
21.36	23.59	27.76	31.92	34.69	37.46	41.61	48.52	52.66	55.43	62.33	71.71	76.68	84.12	91.29	99.57	107.84	121.63	168
18.86	21.11	25.31	29.49	32.27	35.04	39.20	46.12	50.27	53.04	59.94	69.33	74.30	81.75	88.92	97.20	105.47	119.26	169
16.74	19.02	23.25	27.46	30.25	33.03	37.20	44.13	48.29	51.06	57.97	67.37	72.34	79.79	86.97	95.25	103.52	117.31	170
20.62	22.85	27.03	31.20	33.97	36.74	40.90	47.81	51.96	54.72	61.62	71.01	75.97	83.42	90.59	98.87	107.14	120.93	171
-	-	-	-	-	21.62	25.96	33.08	37.30	40.11	47.10	56.57	61.57	69.06	76.26	84.56	92.86	106.67	172
-	-	-	-	-	-	-	-	26.86	29.80	37.00	46.64	51.70	59.26	66.52	74.87	83.20	97.06	173
21.49	23.72	27.89	32.05	34.82	37.59	41.74	48.65	52.80	55.56	62.46	71.84	76.81	84.26	91.43	99.70	107.97	121.76	174
-	-	-	-	-	-	-	28.12	32.44	35.29	42.36	51.90	56.92	64.44	71.67	79.99	88.30	102.14	175
20.74	22.98	27.16	31.33	34.10	36.87	41.03	47.94	52.09	54.85	61.75	71.14	76.11	83.56	90.73	99.00	107.28	121.06	176
19.10	21.36	25.56	29.74	32.52	35.30	39.46	46.38	50.53	53.30	60.21	69.60	74.57	82.02	89.19	97.47	105.74	119.53	177
16.98	19.26	23.50	27.71	30.50	33.28	37.46	44.39	48.55	51.32	58.23	67.63	72.60	80.06	87.23	95.51	103.79	117.58	178
-	-	18.90	23.21	26.05	28.87	33.08	40.07	44.24	47.02	53.96	63.38	68.36	75.83	83.01	91.30	99.59	113.39	179
20.86	23.10	27.29	31.46	34.23	37.00	41.16	48.07	52.22	54.98	61.89	71.27	76.24	83.69	90.86	99.14	107.41	121.20	180
-	-	-	-	19.11	22.08	26.43	33.56	37.79	40.60	47.60	57.08	62.08	69.57	76.78	85.08	93.38	107.20	181
-	-	-	-	-	-	-	28.58	32.91	35.77	42.85	52.39	57.42	64.95	72.18	80.51	88.82	102.67	182
17.21	19.50	23.74	27.95	30.75	33.54	37.71	44.65	48.81	51.58	58.49	67.89	72.87	80.32	87.50	95.78	104.06	117.85	183
19.35	21.60	25.81	29.99	32.78	35.56	39.72	46.64	50.79	53.56	60.47	69.86	74.83	82.28	89.46	97.74	106.01	119.80	184
-	-	-	-	-	-	-	-	27.77	30.72	37.95	47.62	52.69	60.26	67.53	75.88	84.22	98.10	185
-	-	-	-	-	-	-	-	-	-	32.83	42.70	47.84	55.49	62.80	71.21	79.58	93.49	186
19.47	21.72	25.93	30.12	32.90	35.68	39.85	46.77	50.93	53.69	60.60	69.99	74.96	82.42	89.59	97.87	106.15	119.94	187
-	-	-	-	19.55	22.53	26.90	34.04	38.28	41.10	48.10	57.58	62.59	70.09	77.30	85.60	93.91	107.73	188
-	14.92	19.36	23.69	26.53	29.36	33.58	40.57	44.75	47.53	54.48	63.90	68.88	76.35	83.54	91.83	100.12	113.92	189
-	-	-	-	-	-	21.63	29.05	33.38	36.24	43.33	52.89	57.93	65.46	72.69	81.02	89.34	103.19	190
17.45	19.74	23.99	28.20	31.00	33.79	37.97	44.91	49.07	51.84	58.76	68.16	73.13	80.59	87.77	96.05	104.32	118.12	191
-	-	-	-	-	-	-	-	28.22	31.17	38.42	48.10	53.18	60.76	68.03	76.39	84.73	98.61	192
19.59	21.85	26.06	30.25	33.03	35.81	39.98	46.90	51.06	53.82	60.73	70.13	75.10	82.55	89.73	98.00	106.28	120.07	193
-	15.14	19.59	23.92	26.77	29.60	33.83	40.82	45.00	47.79	54.73	64.16	69.14	76.61	83.80	92.09	100.38	114.19	194
17.68	19.98	24.23	28.45	31.25	34.04	38.22	45.17	49.33	52.10	59.02	68.42	73.39	80.85	88.03	96.31	104.59	118.39	195
-	-	-	-	20.00	22.98	27.37	34.52	38.77	41.59	48.60	58.09	63.10	70.60	77.81	86.12	94.43	108.26	196
-	-	-	-	-	-	22.06	29.51	33.85	36.72	43.82	53.39	58.43	65.96	73.20	81.53	89.86	103.71	197
-	-	-	-	-	-	-	24.12	28.67	31.63	38.89	48.58	53.67	61.25	68.53	76.90	85.24	99.13	198
-	-	-	-	-	-	-	-	-	-	33.74	43.64	48.80	56.46	63.79	72.20	80.58	94.51	199
17.80	20.09	24.35	28.57	31.37	34.17	38.35	45.29	49.45	52.23	59.15	68.55	73.53	80.98	88.16	96.45	104.73	118.52	200
-	15.36	19.82	24.16	27.01	29.85	34.07	41.07	45.26	48.04	54.99	64.42	69.40	76.88	84.07	92.36	100.65	114.45	201
-	-	-	-	-	-	-	-	34.19	44.11	49.27	56.95	64.28	72.70	81.09	89.50	97.91	111.74	202
-	-	-	-	-	-	-	-	49.27	59.20	64.36	72.03	79.36	87.77	96.18	104.59	112.99	126.82	203
17.91	20.21	24.47	28.70	31.50	34.29	38.47	45.42	49.58	52.36	59.28	68.68	73.66	81.12	88.30	96.58	104.86	118.65	204
0.95	0.95	1.00	1.00	1.00	1.05	1.05	1.05	1.10	1.10	1.10	1.10	1.10	1.10	1.10	1.10	1.10	1.10	




DISTRIBUIDOR AUTORIZADO MEX (55) 53 63 23 31 MTY (81) 83 54 10 18 QRO (442) 1 95 72 60 ventas@industrialmagza.com



# Synchronous Plus Drive 14M

## Selection Tables

Line No.	Drive Ratio	Sprocket Combination				1160 RPM DriveR						1750 RPM DriveR					
		DRIVER		DRIVEN		DN	Horsepower					DN	Horsepower				
		Teeth	PD (in)	Teeth	PD (in)	RPM	40MM	55MM	85MM	115MM	170MM	RPM	40MM	55MM	85MM	115MM	170MM
Multiply Horsepower Listed by Length Correction Factor to Find Horsepower Rating -->																	
205	3.23	52	9.123	168	29.475	359	60.5	87.1	140.4	194.2	291.7	542	79.1	113.9	183.6	254.0	381.4
206	3.27	44	7.720	144	25.264	354	50.5	72.7	117.1	162.0	243.2	535	66.7	96.0	154.7	214.1	321.4
207	3.29	34	5.965	112	19.650	352	36.8	52.9	85.3	118.0	-	531	49.4	71.1	114.6	158.6	-
208	3.38	64	11.229	216	37.896	344	74.3	107.0	172.5	238.6	358.3	519	95.9	138.1	222.4	307.7	462.1
209	3.43	56	9.825	192	33.686	338	65.3	94.0	151.4	209.5	314.6	510	84.9	122.3	197.1	272.7	409.4
210	3.50	32	5.614	112	19.650	331	33.8	48.7	78.5	108.6	-	500	45.7	65.8	105.9	146.6	-
211	3.50	48	8.421	168	29.475	331	55.6	80.0	128.9	178.4	267.9	500	73.1	105.2	169.5	234.5	352.1
212	3.60	40	7.018	144	25.264	322	45.2	65.0	104.7	144.9	217.6	486	60.0	86.4	139.3	192.7	289.3
213	3.60	60	10.527	216	37.896	322	69.9	100.6	162.1	224.3	336.8	486	90.5	130.4	210.0	290.6	436.3
214	3.69	52	9.123	192	33.686	314	60.5	87.1	140.4	194.2	291.7	474	79.1	113.9	183.6	254.0	381.4
215	3.73	30	5.263	112	19.650	311	30.9	44.4	71.6	99.0	-	469	41.8	60.2	97.0	134.3	-
216	3.79	38	6.667	144	25.264	306	42.4	61.1	98.4	136.1	204.4	462	56.6	81.5	131.3	181.6	272.7
217	3.82	44	7.720	168	29.475	304	50.5	72.7	117.1	162.0	243.2	458	66.7	96.0	154.7	214.1	321.4
218	3.86	56	9.825	216	37.896	301	65.3	94.0	151.4	209.5	314.6	454	84.9	122.3	197.1	272.7	409.4
219	3.86	29	5.088	112	19.650	300	29.3	42.2	68.1	94.2	-	453	39.9	57.4	92.5	128.0	-
220	4.00	28	4.913	112	19.650	290	27.8	40.0	64.5	89.2	-	438	37.9	54.6	87.9	121.6	-
221	4.00	36	6.316	144	25.264	290	39.6	57.1	91.9	127.2	191.0	438	53.0	76.4	123.0	170.2	255.6
222	4.00	48	8.421	192	33.686	290	55.6	80.0	128.9	178.4	267.9	438	73.1	105.2	169.5	234.5	352.1
223	4.15	52	9.123	216	37.896	279	60.5	87.1	140.4	194.2	291.7	421	79.1	113.9	183.6	254.0	381.4
224	4.20	40	7.018	168	29.475	276	45.2	65.0	104.7	144.9	217.6	417	60.0	86.4	139.3	192.7	289.3
225	4.24	34	5.965	144	25.264	274	36.8	52.9	85.3	118.0	-	413	49.4	71.1	114.6	158.6	-
226	4.36	44	7.720	192	33.686	266	50.5	72.7	117.1	162.0	243.2	401	66.7	96.0	154.7	214.1	321.4
227	4.42	38	6.667	168	29.475	262	42.4	61.1	98.4	136.1	204.4	396	56.6	81.5	131.3	181.6	272.7
228	4.50	32	5.614	144	25.264	258	33.8	48.7	78.5	108.6	-	389	45.7	65.8	105.9	146.6	-
229	4.50	48	8.421	216	37.896	258	55.6	80.0	128.9	178.4	267.9	389	73.1	105.2	169.5	234.5	352.1
230	4.67	36	6.316	168	29.475	249	39.6	57.1	91.9	127.2	191.0	375	53.0	76.4	123.0	170.2	255.6
231	4.80	30	5.263	144	25.264	242	30.9	44.4	71.6	99.0	-	365	41.8	60.2	97.0	134.3	-
232	4.80	40	7.018	192	33.686	242	45.2	65.0	104.7	144.9	217.6	365	60.0	86.4	139.3	192.7	289.3
233	4.91	44	7.720	216	37.896	236	50.5	72.7	117.1	162.0	243.2	356	66.7	96.0	154.7	214.1	321.4
234	4.94	34	5.965	168	29.475	235	36.8	52.9	85.3	118.0	-	354	49.4	71.1	114.6	158.6	-
235	4.97	29	5.088	144	25.264	234	29.3	42.2	68.1	94.2	-	352	39.9	57.4	92.5	128.0	-
236	5.05	38	6.667	192	33.686	230	42.4	61.1	98.4	136.1	204.4	346	56.6	81.5	131.3	181.6	272.7
237	5.14	28	4.913	144	25.264	226	27.8	40.0	64.5	89.2	-	340	37.9	54.6	87.9	121.6	-
238	5.25	32	5.614	168	29.475	221	33.8	48.7	78.5	108.6	-	333	45.7	65.8	105.9	146.6	-
239	5.33	36	6.316	192	33.686	218	39.6	57.1	91.9	127.2	191.0	328	53.0	76.4	123.0	170.2	255.6
240	5.40	40	7.018	216	37.896	215	45.2	65.0	104.7	144.9	217.6	324	60.0	86.4	139.3	192.7	289.3
241	5.60	30	5.263	168	29.475	207	30.9	44.4	71.6	99.0	-	312	41.8	60.2	97.0	134.3	-
242	5.65	34	5.965	192	33.686	205	36.8	52.9	85.3	118.0	-	310	49.4	71.1	114.6	158.6	-
243	5.68	38	6.667	216	37.896	204	42.4	61.1	98.4	136.1	204.4	308	56.6	81.5	131.3	181.6	272.7
244	5.79	29	5.088	168	29.475	200	29.3	42.2	68.1	94.2	-	302	39.9	57.4	92.5	128.0	-
245	6.00	28	4.913	168	29.475	193	27.8	40.0	64.5	89.2	-	292	37.9	54.6	87.9	121.6	-
246	6.00	32	5.614	192	33.686	193	33.8	48.7	78.5	108.6	-	292	45.7	65.8	105.9	146.6	-
247	6.00	36	6.316	216	37.896	193	39.6	57.1	91.9	127.2	191.0	292	53.0	76.4	123.0	170.2	255.6
248	6.35	34	5.965	216	37.896	183	36.8	52.9	85.3	118.0	-	275	49.4	71.1	114.6	158.6	-
249	6.40	30	5.263	192	33.686	181	30.9	44.4	71.6	99.0	-	273	41.8	60.2	97.0	134.3	-
250	6.62	29	5.088	192	33.686	175	29.3	42.2	68.1	94.2	-	264	39.9	57.4	92.5	128.0	-
251	6.75	32	5.614	216	37.896	172	33.8	48.7	78.5	108.6	-	259	45.7	65.8	105.9	146.6	-
252	6.86	28	4.913	192	33.686	169	27.8	40.0	64.5	89.2	-	255	37.9	54.6	87.9	121.6	-
253	7.20	30	5.263	216	37.896	161	30.9	44.4	71.6	99.0	-	243	41.8	60.2	97.0	134.3	-
254	7.45	29	5.088	216	37.896	156	29.3	42.2	68.1	94.2	-	242	39.9	57.4	92.5	128.0	-
255	7.71	28	4.913	216	37.896	150	27.8	40.0	64.5	89.2	-	227	37.9	54.6	87.9	121.6	-
Multiply Horsepower Listed by Length Correction Factor to Find Horsepower Rating -->																	


**DISTRIBUIDOR AUTORIZADO**  
 MEX (55) 53 63 23 31 MTY (81) 83 54 10 18  
 QRO (442) 95 72 60 ventas@industrialmagza.com

# Synchronous Plus Drive 14M

## Selection Tables

CENTER DISTANCE																		Line No.
BELT LENGTH - Length Correction Factor																		
1778	1890	2100	2310	2450	2590	2800	3150	3360	3500	3850	4326	4578	4956	5320	5740	6160	6860	
0.95	0.95	1.00	1.00	1.00	1.05	1.05	1.05	1.10	1.10	1.10	1.10	1.10	1.10	1.10	1.10	1.10	1.10	
-	-	-	-	-	-	22.50	29.96	34.32	37.19	44.30	53.88	58.92	66.47	73.71	82.05	90.37	104.23	205
-	-	-	-	20.44	23.44	27.83	35.00	39.26	42.08	49.10	58.60	63.61	71.11	78.33	86.64	94.95	108.78	206
-	15.58	20.05	24.39	27.25	30.09	34.32	41.32	45.51	48.29	55.25	64.68	69.66	77.14	84.33	92.62	100.91	114.72	207
-	-	-	-	-	-	-	-	-	27.03	34.64	44.58	49.75	57.43	64.77	73.19	81.59	95.53	208
-	-	-	-	-	-	-	24.99	29.56	32.54	39.83	49.55	54.64	62.24	69.53	77.91	86.26	100.16	209
-	15.80	20.28	24.63	27.49	30.33	34.56	41.57	45.76	48.55	55.50	64.94	69.92	77.40	84.59	92.88	101.17	114.98	210
-	-	-	-	-	-	22.94	30.42	34.79	37.66	44.79	54.37	59.42	66.97	74.21	82.56	90.89	104.75	211
-	-	-	17.78	20.88	23.89	28.29	35.48	39.74	42.57	49.59	59.10	64.11	71.62	78.84	87.16	95.47	109.30	212
-	-	-	-	-	-	-	-	-	27.46	35.09	45.05	50.22	57.91	65.26	73.69	82.09	96.03	213
-	-	-	-	-	-	-	25.42	30.01	32.99	40.29	50.03	55.13	62.73	70.03	78.41	86.77	100.67	214
-	16.02	20.51	24.86	27.73	30.57	34.81	41.82	46.01	48.80	55.76	65.19	70.18	77.66	84.85	93.15	101.44	115.25	215
-	-	-	17.99	21.10	24.11	28.52	35.72	39.98	42.81	49.84	59.35	64.37	71.88	79.10	87.42	95.73	109.57	216
-	-	-	-	-	-	23.37	30.88	35.25	38.13	45.27	54.87	59.92	67.47	74.72	83.07	91.40	105.26	217
-	-	-	-	-	-	-	-	-	27.88	35.54	45.51	50.69	58.39	65.75	74.18	82.59	96.54	218
13.63	16.13	20.62	24.98	27.85	30.69	34.93	41.95	46.14	48.93	55.88	65.32	70.31	77.79	84.98	93.28	101.57	115.38	219
13.73	16.24	20.74	25.10	27.97	30.81	35.05	42.07	46.26	49.05	56.01	65.45	70.44	77.92	85.11	93.41	101.70	115.51	220
-	-	-	18.20	21.32	24.34	28.75	35.96	40.22	43.05	50.09	59.60	64.62	72.13	79.36	87.68	95.99	109.83	221
-	-	-	-	-	-	-	25.85	30.45	33.44	40.76	50.51	55.61	63.23	70.52	78.91	87.27	101.18	222
-	-	-	-	-	-	-	-	25.09	28.31	35.98	45.98	51.17	58.87	66.23	74.68	83.09	97.04	223
-	-	-	-	-	-	23.81	31.33	35.72	38.60	45.75	55.36	60.41	67.97	75.22	83.58	91.91	105.78	224
-	-	-	18.42	21.54	24.56	28.98	36.19	40.46	43.29	50.33	59.85	64.87	72.39	79.61	87.94	96.25	110.09	225
-	-	-	-	-	-	-	26.28	30.89	33.89	41.22	50.98	56.10	63.72	71.02	79.41	87.78	101.69	226
-	-	-	-	-	19.21	24.03	31.56	35.95	38.84	45.99	55.60	60.66	68.22	75.48	83.83	92.17	106.04	227
-	-	-	18.63	21.76	24.78	29.21	36.43	40.70	43.54	50.58	60.10	65.12	72.64	79.87	88.19	96.51	110.35	228
-	-	-	-	-	-	-	-	25.51	28.74	36.43	46.44	51.64	59.35	66.72	75.17	83.58	97.55	229
-	-	-	-	-	19.42	24.24	31.79	36.18	39.07	46.23	55.85	60.91	68.47	75.73	84.08	92.42	106.30	230
-	-	-	18.84	21.98	25.01	29.44	36.67	40.94	43.78	50.83	60.35	65.38	72.90	80.12	88.45	96.77	110.61	231
-	-	-	-	-	-	-	26.71	31.34	34.34	41.69	51.46	56.58	64.21	71.51	79.91	88.28	102.20	232
-	-	-	-	-	-	-	-	25.92	29.17	36.87	46.90	52.11	59.83	67.20	75.66	84.08	98.05	233
-	-	-	-	-	19.63	24.46	32.02	36.41	39.31	46.47	56.09	61.15	68.72	75.98	84.34	92.68	106.56	234
-	-	-	18.95	22.09	25.12	29.56	36.79	41.06	43.90	50.95	60.48	65.50	73.02	80.25	88.58	96.90	110.74	235
-	-	-	-	-	-	-	26.93	31.56	34.56	41.92	51.70	56.82	64.45	71.76	80.16	88.54	102.46	236
-	-	-	19.05	22.19	25.23	29.67	36.90	41.18	44.02	51.07	60.60	65.63	73.15	80.38	88.71	97.03	110.87	237
-	-	-	-	-	19.84	24.67	32.24	36.64	39.54	46.70	56.34	61.40	68.97	76.23	84.59	92.93	106.81	238
-	-	-	-	-	-	-	27.14	31.78	34.79	42.15	51.94	57.06	64.69	72.01	80.41	88.79	102.71	239
-	-	-	-	-	-	-	-	26.34	29.59	37.32	47.37	52.58	60.31	67.69	76.15	84.57	98.55	240
-	-	-	-	-	20.05	24.89	32.47	36.87	39.77	46.94	56.58	61.65	69.22	76.48	84.84	93.19	107.07	241
-	-	-	-	-	-	-	27.35	32.00	35.01	42.38	52.17	57.30	64.94	72.25	80.66	89.04	102.96	242
-	-	-	-	-	-	-	-	26.55	29.81	37.54	47.60	52.81	60.55	67.93	76.40	84.82	98.81	243
-	-	-	-	-	20.15	25.00	32.58	36.99	39.89	47.06	56.70	61.77	69.34	76.61	84.97	93.32	107.20	244
-	-	-	-	-	20.25	25.11	32.69	37.10	40.00	47.18	56.82	61.89	69.47	76.73	85.10	93.44	107.33	245
-	-	-	-	-	-	-	27.57	32.22	35.24	42.61	52.41	57.54	65.18	72.50	80.91	89.29	103.22	246
-	-	-	-	-	-	-	-	26.76	30.02	37.76	47.83	53.04	60.78	68.17	76.64	85.07	99.06	247
-	-	-	-	-	-	-	-	26.97	30.23	37.98	48.06	53.28	61.02	68.41	76.89	85.32	99.31	248
-	-	-	-	-	-	-	27.78	32.44	35.46	42.84	52.65	57.78	65.42	72.75	81.16	89.54	103.47	249
-	-	-	-	-	-	-	27.89	32.55	35.57	42.95	52.77	57.90	65.55	72.87	81.28	89.67	103.60	250
-	-	-	-	-	-	-	-	27.17	30.45	38.20	48.29	53.51	61.26	68.65	77.13	85.56	99.56	251
-	-	-	-	-	-	-	28.00	32.66	35.68	43.07	52.89	58.02	65.67	72.99	81.41	89.79	103.73	252
-	-	-	-	-	-	-	-	38.43	48.52	53.74	61.50	68.89	77.37	85.81	94.28	108.78	253	
-	-	-	-	-	-	-	-	38.65	48.75	53.98	61.73	69.14	77.62	86.06	94.53	109.06	254	
-	-	-	-	-	-	-	-	27.52	30.87	38.65	48.75	53.98	61.73	69.14	77.62	86.06	100.06	255
0.95	0.95	1.00	1.00	1.00	1.05	1.05	1.05	1.10	1.10	1.10	1.10	1.10	1.10	1.10	1.10	1.10	1.10	




DISTRIBUIDOR MEX (55) 53 63 23 31 MTY (81) 83 54 10 18  
 AUTORIZADO QRO (442) 1 95 72 60 ventas@industrialmagza.com



# Synchronous Plus Drive 20M

## Selection Tables


Line No.	Drive Ratio	Sprocket Combination				1160 RPM DriveR					1750 RPM DriveR						
		DRIVER		DRIVEN		DN	Horsepower				DN	Horsepower					
		Teeth	PD (in)	Teeth	PD (in)	RPM	115MM	170MM	230MM	290MM	340MM	RPM	115MM	170MM	230MM	290MM	340MM
Multiply Horsepower Listed by Length Correction Factor to Find Horsepower Rating →																	
1	1.00	34	8.522	34	8.522	1160	214	331	-	-	-	1750	277	427	-	-	-
2	1.00	36	9.023	36	9.023	1160	229	354	-	-	-	1750	292	451	-	-	-
3	1.00	38	9.524	38	9.524	1160	243	376	526	-	-	1750	307	474	663	-	-
4	1.00	40	10.026	40	10.026	1160	257	397	555	-	-	1750	321	495	692	-	-
5	1.00	44	11.028	44	11.028	1160	284	438	612	-	-	1750	345	532	744	-	-
6	1.00	48	12.031	48	12.031	1160	308	475	665	-	-	1750	365	564	788	-	-
7	1.00	52	13.033	52	13.033	1160	321	496	694	897	1071	1750	359	553	774	1001	1195
8	1.00	56	14.036	56	14.036	1160	333	513	718	929	1108	1750	356	549	768	993	1185
9	1.00	60	15.038	60	15.038	1160	342	528	738	954	1139	1750	-	-	-	-	-
10	1.00	64	16.041	64	16.041	1160	349	539	754	975	1163	1750	-	-	-	-	-
11	1.00	68	17.043	68	17.043	1160	355	547	766	990	1182	1750	-	-	-	-	-
12	1.00	72	18.046	72	18.046	1160	358	553	773	1000	1193	1750	-	-	-	-	-
13	1.00	80	20.051	80	20.051	1160	360	555	776	1004	1197	1750	-	-	-	-	-
14	1.05	38	9.524	40	10.026	1102	243	376	526	-	-	1662	307	474	663	-	-
15	1.06	36	9.023	38	9.524	1099	229	354	-	-	-	1658	292	451	-	-	-
16	1.06	34	8.522	36	9.023	1096	214	331	-	-	-	1653	277	427	-	-	-
17	1.06	68	17.043	72	18.046	1096	355	547	766	990	1182	1653	-	-	-	-	-
18	1.06	64	16.041	68	17.043	1092	349	539	754	975	1163	1647	-	-	-	-	-
19	1.07	60	15.038	64	16.041	1088	342	528	738	954	1139	1641	-	-	-	-	-
20	1.07	56	14.036	60	15.038	1083	333	513	718	929	1108	1633	356	549	768	993	1185
21	1.08	52	13.033	56	14.036	1077	321	496	694	897	1071	1625	359	553	774	1001	1195
22	1.08	48	12.031	52	13.033	1071	308	475	665	-	-	1615	365	564	788	-	-
23	1.09	44	11.028	48	12.031	1063	284	438	612	-	-	1604	345	532	744	-	-
24	1.10	40	10.026	44	11.028	1055	257	397	555	-	-	1591	321	495	692	-	-
25	1.11	36	9.023	40	10.026	1044	229	354	-	-	-	1575	292	451	-	-	-
26	1.11	72	18.046	80	20.051	1044	358	553	773	1000	1193	1575	-	-	-	-	-
27	1.12	34	8.522	38	9.524	1038	214	331	-	-	-	1566	277	427	-	-	-
28	1.13	64	16.041	72	18.046	1031	349	539	754	975	1163	1556	-	-	-	-	-
29	1.13	80	20.051	90	22.557	1031	360	555	776	1004	1197	1556	-	-	-	-	-
30	1.13	60	15.038	68	17.043	1024	342	528	738	954	1139	1544	-	-	-	-	-
31	1.14	56	14.036	64	16.041	1015	333	513	718	929	1108	1531	356	549	768	993	1185
32	1.15	52	13.033	60	15.038	1005	321	496	694	897	1071	1517	359	553	774	1001	1195
33	1.16	38	9.524	44	11.028	1002	243	376	526	-	-	1511	307	474	663	-	-
34	1.17	48	12.031	56	14.036	994	308	475	665	-	-	1500	365	564	788	-	-
35	1.18	34	8.522	40	10.026	986	214	331	-	-	-	1488	277	427	-	-	-
36	1.18	68	17.043	80	20.051	986	355	547	766	990	1182	1488	-	-	-	-	-
37	1.18	44	11.028	52	13.033	982	284	438	612	-	-	1481	345	532	744	-	-
38	1.20	40	10.026	48	12.031	967	257	397	555	-	-	1458	321	495	692	-	-
39	1.20	60	15.038	72	18.046	967	342	528	738	954	1139	1458	-	-	-	-	-
40	1.21	56	14.036	68	17.043	955	333	513	718	929	1108	1441	356	549	768	993	1185
41	1.22	36	9.023	44	11.028	949	229	354	-	-	-	1432	292	451	-	-	-
42	1.23	52	13.033	64	16.041	942	321	496	694	897	1071	1422	359	553	774	1001	1195
43	1.25	48	12.031	60	15.038	928	308	475	665	-	-	1400	365	564	788	-	-
44	1.25	64	16.041	80	20.051	928	349	539	754	975	1163	1400	-	-	-	-	-
45	1.25	72	18.046	90	22.557	928	358	553	773	1000	1193	1400	-	-	-	-	-
46	1.26	38	9.524	48	12.031	918	243	376	526	-	-	1385	307	474	663	-	-
47	1.27	44	11.028	56	14.036	911	284	438	612	-	-	1375	345	532	744	-	-
48	1.29	56	14.036	72	18.046	902	333	513	718	929	1108	1361	356	549	768	993	1185
49	1.29	34	8.522	44	11.028	896	214	331	-	-	-	1352	277	427	-	-	-
50	1.30	40	10.026	52	13.033	892	257	397	555	-	-	1346	321	495	692	-	-
51	1.31	52	13.033	68	17.043	887	321	496	694	897	1071	1338	359	553	774	1001	1195
52	1.32	68	17.043	90	22.557	876	355	547	766	990	1182	1322	-	-	-	-	-
53	1.33	36	9.023	48	12.031	870	229	354	-	-	-	1312	292	451	-	-	-
54	1.33	48	12.031	64	16.041	870	308	475	665	-	-	1312	365	564	788	-	-
55	1.33	60	15.038	80	20.051	870	342	528	738	954	1139	1312	-	-	-	-	-
56	1.36	44	11.028	60	15.038	851	284	438	612	-	-	1283	345	532	744	-	-
57	1.37	38	9.524	52	13.033	848	243	376	526	-	-	1279	307	474	663	-	-
Multiply Horsepower Listed by Length Correction Factor to Find Horsepower Rating →																	


**DISTRIBUIDOR AUTORIZADO** MEX (55) 53 63 23 31 MTY (81) 83 54 10 18  
 QRO (442) 1 95 72 60 ventas@industrialmagza.com

# Synchronous Plus Drive 20M

## Selection Tables

CENTER DISTANCE											Line No.	
BELT LENGTH – Length Correction Factor												
2000	2500	3400	3800	4200	4600	5000	5200	5400	5800	6200		6600
<b>0.80</b>	<b>0.85</b>	<b>0.95</b>	<b>1.00</b>	<b>1.00</b>	<b>1.00</b>	<b>1.05</b>	<b>1.05</b>	<b>1.05</b>	<b>1.10</b>	<b>1.10</b>	<b>1.10</b>	
25.98	35.83	53.54	61.42	69.29	77.17	85.04	88.98	92.91	100.79	108.66	116.54	1
25.20	35.04	52.76	60.63	68.50	76.38	84.25	88.19	92.13	100.00	107.87	115.75	2
24.41	34.25	51.97	59.84	67.72	75.59	83.46	87.40	91.34	99.21	107.09	114.96	3
23.62	33.46	51.18	59.06	66.93	74.80	82.68	86.61	90.55	98.43	106.30	114.17	4
22.05	31.89	49.61	57.48	65.35	73.23	81.10	85.04	88.98	96.85	104.72	112.60	5
20.47	30.31	48.03	55.91	63.78	71.65	79.53	83.46	87.40	95.28	103.15	111.02	6
18.90	28.74	46.46	54.33	62.20	70.08	77.95	81.89	85.83	93.70	101.57	109.45	7
17.32	27.17	44.88	52.76	60.63	68.50	76.38	80.31	84.25	92.13	100.00	107.87	8
-	25.59	43.31	51.18	59.06	66.93	74.80	78.74	82.68	90.55	98.43	106.30	9
-	24.02	41.73	49.61	57.48	65.35	73.23	77.17	81.10	88.98	96.85	104.72	10
-	22.44	40.16	48.03	55.91	63.78	71.65	75.59	79.53	87.40	95.28	103.15	11
-	20.87	38.58	46.46	54.33	62.20	70.08	74.02	77.95	85.83	93.70	101.57	12
-	-	35.43	43.31	51.18	59.06	66.93	70.87	74.80	82.68	90.55	98.43	13
24.01	33.86	51.57	59.45	67.32	75.20	83.07	87.01	90.94	98.82	106.69	114.57	14
24.80	34.64	52.36	60.24	68.11	75.98	83.86	87.79	91.73	99.61	107.48	115.35	15
25.59	35.43	53.15	61.02	68.90	76.77	84.65	88.58	92.52	100.39	108.27	116.14	16
-	21.65	39.37	47.24	55.12	62.99	70.86	74.80	78.74	86.61	94.49	102.36	17
-	23.22	40.94	48.82	56.69	64.56	72.44	76.38	80.31	88.19	96.06	103.94	18
-	24.80	42.52	50.39	58.27	66.14	74.01	77.95	81.89	89.76	97.64	105.51	19
-	26.37	44.09	51.97	59.84	67.71	75.59	79.53	83.46	91.34	99.21	107.09	20
18.10	27.95	45.67	53.54	61.42	69.29	77.16	81.10	85.04	92.91	100.79	108.66	21
19.68	29.52	47.24	55.12	62.99	70.86	78.74	82.68	86.61	94.49	102.36	110.24	22
21.25	31.10	48.82	56.69	64.56	72.44	80.31	84.25	88.19	96.06	103.94	111.81	23
22.83	32.67	50.39	58.27	66.14	74.01	81.89	85.83	89.76	97.64	105.51	113.38	24
24.40	34.25	51.97	59.84	67.71	75.59	83.46	87.40	91.34	99.21	107.09	114.96	25
-	-	36.99	44.87	52.75	60.62	68.50	72.43	76.37	84.25	92.12	99.99	26
25.19	35.04	52.75	60.63	68.50	76.38	84.25	88.19	92.12	100.00	107.87	115.75	27
-	22.42	40.14	48.02	55.90	63.77	71.65	75.58	79.52	87.40	95.27	103.14	28
-	-	33.44	41.32	49.20	57.07	64.95	68.89	72.82	80.70	88.57	96.45	29
-	23.99	41.72	49.60	57.47	65.35	73.22	77.16	81.10	88.97	96.85	104.72	30
-	25.57	43.30	51.17	59.05	66.92	74.80	78.73	82.67	90.55	98.42	106.29	31
17.29	27.15	44.87	52.75	60.62	68.50	76.37	80.31	84.25	92.12	99.99	107.87	32
23.22	33.06	50.78	58.66	66.53	74.41	82.28	86.22	90.15	98.03	105.90	113.78	33
18.87	28.72	46.45	54.32	62.20	70.07	77.95	81.88	85.82	93.70	101.57	109.44	34
24.79	34.64	52.36	60.23	68.11	75.98	83.85	87.79	91.73	99.60	107.48	115.35	35
-	-	37.77	45.64	53.52	61.40	69.27	73.21	77.15	85.03	92.90	100.78	36
20.45	30.30	48.02	55.90	63.77	71.65	79.52	83.46	87.40	95.27	103.14	111.02	37
22.02	31.87	49.60	57.47	65.35	73.22	81.10	85.03	88.97	96.85	104.72	112.59	38
-	23.18	40.92	48.80	56.67	64.55	72.43	76.36	80.30	88.18	96.05	103.93	39
-	24.76	42.49	50.37	58.25	66.12	74.00	77.94	81.88	89.75	97.63	105.50	40
23.60	33.45	51.17	59.05	66.92	74.80	82.67	86.61	90.55	98.42	106.29	114.17	41
-	26.33	44.07	51.95	59.82	67.70	75.58	79.51	83.45	91.33	99.20	107.08	42
18.05	27.91	45.64	53.52	61.40	69.27	77.15	81.09	85.03	92.90	100.78	108.65	43
-	20.77	38.53	46.41	54.29	62.17	70.05	73.99	77.93	85.80	93.68	101.55	44
-	-	34.97	42.85	50.74	58.62	66.50	70.44	74.38	82.25	90.13	98.01	45
22.41	32.26	49.98	57.86	65.74	73.61	81.49	85.42	89.36	97.24	105.11	112.99	46
19.63	29.49	47.22	55.10	62.97	70.85	78.73	82.66	86.60	94.48	102.35	110.23	47
-	23.93	41.68	49.57	57.45	65.32	73.20	77.14	81.08	88.95	96.83	104.71	48
23.98	33.84	51.56	59.44	67.31	75.19	83.06	87.00	90.94	98.81	106.69	114.56	49
21.21	31.07	48.80	56.67	64.55	72.43	80.30	84.24	88.18	96.05	103.93	111.80	50
-	25.51	43.26	51.14	59.02	66.90	74.78	78.71	82.65	90.53	98.40	106.28	51
-	-	35.72	43.61	51.50	59.38	67.27	71.21	75.15	83.02	90.90	98.78	52
22.78	32.64	50.37	58.25	66.12	74.00	81.88	85.81	89.75	97.63	105.50	113.38	53
17.21	27.09	44.84	52.72	60.60	68.47	76.35	80.29	84.23	92.10	99.98	107.86	54
-	21.51	39.29	47.18	55.06	62.94	70.82	74.76	78.70	86.58	94.46	102.34	55
18.79	28.67	46.41	54.29	62.17	70.05	77.93	81.87	85.81	93.69	101.57	109.45	56
21.58	31.45	49.18	57.06	64.94	72.81	80.69	84.63	88.57	96.44	104.32	112.19	57
<b>0.80</b>	<b>0.85</b>	<b>0.95</b>	<b>1.00</b>	<b>1.00</b>	<b>1.00</b>	<b>1.05</b>	<b>1.05</b>	<b>1.05</b>	<b>1.10</b>	<b>1.10</b>	<b>1.10</b>	


**DISTRIBUIDOR AUTORIZADO** MEX (55) 53 63 23 31 MTY (81) 83 54 10 18  
**AUTORIZADO** QRO (442) 1 95 72 60 [ventas@industrialmagza.com](mailto:ventas@industrialmagza.com)

# Synchronous Plus Drive 20M

## Selection Tables

Line No.	Drive Ratio	Sprocket Combination				1160 RPM DriveR						1750 RPM DriveR					
		DRIVER		DRIVEN		DN RPM	Horsepower					DN RPM	Horsepower				
		Teeth	PD (in)	Teeth	PD (in)		115MM	170MM	230MM	290MM	340MM		115MM	170MM	230MM	290MM	340MM
<b>Multiply Horsepower Listed by Length Correction Factor to Find Horsepower Rating --&gt;</b>																	
58	1.38	52	13.033	72	18.046	838	321	496	694	897	1071	1264	359	553	774	1001	1195
59	1.40	40	10.026	56	14.036	829	257	397	555	-	-	1250	321	495	692	-	-
60	1.40	80	20.051	112	28.071	829	360	555	776	1004	1197	1250	-	-	-	-	-
61	1.41	64	16.041	90	22.557	825	349	539	754	975	1163	1244	-	-	-	-	-
62	1.41	34	8.522	48	12.031	822	214	331	-	-	-	1240	277	427	-	-	-
63	1.42	48	12.031	68	17.043	819	308	475	665	-	-	1235	365	564	788	-	-
64	1.43	56	14.036	80	20.051	812	333	513	718	929	1108	1225	356	549	768	993	1185
65	1.44	36	9.023	52	13.033	803	229	354	-	-	-	1212	292	451	-	-	-
66	1.45	44	11.028	64	16.041	798	284	438	612	-	-	1203	345	532	744	-	-
67	1.47	38	9.524	56	14.036	787	243	376	526	-	-	1188	307	474	663	-	-
68	1.50	40	10.026	60	15.038	773	257	397	555	-	-	1167	321	495	692	-	-
69	1.50	48	12.031	72	18.046	773	308	475	665	-	-	1167	365	564	788	-	-
70	1.50	60	15.038	90	22.557	773	342	528	738	954	1139	1167	-	-	-	-	-
71	1.53	34	8.522	52	13.033	758	214	331	-	-	-	1144	277	427	-	-	-
72	1.54	52	13.033	80	20.051	754	321	496	694	897	1071	1138	359	553	774	1001	1195
73	1.55	44	11.028	68	17.043	751	284	438	612	-	-	1132	345	532	744	-	-
74	1.56	36	9.023	56	14.036	746	229	354	-	-	-	1125	292	451	-	-	-
75	1.56	72	18.046	112	28.071	746	358	553	773	1000	1193	1125	-	-	-	-	-
76	1.58	38	9.524	60	15.038	735	243	376	526	-	-	1108	307	474	663	-	-
77	1.60	40	10.026	64	16.041	725	257	397	555	-	-	1094	321	495	692	-	-
78	1.61	56	14.036	90	22.557	722	333	513	718	929	1108	1089	356	549	768	993	1185
79	1.64	44	11.028	72	18.046	709	284	438	612	-	-	1069	345	532	744	-	-
80	1.65	34	8.522	56	14.036	704	214	331	-	-	-	1062	277	427	-	-	-
81	1.65	68	17.043	112	28.071	704	355	547	766	990	1182	1062	-	-	-	-	-
82	1.67	36	9.023	60	15.038	696	229	354	-	-	-	1050	292	451	-	-	-
83	1.67	48	12.031	80	20.051	696	308	475	665	-	-	1050	365	564	788	-	-
84	1.68	38	9.524	64	16.041	689	243	376	526	-	-	1039	307	474	663	-	-
85	1.70	40	10.026	68	17.043	682	257	397	555	-	-	1029	321	495	692	-	-
86	1.73	52	13.033	90	22.557	670	321	496	694	897	1071	1011	359	553	774	1001	1195
87	1.75	64	16.041	112	28.071	663	349	539	754	975	1163	1000	-	-	-	-	-
88	1.76	34	8.522	60	15.038	657	214	331	-	-	-	992	277	427	-	-	-
89	1.78	36	9.023	64	16.041	652	229	354	-	-	-	984	292	451	-	-	-
90	1.79	38	9.524	68	17.043	648	243	376	526	-	-	978	307	474	663	-	-
91	1.80	40	10.026	72	18.046	644	257	397	555	-	-	972	321	495	692	-	-
92	1.80	80	20.051	144	36.092	644	360	555	776	1004	1197	972	-	-	-	-	-
93	1.82	44	11.028	80	20.051	638	284	438	612	-	-	962	345	532	744	-	-
94	1.87	60	15.038	112	28.071	621	342	528	738	954	1139	938	-	-	-	-	-
95	1.88	48	12.031	90	22.557	619	308	475	665	-	-	933	365	564	788	-	-
96	1.88	34	8.522	64	16.041	616	214	331	-	-	-	930	277	427	-	-	-
97	1.89	36	9.023	68	17.043	614	229	354	-	-	-	926	292	451	-	-	-
98	1.89	38	9.524	72	18.046	612	243	376	526	-	-	924	307	474	663	-	-
99	2.00	34	8.522	68	17.043	580	214	331	-	-	-	875	277	427	-	-	-
100	2.00	36	9.023	72	18.046	580	229	354	-	-	-	875	292	451	-	-	-
101	2.00	40	10.026	80	20.051	580	257	397	555	-	-	875	321	495	692	-	-
102	2.00	56	14.036	112	28.071	580	333	513	718	929	1108	875	356	549	768	993	1185
103	2.00	72	18.046	144	36.092	580	358	553	773	1000	1193	875	-	-	-	-	-
104	2.05	44	11.028	90	22.557	567	284	438	612	-	-	856	345	532	744	-	-
105	2.10	80	20.051	168	42.107	552	360	555	776	1004	1197	833	-	-	-	-	-
106	2.11	38	9.524	80	20.051	551	243	376	526	-	-	831	307	474	663	-	-
107	2.12	34	8.522	72	18.046	548	214	331	-	-	-	826	277	427	-	-	-
108	2.12	68	17.043	144	36.092	548	355	547	766	990	1182	826	-	-	-	-	-
109	2.15	52	13.033	112	28.071	539	321	496	694	897	1071	812	359	553	774	1001	1195
110	2.22	36	9.023	80	20.051	522	229	354	-	-	-	788	292	451	-	-	-
111	2.25	40	10.026	90	22.557	516	257	397	-	-	-	778	321	495	692	-	-
112	2.25	64	16.041	144	36.092	516	349	539	754	975	1163	750	-	-	-	-	-
113	2.33	48	12.031	112	28.071	497	308	475	665	-	-	750	-	-	-	-	-
114	2.33	72	18.046	168	42.107	497	358	553	773	1000	1193	750	-	-	-	-	-
<b>Multiply Horsepower Listed by Length Correction Factor to Find Horsepower Rating --&gt;</b>																	



DISTRIBUIDOR AUTORIZADO MEX (55) 53 63 23 31 MTY (81) 83 54 10 18 - QRO (442) 1 95 72 60 ventas@industrialmagza.com






# Synchronous Plus Drive 20M

## Selection Tables

CENTER DISTANCE												Line No.
BELT LENGTH - Length Correction Factor												
2000	2500	3400	3800	4200	4600	5000	5200	5400	5800	6200	6600	
0.80	0.85	0.95	1.00	1.00	1.00	1.05	1.05	1.05	1.10	1.10	1.10	
-	24.68	42.45	50.33	58.21	66.09	73.97	77.91	81.85	89.73	97.61	105.48	58
20.37	30.25	47.99	55.87	63.75	71.63	79.50	83.44	87.38	95.25	103.13	111.01	59
-	-	28.86	36.79	44.70	52.60	60.50	64.44	68.39	76.27	84.16	92.04	60
-	-	36.47	44.37	52.26	60.15	68.03	71.97	75.91	83.79	91.67	99.55	61
23.16	33.02	50.76	58.64	66.51	74.39	82.26	86.20	90.14	98.02	105.89	113.77	62
-	26.26	44.02	51.91	59.79	67.67	75.55	79.49	83.43	91.30	99.18	107.06	63
-	22.24	40.04	47.94	55.82	63.71	71.59	75.53	79.47	87.35	95.23	103.11	64
21.96	31.83	49.57	57.45	65.32	73.20	81.08	85.02	88.95	96.83	104.71	112.58	65
17.94	27.84	45.60	53.48	61.37	69.25	77.12	81.06	85.00	92.88	100.76	108.63	66
20.74	30.63	48.37	56.25	64.13	72.01	79.89	83.83	87.77	95.64	103.52	111.39	67
19.52	29.42	47.18	55.06	62.94	70.82	78.70	82.64	86.58	94.45	102.33	110.21	68
-	25.41	43.20	51.09	58.98	66.86	74.74	78.68	82.62	90.50	98.38	106.26	69
-	-	37.21	45.12	53.02	60.91	68.79	72.74	76.68	84.56	92.44	100.32	70
22.33	32.20	49.95	57.83	65.71	73.59	81.46	85.40	89.34	97.22	105.09	112.97	71
-	22.96	40.79	48.69	56.58	64.47	72.36	76.30	80.24	88.12	96.00	103.88	72
17.06	27.00	44.78	52.67	60.56	68.44	76.32	80.26	84.20	92.08	99.95	107.83	73
21.11	31.00	48.75	56.64	64.52	72.40	80.28	84.21	88.15	96.03	103.91	111.78	74
-	-	30.29	38.25	46.18	54.10	62.00	65.95	69.90	77.79	85.68	93.57	75
19.89	29.79	47.56	55.44	63.33	71.21	79.09	83.03	86.96	94.84	102.72	110.60	76
18.66	28.58	46.36	54.25	62.13	70.01	77.89	81.83	85.77	93.65	101.53	109.41	77
-	-	37.95	45.86	53.77	61.66	69.55	73.50	77.44	85.33	93.21	101.09	78
-	26.14	43.95	51.85	59.74	67.63	75.51	79.45	83.39	91.27	99.15	107.03	79
21.48	31.37	49.14	57.02	64.90	72.78	80.66	84.60	88.54	96.42	104.29	112.17	80
-	-	31.01	38.98	46.92	54.84	62.75	66.70	70.65	78.55	86.44	94.33	81
20.25	30.16	47.94	55.82	63.71	71.59	79.47	83.41	87.35	95.23	103.11	110.98	82
-	23.68	41.54	49.44	57.34	65.23	73.12	77.06	81.00	88.89	96.77	104.65	83
19.01	28.95	46.74	54.63	62.51	70.40	78.28	82.22	86.16	94.04	101.92	109.79	84
17.76	27.73	45.53	53.43	61.32	69.20	77.09	81.03	84.97	92.85	100.73	108.60	85
-	20.71	38.68	46.61	54.52	62.42	70.31	74.26	78.20	86.09	93.97	101.86	86
-	-	31.71	39.70	47.65	55.58	63.49	67.45	71.40	79.30	87.19	95.09	87
20.61	30.53	48.32	56.20	64.09	71.97	79.85	83.79	87.73	95.61	103.49	111.37	88
19.37	29.32	47.11	55.01	62.89	70.78	78.66	82.60	86.54	94.42	102.30	110.18	89
18.11	28.09	45.91	53.81	61.70	69.58	77.47	81.41	85.35	93.23	101.11	108.99	90
16.85	26.87	44.70	52.60	60.50	68.39	76.27	80.21	84.16	92.04	99.92	107.80	91
-	-	-	-	37.73	45.75	53.73	57.71	61.68	69.62	77.54	85.45	92
-	24.39	42.28	50.19	58.09	65.99	73.88	77.82	81.77	89.65	97.53	105.42	93
-	-	32.42	40.42	48.38	56.32	64.24	68.19	72.15	80.05	87.95	95.84	94
-	21.40	39.41	47.35	55.26	63.17	71.06	75.01	78.96	86.85	94.74	102.62	95
19.72	29.68	47.49	55.38	63.27	71.16	79.04	82.99	86.93	94.81	102.69	110.57	96
18.46	28.46	46.28	54.18	62.08	69.96	77.85	81.79	85.73	93.61	101.50	109.38	97
17.19	27.23	45.07	52.98	60.87	68.77	76.65	80.60	84.54	92.42	100.30	108.18	98
18.81	28.82	46.66	54.56	62.45	70.34	78.23	82.17	86.12	94.00	101.88	109.76	99
17.53	27.58	45.45	53.35	61.25	69.14	77.03	80.98	84.92	92.80	100.69	108.57	100
-	25.09	43.01	50.93	58.84	66.74	74.63	78.58	82.52	90.41	98.30	106.18	101
-	-	33.11	41.13	49.10	57.05	64.98	68.93	72.89	80.80	88.70	96.60	102
-	-	-	30.97	39.12	47.17	55.17	59.15	63.13	71.08	79.01	86.93	103
-	22.08	40.14	48.08	56.00	63.91	71.82	75.76	79.71	87.61	95.50	103.38	104
-	-	-	-	-	40.22	48.35	52.38	56.40	64.41	72.39	80.35	105
-	25.44	43.38	51.30	59.21	67.12	75.01	78.96	82.90	90.79	98.68	106.56	106
17.87	27.94	45.82	53.73	61.63	69.52	77.41	81.36	85.30	93.19	101.07	108.95	107
-	-	-	31.64	39.81	47.87	55.88	59.87	63.86	71.81	79.75	87.67	108
-	-	33.81	41.84	49.83	57.78	65.71	69.67	73.63	81.54	89.45	97.35	109
-	25.79	43.75	51.67	59.59	67.49	75.39	79.34	83.28	91.17	99.06	106.94	110
-	22.76	40.86	48.81	56.74	64.66	72.56	76.50	80.46	88.36	96.25	104.14	111
-	-	-	32.30	40.49	48.57	56.59	60.59	64.59	72.50	80.41	88.32	112
-	-	34.50	42.55	50.54	58.51	66.44	70.44	74.44	82.36	90.27	98.18	113
-	-	-	-	33.26	41.57	49.73	53.77	57.80	65.83	73.82	81.79	114
0.80	0.85	0.95	1.00	1.00	1.00	1.05	1.05	1.05	1.10	1.10	1.10	


**DISTRIBUIDOR AUTORIZADO** MEX (55) 58 63 23 31 11 11 MTY (81) 83 54 10 18  
 QRO (442) 1 95 72 60 11 13 ventas@industrialmagza.com

# Synchronous Plus Drive 20M

## Selection Tables

Line No.	Drive Ratio	Sprocket Combination				1160 RPM DriveR						1750 RPM DriveR					
		DRIVER		DRIVEN		DN RPM	Horsepower					DN RPM	Horsepower				
		Teeth	PD (in)	Teeth	PD (in)		115MM	170MM	230MM	290MM	340MM		115MM	170MM	230MM	290MM	340MM
<b>Multiply Horsepower Listed by Length Correction Factor to Find Horsepower Rating --&gt;</b>																	
115	2.35	34	8.522	80	20.051	493	214	331	-	-	-	744	277	427	-	-	-
116	2.37	38	9.524	90	22.557	490	243	376	526	-	-	739	307	474	663	-	-
117	2.40	60	15.038	144	36.092	483	342	528	738	954	1139	729	-	-	-	-	-
118	2.40	80	20.051	192	48.122	483	360	555	776	1004	1197	729	-	-	-	-	-
119	2.47	68	17.043	168	42.107	470	355	547	766	990	1182	708	-	-	-	-	-
120	2.50	36	9.023	90	22.557	464	229	354	-	-	-	700	292	451	-	-	-
121	2.55	44	11.028	112	28.071	456	284	438	612	-	-	688	345	532	744	-	-
122	2.57	56	14.036	144	36.092	451	333	513	718	929	1108	681	356	549	768	993	1185
123	2.63	64	16.041	168	42.107	442	349	539	754	975	1163	667	-	-	-	-	-
124	2.65	34	8.522	90	22.557	438	214	331	-	-	-	661	277	427	-	-	-
125	2.67	72	18.046	192	48.122	435	358	553	773	1000	1193	656	-	-	-	-	-
126	2.70	80	20.051	216	54.138	430	360	555	776	1004	1197	648	-	-	-	-	-
127	2.77	52	13.033	144	36.092	419	321	496	694	897	1071	632	359	553	774	1001	1195
128	2.80	40	10.026	112	28.071	414	257	397	555	-	-	625	321	495	692	-	-
129	2.80	60	15.038	168	42.107	414	342	528	738	954	1139	625	-	-	-	-	-
130	2.82	68	17.043	192	48.122	411	355	547	766	990	1182	620	-	-	-	-	-
131	2.95	38	9.524	112	28.071	394	243	376	526	-	-	594	307	474	663	-	-
132	3.00	48	12.031	144	36.092	387	308	475	665	-	-	583	365	564	788	-	-
133	3.00	56	14.036	168	42.107	387	333	513	718	929	1108	583	356	549	768	993	1185
134	3.00	64	16.041	192	48.122	387	349	539	754	975	1163	583	-	-	-	-	-
135	3.00	72	18.046	216	54.138	387	358	553	773	1000	1193	583	-	-	-	-	-
136	3.11	36	9.023	112	28.071	373	229	354	-	-	-	562	292	451	-	-	-
137	3.18	68	17.043	216	54.138	365	355	547	766	990	1182	551	-	-	-	-	-
138	3.20	60	15.038	192	48.122	362	342	528	738	954	1139	547	-	-	-	-	-
139	3.23	52	13.033	168	42.107	359	321	496	694	897	1071	542	359	553	774	1001	1195
140	3.27	44	11.028	144	36.092	354	284	438	612	-	-	535	345	532	744	-	-
141	3.29	34	8.522	112	28.071	352	214	331	-	-	-	531	277	427	-	-	-
142	3.38	64	16.041	216	54.138	344	349	539	754	975	1163	519	-	-	-	-	-
143	3.43	56	14.036	192	48.122	338	333	513	718	929	1108	510	356	549	768	993	1185
144	3.50	48	12.031	168	42.107	331	308	475	665	-	-	500	365	564	788	-	-
145	3.60	40	10.026	144	36.092	322	257	397	555	-	-	486	321	495	692	-	-
146	3.60	60	15.038	216	54.138	322	342	528	738	954	1139	486	-	-	-	-	-
147	3.69	52	13.033	192	48.122	314	321	496	694	897	1071	474	359	553	774	1001	1195
148	3.79	38	9.524	144	36.092	306	243	376	526	-	-	462	307	474	663	-	-
149	3.82	44	11.028	168	42.107	304	284	438	612	-	-	458	345	532	744	-	-
150	3.86	56	14.036	216	54.138	301	333	513	718	929	1108	454	356	549	768	993	1185
151	4.00	36	9.023	144	36.092	290	229	354	-	-	-	438	292	451	-	-	-
152	4.00	48	12.031	192	48.122	290	308	475	665	-	-	438	365	564	788	-	-
153	4.15	52	13.033	216	54.138	279	321	496	694	897	1071	421	359	553	774	1001	1195
154	4.20	40	10.026	168	42.107	276	257	397	555	-	-	417	321	495	692	-	-
155	4.24	34	8.522	144	36.092	274	214	331	-	-	-	413	277	427	-	-	-
156	4.36	44	11.028	192	48.122	266	284	438	612	-	-	401	345	532	744	-	-
157	4.42	38	9.524	168	42.107	262	243	376	526	-	-	396	307	474	663	-	-
158	4.50	48	12.031	216	54.138	258	308	475	665	-	-	389	365	564	788	-	-
159	4.67	36	9.023	168	42.107	249	229	354	-	-	-	375	292	451	-	-	-
160	4.80	40	10.026	192	48.122	242	257	397	555	-	-	365	321	495	692	-	-
161	4.91	44	11.028	216	54.138	236	284	438	612	-	-	356	345	532	744	-	-
162	4.94	34	8.522	168	42.107	235	214	331	-	-	-	354	277	427	-	-	-
163	5.05	38	9.524	192	48.122	230	243	376	526	-	-	346	307	474	663	-	-
164	5.33	36	9.023	192	48.122	218	229	354	-	-	-	328	292	451	-	-	-
165	5.40	40	10.026	216	54.138	215	257	397	555	-	-	324	321	495	692	-	-
166	5.65	34	8.522	192	48.122	205	214	331	-	-	-	310	277	427	-	-	-
167	5.68	38	9.524	216	54.138	204	243	376	-	-	-	308	307	474	663	-	-
168	6.00	36	9.023	216	54.138	193	229	354	-	-	-	292	277	427	-	-	-
169	6.35	34	8.522	216	54.138	183	214	331	-	-	-	275	277	427	-	-	-
<b>Multiply Horsepower Listed by Length Correction Factor to Find Horsepower Rating --&gt;</b>																	



DISTRIBUIDOR MEX (55) 53 63 23 31 MTY (81) 83 54 10 18  
 AUTORIZADO QRO (442) 1 95 72 60 ventas@industrialmagza.com



# Synchronous Plus Drive 20M

## Selection Tables

CENTER DISTANCE											Line No.
BELT LENGTH – Length Correction Factor											
2500	3400	3800	4200	4600	5000	5200	5400	5800	6200	6600	
0.85	0.95	1.00	1.00	1.00	1.05	1.05	1.05	1.10	1.10	1.10	
26.14	44.11	52.04	59.96	67.87	75.76	79.71	83.66	91.55	99.44	107.33	115
23.10	41.22	49.17	57.11	65.03	72.94	76.89	80.84	88.74	96.63	104.52	116
-	-	32.96	41.17	49.27	57.30	61.30	65.29	73.26	81.21	89.14	117
-	-	-	-	-	42.57	46.71	50.82	58.96	67.03	75.07	118
-	-	-	33.90	42.24	50.41	54.46	58.50	66.54	74.54	82.51	119
23.43	41.58	49.54	57.48	65.40	73.31	77.26	81.21	89.11	97.01	104.90	120
-	35.19	43.25	51.26	59.23	67.18	71.14	75.11	83.03	90.94	98.85	121
-	-	33.62	41.85	49.96	58.01	62.01	66.01	73.98	81.93	89.87	122
-	-	-	34.55	42.90	51.09	55.15	59.20	67.24	75.25	83.23	123
23.77	41.93	49.90	57.84	65.77	73.68	77.64	81.59	89.49	97.38	105.28	124
-	-	-	-	35.39	43.88	48.04	52.16	60.33	68.43	76.47	125
-	-	-	-	-	-	40.51	44.79	53.17	61.41	69.57	126
-	-	34.28	42.53	50.66	58.71	62.72	66.72	74.70	82.66	90.60	127
-	35.87	43.96	51.97	59.95	67.90	71.87	75.84	83.77	91.68	99.59	128
-	-	-	35.19	43.57	51.77	55.84	59.89	67.94	75.96	83.95	129
-	-	-	-	36.02	44.53	48.70	52.83	61.01	69.12	77.18	130
-	36.21	44.30	52.33	60.31	68.27	72.24	76.21	84.13	92.05	99.96	131
-	26.39	34.94	43.21	51.35	59.41	63.43	67.43	75.42	83.38	91.33	132
-	-	-	35.83	44.23	52.45	56.52	60.58	68.64	76.67	84.66	133
-	-	-	-	36.65	45.18	49.36	53.50	61.69	69.81	77.88	134
-	-	-	-	-	-	41.77	46.07	54.49	62.76	70.93	135
-	36.55	44.65	52.68	60.67	68.63	72.60	76.57	84.50	92.42	100.34	136
-	-	-	-	-	37.99	42.40	46.71	55.15	63.43	71.61	137
-	-	-	-	37.27	45.83	50.02	54.17	62.37	70.50	78.57	138
-	-	-	36.47	44.89	53.13	57.21	61.27	69.34	77.37	85.38	139
-	27.01	35.59	43.88	52.03	60.11	64.13	68.14	76.13	84.11	92.06	140
-	36.89	45.00	53.04	61.03	68.99	72.97	76.94	84.87	92.79	100.71	141
-	-	-	-	-	38.61	43.03	47.35	55.80	64.10	72.29	142
-	-	-	-	37.90	46.48	50.68	54.83	63.05	71.19	79.27	143
-	-	-	37.11	45.55	53.80	57.89	61.95	70.04	78.08	86.09	144
-	27.64	36.24	44.55	52.72	60.81	64.83	68.84	76.85	84.83	92.79	145
-	-	-	-	-	39.22	43.65	47.99	56.46	64.77	72.97	146
-	-	-	-	38.52	47.13	51.33	55.49	63.73	71.87	79.96	147
-	27.94	36.56	44.88	53.06	61.16	65.18	69.20	77.20	85.18	93.15	148
-	-	28.89	37.75	46.21	54.48	58.57	62.64	70.73	78.78	86.80	149
-	-	-	-	-	39.84	44.28	48.62	57.11	65.43	73.65	150
-	28.25	36.89	45.22	53.40	61.50	65.53	69.55	77.56	85.54	93.51	151
-	-	-	-	39.15	47.77	51.99	56.16	64.40	72.56	80.66	152
-	-	-	-	-	40.45	44.90	49.26	57.76	66.10	74.32	153
-	-	29.50	38.38	46.86	55.15	59.25	63.32	71.43	79.48	87.51	154
-	28.56	37.21	45.55	53.74	61.85	65.88	69.90	77.91	85.90	93.87	155
-	-	-	-	39.77	48.42	52.64	56.82	65.07	73.24	81.35	156
-	-	29.80	38.70	47.19	55.48	59.58	63.66	71.77	79.83	87.86	157
-	-	-	-	-	41.06	45.53	49.89	58.41	66.76	75.00	158
-	-	30.10	39.01	47.51	55.82	59.92	64.00	72.12	80.18	88.21	159
-	-	-	31.19	40.39	49.06	53.29	57.47	65.74	73.92	82.04	160
-	-	-	-	-	41.67	46.15	50.52	59.06	67.42	75.67	161
-	-	30.40	39.33	47.84	56.15	60.26	64.34	72.46	80.53	88.57	162
-	-	-	31.49	40.70	49.38	53.61	57.80	66.08	74.26	82.39	163
-	-	-	31.78	41.01	49.70	53.94	58.13	66.41	74.60	82.73	164
-	-	-	-	-	42.28	46.77	51.15	59.71	68.08	76.34	165
-	-	-	32.08	41.32	50.02	54.26	58.40	66.75	74.94	83.07	166
-	-	-	-	-	42.58	47.08	51.09	59.59	67.94	76.19	167
-	-	-	-	-	42.89	47.39	51.39	60.00	68.24	76.49	168
-	-	-	-	33.60	43.19	47.70	52.09	60.67	69.07	77.35	169
0.85	0.95	1.00	1.00	1.00	1.05	1.05	1.05	1.10	1.10	1.10	



MEX (55) 53 63 23 31 MTY (81) 83 54 10 18  
 QRO (442) 1 95 72 60 ventas@industrialmagza.com

# Synchronous Plus Drive Horsepower Ratings 5M

## 15MM WIDE

The following tables represent the horsepower ratings for each belt at the pre-determined No. of Teeth, Pitch Diameters and RPMs. These ratings must be multiplied by the applicable belt length factor to obtain corrected HP rating.

	No Teeth	32	34	36	38	40	44	48	52	56	60	64	68	72
	PD (in)	2.005	2.130	2.256	2.381	2.506	2.757	3.008	3.258	3.509	3.760	4.010	4.261	4.511
	1160	2.72	2.96	3.20	3.44	3.68	4.16	4.63	5.10	5.57	6.03	6.49	6.94	7.39
	1460	3.32	3.62	3.92	4.22	4.51	5.10	5.68	6.26	6.83	7.39	7.96	8.52	9.07
	1750	3.88	4.24	4.59	4.94	5.29	5.97	6.66	7.34	8.01	8.68	9.34	10.00	10.65
	2900	5.99	6.55	7.09	7.65	8.19	9.27	10.34	11.39	12.43	13.47	14.48	15.49	16.48
	3500	7.02	7.68	8.33	8.97	9.62	10.89	12.14	13.37	14.59	15.79	16.97	18.13	19.28
Smallest Sprocket RPM	10	0.04	0.04	0.04	0.05	0.05	0.05	0.06	0.07	0.07	0.08	0.08	0.09	0.10
	20	0.07	0.08	0.08	0.09	0.09	0.10	0.12	0.13	0.14	0.15	0.16	0.17	0.19
	40	0.13	0.14	0.15	0.17	0.18	0.20	0.22	0.24	0.26	0.28	0.30	0.32	0.34
	60	0.19	0.21	0.22	0.24	0.26	0.28	0.32	0.34	0.38	0.41	0.44	0.47	0.50
	100	0.31	0.34	0.35	0.38	0.41	0.46	0.50	0.56	0.61	0.65	0.71	0.75	0.80
	200	0.57	0.62	0.67	0.71	0.77	0.86	0.95	1.05	1.14	1.24	1.32	1.42	1.51
	300	0.82	0.89	0.96	1.03	1.10	1.24	1.38	1.51	1.65	1.78	1.91	2.05	2.19
	400	1.06	1.16	1.24	1.33	1.43	1.61	1.78	1.96	2.14	2.31	2.49	2.66	2.83
	500	1.30	1.40	1.52	1.63	1.74	1.96	2.18	2.40	2.62	2.83	3.04	3.26	3.47
	600	1.52	1.65	1.78	1.91	2.05	2.31	2.57	2.83	3.09	3.34	3.59	3.85	4.09
	800	1.96	2.14	2.30	2.48	2.65	2.99	3.33	3.66	4.00	4.32	4.65	4.98	5.30
	1000	2.38	2.59	2.81	3.02	3.23	3.64	4.06	4.47	4.88	5.29	5.68	6.08	6.48
	1250	2.89	3.16	3.41	3.68	3.94	4.45	4.95	5.45	5.95	6.44	6.94	7.42	7.91
	2000	4.36	4.76	5.15	5.55	5.94	6.72	7.49	8.25	9.01	9.76	10.50	11.24	11.97
	2500	5.28	5.76	6.25	6.73	7.21	8.16	9.10	10.02	10.94	11.85	12.75	13.64	14.52
	3000	6.17	6.74	7.31	7.87	8.44	9.55	10.64	11.73	12.80	13.86	14.90	15.94	16.96
	4000	7.85	8.59	9.32	10.04	10.77	12.19	13.58	14.96	16.31	17.63	18.94	20.23	21.49
	4500	8.66	9.47	10.28	11.08	11.87	13.44	14.97	16.47	17.96	19.40	20.83	22.21	23.57
	5000	9.44	10.32	11.21	12.08	12.95	14.65	16.31	17.94	19.53	21.09	22.61	24.08	25.53
	5500	10.19	11.15	12.11	13.05	13.99	15.81	17.60	19.34	21.04	22.69	24.29	25.85	27.35
6000	10.93	11.97	12.98	13.99	14.98	16.93	18.83	20.68	22.47	24.20	25.87	-	-	
7000	12.33	13.49	14.64	15.77	16.88	19.05	21.14	23.15	25.10	-	-	-	-	
8000	13.64	14.92	16.18	17.42	18.63	20.98	23.23	-	-	-	-	-	-	
9000	14.86	16.25	17.60	18.93	20.23	22.71	-	-	-	-	-	-	-	
10000	15.97	17.46	18.90	20.30	-	-	-	-	-	-	-	-	-	



**DISTRIBUIDOR AUTORIZADO** MEX (55) 53 63 23 31 MTY (81) 83 54 10 18  
 QRO (442) 1 95 72 60 ventas@industrialmagza.com



# Synchronous Plus Drive Horsepower Ratings 5M

## 25MM – WIDE

The following tables represent the horsepower ratings for each belt at the pre-determined No. of Teeth, Pitch Diameters and RPMs. These ratings must be multiplied by the applicable belt length factor to obtain corrected HP rating.

No Teeth PD (in.)	32 2.005	34 2.130	36 2.256	38 2.381	40 2.506	44 2.757	48 3.008	52 3.258	56 3.509	60 3.760	64 4.010	68 4.261	72 4.511
1160	4.94	5.39	5.83	6.26	6.70	7.56	8.43	9.28	10.13	10.97	11.80	12.63	13.46
1460	6.04	6.59	7.12	7.67	8.21	9.27	10.33	11.38	12.42	13.45	14.48	15.50	16.51
1750	7.06	7.71	8.35	8.98	9.62	10.88	12.12	13.36	14.58	15.79	17.00	18.19	19.37
2900	10.90	11.91	12.92	13.91	14.91	16.87	18.81	20.73	22.62	24.50	26.34	28.18	29.98
3500	12.77	13.97	15.15	16.33	17.50	19.81	22.08	24.32	26.54	28.72	30.87	32.99	35.08
10	0.07	0.07	0.08	0.08	0.09	0.10	0.11	0.12	0.13	0.14	0.15	0.16	0.18
20	0.13	0.14	0.15	0.16	0.17	0.19	0.21	0.23	0.25	0.27	0.29	0.31	0.33
40	0.24	0.26	0.28	0.30	0.32	0.36	0.40	0.44	0.48	0.51	0.55	0.59	0.63
60	0.35	0.38	0.41	0.43	0.47	0.52	0.58	0.63	0.69	0.75	0.80	0.86	0.91
100	0.56	0.60	0.65	0.70	0.74	0.83	0.93	1.01	1.10	1.19	1.28	1.37	1.45
200	1.04	1.13	1.22	1.30	1.39	1.56	1.74	1.90	2.07	2.25	2.42	2.58	2.74
300	1.49	1.62	1.75	1.88	2.00	2.26	2.50	2.75	3.00	3.24	3.49	3.73	3.98
400	1.93	2.10	2.27	2.43	2.59	2.93	3.24	3.57	3.90	4.21	4.53	4.85	5.16
500	2.35	2.56	2.76	2.96	3.16	3.57	3.97	4.36	4.76	5.16	5.55	5.93	6.31
600	2.77	3.01	3.25	3.49	3.73	4.21	4.68	5.15	5.62	6.07	6.53	6.99	7.45
800	3.56	3.88	4.20	4.50	4.82	5.44	6.06	6.66	7.26	7.86	8.46	9.06	9.65
1000	4.34	4.73	5.11	5.49	5.88	6.64	7.39	8.13	8.87	9.61	10.34	11.06	11.79
1250	5.27	5.75	6.22	6.69	7.16	8.08	9.01	9.92	10.83	11.73	12.62	13.51	14.39
2000	7.93	8.66	9.38	10.09	10.81	12.23	13.63	15.01	16.39	17.76	19.10	20.44	21.78
2500	9.60	10.49	11.37	12.25	13.12	14.85	16.55	18.24	19.91	21.56	23.19	24.82	26.42
3000	11.21	12.26	13.29	14.33	15.35	17.37	19.37	21.34	23.29	25.21	27.12	29.00	30.85
4000	14.28	15.62	16.95	18.28	19.58	22.16	24.70	27.21	29.67	32.08	34.46	36.80	39.08
4500	15.75	17.23	18.70	20.15	21.60	24.45	27.23	29.97	32.66	35.30	37.88	40.40	42.87
5000	17.17	18.79	20.39	21.98	23.55	26.64	29.67	32.64	35.54	38.37	41.13	43.81	46.43
5500	18.55	20.30	22.03	23.74	25.43	28.77	32.02	35.18	38.27	41.28	44.19	47.02	49.76
6000	19.88	21.77	23.62	25.45	27.26	30.81	34.27	37.62	40.88	44.03	47.07	-	-
7000	22.44	24.55	26.63	28.69	30.71	34.66	38.46	42.13	45.65	-	-	-	-
8000	24.82	27.15	29.44	31.69	33.90	38.16	42.25	-	-	-	-	-	-
9000	27.03	29.56	32.03	34.44	36.80	41.32	-	-	-	-	-	-	-
10000	29.07	31.76	34.38	36.93	-	-	-	-	-	-	-	-	-



# Synchronous Plus Drive Horsepower Ratings 8M

## 20MM WIDE

The following tables represent the horsepower ratings for each belt at the pre-determined No. of Teeth, Pitch Diameters and RPMs. These ratings must be multiplied by the applicable belt length factor to obtain corrected HP rating.


No Teeth PD (in.)	22 2.206	24 2.406	26 2.607	28 2.807	30 3.008	32 3.208	34 3.409	36 3.609	38 3.81	40 4.01	44 4.411	48 4.812	56 5.614	64 6.416	72.00 7.218	80.00 8.020
1160	4.13	4.71	5.28	5.84	6.39	6.92	7.45	7.97	8.48	8.99	9.98	10.94	12.80	14.57	16.28	17.92
1460	4.91	5.60	6.27	6.93	7.58	8.22	8.84	9.45	10.06	10.65	11.81	12.94	15.12	17.19	19.17	21.07
1750	5.62	6.40	7.17	7.93	8.66	9.39	10.10	10.79	11.48	12.15	13.47	14.74	17.19	19.52	21.74	23.87
2900	7.96	9.08	10.18	11.24	12.29	13.31	14.30	15.28	16.23	17.17	19.00	20.75	24.10	27.24	30.20	33.01
3500	8.77	10.05	11.29	12.50	13.68	14.82	15.95	17.04	18.12	19.17	21.21	23.17	26.89	30.36	-	-
10	0.12	0.13	0.14	0.15	0.16	0.17	0.18	0.20	0.21	0.22	0.24	0.26	0.29	0.33	0.37	0.41
20	0.20	0.22	0.24	0.26	0.27	0.29	0.31	0.33	0.35	0.37	0.41	0.44	0.51	0.58	0.65	0.72
40	0.33	0.36	0.40	0.44	0.47	0.51	0.54	0.58	0.61	0.64	0.71	0.78	0.91	1.03	1.16	1.28
60	0.45	0.50	0.55	0.60	0.65	0.70	0.75	0.80	0.84	0.89	0.99	1.08	1.26	1.44	1.62	1.79
100	0.66	0.74	0.82	0.89	0.97	1.05	1.12	1.20	1.27	1.35	1.49	1.63	1.91	2.19	2.45	2.71
200	1.11	1.26	1.40	1.54	1.67	1.81	1.94	2.08	2.21	2.34	2.59	2.85	3.34	3.81	4.28	4.74
300	1.51	1.71	1.91	2.10	2.29	2.48	2.67	2.85	3.03	3.21	3.57	3.91	4.59	5.25	5.89	6.51
400	1.87	2.12	2.37	2.62	2.86	3.09	3.33	3.56	3.79	4.01	4.46	4.89	5.74	6.56	7.36	8.13
500	2.21	2.51	2.81	3.10	3.39	3.67	3.95	4.22	4.50	4.76	5.29	5.81	6.82	7.79	8.73	9.64
600	2.53	2.88	3.22	3.56	3.89	4.21	4.54	4.85	5.17	5.48	6.08	6.68	7.83	8.94	10.02	11.06
800	3.13	3.57	4.00	4.42	4.83	5.24	5.64	6.03	6.42	6.81	7.56	8.30	9.72	11.09	12.42	13.69
1000	3.70	4.22	4.73	5.22	5.71	6.19	6.67	7.14	7.59	8.05	8.94	9.80	11.48	13.08	14.62	16.11
1200	4.24	4.84	5.42	5.99	6.55	7.10	7.64	8.18	8.70	9.22	10.23	11.22	13.12	14.94	16.68	18.36
1400	4.76	5.43	6.08	6.72	7.35	7.96	8.57	9.17	9.75	10.33	11.46	12.56	14.67	16.68	18.61	20.46
1600	5.26	5.99	6.71	7.42	8.11	8.79	9.46	10.11	10.75	11.39	12.63	13.83	16.14	18.34	20.44	22.45
1800	5.74	6.54	7.32	8.09	8.84	9.58	10.30	11.01	11.71	12.40	13.74	15.04	17.54	19.91	22.17	24.33
2000	6.19	7.06	7.91	8.73	9.54	10.34	11.12	11.88	12.63	13.37	14.81	16.20	18.87	21.40	23.81	26.10
2400	7.04	8.03	8.99	9.93	10.85	11.75	12.63	13.49	14.34	15.17	16.79	18.36	21.35	24.17	26.84	29.39
2800	7.79	8.89	9.96	11.00	12.02	13.01	13.99	14.94	15.88	16.79	18.58	20.30	23.58	26.66	29.57	32.33
3200	8.41	9.61	10.78	11.92	13.03	14.12	15.18	16.22	17.23	18.23	20.16	22.03	25.56	28.88	31.99	-
3600	8.87	10.17	11.44	12.67	13.87	15.04	16.18	17.29	18.39	19.46	21.53	23.52	27.29	30.81	-	-
4000	9.15	10.55	11.90	13.22	14.50	15.75	16.96	18.15	19.32	20.45	22.65	24.76	28.75	-	-	-
4400	9.23	10.71	12.15	13.54	14.90	16.22	17.51	18.77	19.99	21.19	23.51	25.73	29.91	-	-	-
4800	9.06	10.62	12.14	13.61	15.04	16.43	17.79	19.11	20.40	21.65	24.08	26.40	-	-	-	-
5200	8.62	10.26	11.85	13.40	14.90	16.35	17.77	19.15	20.49	21.80	24.33	-	-	-	-	-

Smallest Sprocket RPM

## 30MM WIDE

1160	6.53	7.45	8.35	9.23	10.09	10.94	11.77	12.60	13.40	14.20	15.76	17.29	20.22	23.03	25.72	28.31
1460	7.76	8.85	9.91	10.95	11.98	12.98	13.97	14.94	15.89	16.83	18.67	20.45	23.89	27.16	30.29	33.29
1750	8.88	10.12	11.33	12.52	13.69	14.83	15.95	17.05	18.13	19.20	21.28	23.30	27.17	30.84	34.35	37.71
2900	12.57	14.35	16.08	17.77	19.41	21.02	22.60	24.14	25.65	27.13	30.01	32.79	38.08	43.04	47.72	52.16
3500	13.86	15.87	17.84	19.75	21.61	23.42	25.20	26.93	28.63	30.29	33.51	36.61	42.48	47.96	-	-
10	0.19	0.21	0.23	0.24	0.26	0.28	0.29	0.31	0.32	0.34	0.37	0.40	0.47	0.53	0.59	0.65
20	0.31	0.34	0.37	0.40	0.43	0.46	0.49	0.52	0.55	0.58	0.64	0.70	0.81	0.92	1.03	1.14
40	0.52	0.58	0.63	0.69	0.74	0.80	0.85	0.91	0.96	1.02	1.12	1.23	1.43	1.63	1.83	2.02
60	0.70	0.79	0.87	0.95	1.03	1.10	1.18	1.26	1.33	1.41	1.56	1.71	2.00	2.28	2.55	2.83
100	1.04	1.17	1.29	1.41	1.54	1.66	1.78	1.89	2.01	2.13	2.36	2.58	3.02	3.45	3.88	4.29
200	1.76	1.99	2.21	2.43	2.64	2.86	3.07	3.28	3.49	3.69	4.10	4.50	5.27	6.03	6.76	7.48
300	2.39	2.70	3.01	3.32	3.62	3.92	4.21	4.50	4.79	5.07	5.63	6.18	7.26	8.30	9.30	10.29
400	2.96	3.36	3.75	4.13	4.51	4.89	5.26	5.62	5.98	6.34	7.04	7.73	9.07	10.37	11.63	12.85
500	3.49	3.97	4.43	4.90	5.35	5.80	6.24	6.67	7.10	7.53	8.36	9.18	10.77	12.31	13.79	15.23
600	4.00	4.55	5.09	5.62	6.14	6.66	7.17	7.67	8.16	8.65	9.61	10.55	12.37	14.13	15.83	17.48
800	4.95	5.64	6.32	6.98	7.63	8.28	8.91	9.53	10.15	10.76	11.95	13.11	15.37	17.53	19.62	21.63
1000	5.85	6.66	7.47	8.25	9.03	9.79	10.54	11.27	12.00	12.72	14.12	15.49	18.13	20.67	23.10	25.45
1200	6.70	7.64	8.56	9.46	10.35	11.22	12.07	12.92	13.75	14.56	16.16	17.72	20.73	23.60	26.35	29.00
1400	7.52	8.57	9.61	10.62	11.61	12.58	13.54	14.48	15.41	16.32	18.10	19.84	23.18	26.36	29.41	32.33
1600	8.31	9.47	10.61	11.72	12.82	13.89	14.94	15.97	16.99	17.99	19.95	21.85	25.50	28.97	32.29	35.47
1800	9.06	10.33	11.57	12.78	13.97	15.14	16.28	17.40	18.51	19.59	21.71	23.77	27.71	31.45	35.02	38.44
2000	9.79	11.16	12.49	13.80	15.08	16.33	17.56	18.77	19.95	21.12	23.39	25.60	29.81	33.81	37.61	41.25
2400	11.13	12.69	14.21	15.69	17.14	18.56	19.95	21.32	22.66	23.97	26.53	29.00	33.73	38.19	42.41	46.43
2800	12.31	14.04	15.73	17.38	18.99	20.56	22.10	23.61	25.09	26.54	29.36	32.08	37.25	42.12	46.72	51.08
3200	13.28	15.18	17.03	18.83	20.59	22.30	23.98	25.62	27.23	28.80	31.86	34.80	40.39	45.63	50.55	-
3600	14.02	16.07	18.07	20.01	21.91	23.76	25.56	27.33	29.05	30.74	34.02	37.16	43.12	48.69	-	-
4000	14.46	16.67	18.80	20.88	22.91	24.88	26.83	28.78	30.59	32.31	35.79	38.83	45.49	51.49	-	-
4400	14.58	16.92	19.19	21.40	23.54	25.63	27.69	29.75	31.49	33.16	37.24	40.33	47.29	53.79	-	-
4800	14.31	16.79	19.18	21.51	23.77	25.97	28.04	29.99	31.79	33.42	38.05	41.71	-	-	-	-
5200	13.61	16.21	18.73	21.17	23.54	25.84	28.08	30.26	32.38	34.45	38.44	-	-	-	-	-

Smallest Sprocket RPM


**DISTRIBUIDOR AUTORIZADO** MEX (55) 53 63 23 31 MTY (81) 83 54 10 18  
 QRO (442) 1 95 72 60 ventas@industrialmagza.com

# Synchronous Plus Drive Horsepower Ratings 8M

## 50MM WIDE

The following tables represent the horsepower ratings for each belt at the pre-determined No. of Teeth, Pitch Diameters and RPMs. These ratings must be multiplied by the applicable belt length factor to obtain corrected HP rating.

Smallest Sprocket RPM	No Teeth	28	30	32	34	36	38	40	44	48	56	64	72.00	80.00
	PD (in.)	2.807	3.008	3.208	3.409	3.609	3.81	4.010	4.411	4.812	5.614	6.416	7.218	8.020
1160	16.00	17.49	18.97	20.42	21.84	23.24	24.63	27.34	29.97	35.06	39.93	44.60	49.10	
1460	18.99	20.77	22.51	24.22	25.90	27.55	29.18	32.37	35.46	41.42	47.09	52.52	57.73	
1750	21.71	23.73	25.71	27.66	29.57	31.44	33.29	36.90	40.39	47.11	53.48	59.57	65.39	
2900	30.81	33.66	36.45	39.18	41.86	44.48	47.05	52.04	56.86	66.02	74.63	82.75	90.44	
3500	34.24	37.47	40.62	43.69	46.70	49.64	52.52	58.11	63.48	73.66	83.17	-	-	
10	0.42	0.45	0.48	0.51	0.53	0.56	0.59	0.65	0.70	0.81	0.91	1.02	1.12	
20	0.70	0.75	0.81	0.86	0.91	0.96	1.01	1.11	1.21	1.41	1.60	1.79	1.98	
40	1.19	1.29	1.39	1.48	1.58	1.67	1.76	1.95	2.13	2.48	2.83	3.17	3.51	
60	1.64	1.78	1.91	2.05	2.18	2.31	2.44	2.70	2.96	3.46	3.95	4.43	4.90	
100	2.45	2.66	2.87	3.08	3.28	3.49	3.69	4.08	4.48	5.24	5.99	6.72	7.44	
200	4.21	4.58	4.96	5.32	5.69	6.05	6.40	7.10	7.79	9.14	10.45	11.73	12.97	
300	5.75	6.28	6.79	7.30	7.81	8.30	8.80	9.77	10.72	12.58	14.38	16.13	17.84	
400	7.17	7.82	8.47	9.12	9.75	10.38	11.00	12.22	13.41	15.73	17.98	20.16	22.28	
500	8.49	9.27	10.05	10.82	11.57	12.32	13.05	14.50	15.92	18.68	21.34	23.91	26.41	
600	9.74	10.65	11.54	12.43	13.30	14.15	15.00	16.67	18.30	21.46	24.50	27.45	30.30	
800	12.10	13.24	14.35	15.45	16.53	17.60	18.65	20.72	22.74	26.64	30.40	34.01	37.51	
1000	14.31	15.65	16.97	18.27	19.55	20.81	22.05	24.48	26.86	31.44	35.84	40.06	44.14	
1200	16.41	17.94	19.45	20.94	22.40	23.84	25.25	28.03	30.73	35.94	40.92	45.70	50.29	
1400	18.41	20.13	21.82	23.48	25.11	26.72	28.30	31.39	34.40	40.19	45.71	50.99	56.07	
1600	20.33	22.22	24.08	25.91	27.70	29.46	31.20	34.59	37.89	44.22	50.24	55.99	61.51	
1800	22.17	24.23	26.25	28.23	30.18	32.09	33.97	37.65	41.21	48.05	54.54	60.73	66.65	
2000	23.93	26.15	28.32	30.45	32.55	34.60	36.62	40.56	44.38	51.70	58.63	65.22	71.52	
2400	27.21	29.72	32.19	34.60	36.96	39.28	41.56	46.00	50.29	58.48	66.21	73.54	80.51	
2800	30.13	32.93	35.65	38.32	40.94	43.50	46.01	50.90	55.62	64.60	73.04	81.01	88.57	
3200	32.65	35.70	38.68	41.58	44.43	47.22	49.94	55.25	60.35	70.04	79.12	87.66	-	
3600	34.70	37.99	41.19	44.32	47.38	50.38	53.30	58.98	64.44	74.78	84.42	-	-	
4000	36.21	39.72	43.14	46.48	49.74	52.92	56.03	62.06	67.85	78.76	-	-	-	
4400	37.10	40.82	44.45	47.98	51.42	54.78	58.06	64.42	70.50	81.95	-	-	-	
4800	37.30	41.22	45.03	48.74	52.36	55.88	59.33	65.97	72.33	-	-	-	-	
5200	36.71	40.82	44.81	48.69	52.47	56.15	59.74	66.66	-	-	-	-	-	

## 85MM WIDE

1160				35.54	38.02	40.47	42.88	47.59	52.19	61.04	69.51	77.64	85.47
1460				42.16	45.09	47.97	50.81	56.35	61.74	72.11	81.99	91.44	100.51
1750				48.15	51.48	54.75	57.96	64.24	70.33	82.01	93.12	103.71	113.84
2900				68.22	72.88	77.44	81.91	90.61	98.99	114.95	129.93	144.07	157.45
3500				76.07	81.30	86.42	91.44	101.17	110.52	128.24	144.80	-	-
10				0.88	0.93	0.98	1.03	1.12	1.22	1.41	1.59	1.77	1.95
20				1.49	1.58	1.67	1.76	1.94	2.11	2.45	2.79	3.12	3.44
40				2.58	2.74	2.91	3.07	3.39	3.70	4.32	4.93	5.52	6.11
60				3.57	3.80	4.03	4.26	4.71	5.15	6.02	6.88	7.71	8.53
100				5.36	5.72	6.07	6.42	7.11	7.79	9.13	10.43	11.70	12.95
200				9.27	9.90	10.53	11.15	12.37	13.57	15.92	18.20	20.42	22.59
300				12.71	13.59	14.46	15.32	17.01	18.67	21.91	25.04	28.09	31.06
400				15.87	16.98	18.07	19.14	21.27	23.35	27.39	31.31	35.10	38.79
500				18.83	20.14	21.44	22.73	25.25	27.72	32.52	37.15	41.63	45.99
600				21.63	23.15	24.64	26.12	29.02	31.85	37.36	42.66	47.79	52.76
800				26.90	28.78	30.64	32.47	36.07	39.58	46.39	52.92	59.22	65.31
1000				31.81	34.03	36.23	38.39	42.63	46.76	54.74	62.39	69.74	76.84
1200				36.45	39.00	41.50	43.97	48.80	53.50	62.57	71.24	79.56	87.56
1400				40.88	43.72	46.51	49.27	54.65	59.89	69.97	79.57	88.77	97.61
1600				45.10	48.23	51.30	54.32	60.22	65.96	76.98	87.46	97.48	107.08
1800				49.15	52.54	55.87	59.15	65.54	71.75	83.65	94.95	105.73	116.03
2000				53.02	56.66	60.24	63.76	70.62	77.27	90.01	102.07	113.55	124.52
2400				60.24	64.36	68.39	72.36	80.09	87.56	101.82	115.28	128.04	140.17
2800				66.72	71.27	75.74	80.11	88.62	96.84	112.47	127.16	141.04	154.20
3200				72.40	77.35	82.20	86.95	96.18	105.07	121.94	137.74	152.61	-
3600				77.17	82.49	87.70	92.80	102.69	112.20	130.19	146.98	-	-
4000				80.92	86.59	92.26	97.55	108.05	118.15	137.13	-	-	-
4400				83.53	89.52	95.51	101.20	112.40	123.10	-	-	-	-
4800				84.85	91.15	97.45	103.29	114.86	125.93	-	-	-	-
5200				84.76	91.34	97.75	104.01	116.06	-	-	-	-	-



DISTRIBUIDOR MEX (55) 53 63 23 31 MTY (81) 83 54 10 18  
 AUTORIZADO QRO (442) 1 95 72 60 ventas@industrialmagza.com



# Synchronous Plus Drive Horsepower Ratings 14M

## 40MM WIDE

The following tables represent the horsepower ratings for each belt at the pre-determined No. of Teeth, Pitch Diameters and RPMs. These ratings must be multiplied by the applicable belt length factor to obtain corrected HP rating.

No Teeth	28	29	30	32	34	36	38	40	44	48	52	56	60	64	68	72	80
PD (in.)	4.913	5.088	5.263	5.614	5.965	6.316	6.667	7.018	7.720	8.421	9.123	9.825	10.527	11.229	11.930	12.632	14.036
1160	27.79	29.33	30.85	33.84	36.76	39.62	42.41	45.15	50.46	55.58	60.51	65.27	69.87	74.33	78.65	82.84	90.85
1460	33.05	34.83	36.59	40.03	43.40	46.68	49.88	53.01	59.07	64.88	70.45	75.81	80.97	85.94	90.73	95.37	104.17
1750	37.88	39.87	41.83	45.66	49.40	53.03	56.57	60.03	66.69	73.05	79.12	84.94	90.52	95.87	101.01	105.95	115.29
2900	52.52	55.12	57.68	62.64	67.44	72.06	76.54	80.86	89.10	96.82	-	-	-	-	-	-	-
3500	55.00	57.82	60.59	65.95	71.10	76.06	80.82	85.41	-	-	-	-	-	-	-	-	-
10	0.52	0.52	0.52	0.52	0.52	0.53	0.53	0.55	0.57	0.60	0.64	0.68	0.73	0.78	0.83	0.88	1.00
20	1.13	1.16	1.19	1.25	1.31	1.38	1.44	1.51	1.65	1.79	1.94	2.09	2.24	2.40	2.55	2.71	3.03
40	2.18	2.26	2.34	2.50	2.67	2.84	3.01	3.17	3.51	3.85	4.19	4.53	4.87	5.20	5.54	5.88	6.54
60	3.08	3.21	3.34	3.60	3.86	4.12	4.38	4.64	5.16	5.67	6.18	6.69	7.19	7.69	8.19	8.68	9.66
100	4.66	4.88	5.10	5.53	5.96	6.38	6.81	7.23	8.06	8.89	9.71	10.51	11.31	12.10	12.88	13.65	15.18
200	7.89	8.29	8.70	9.50	10.29	11.07	11.85	12.61	14.12	15.61	17.07	18.50	19.91	21.30	22.67	24.02	26.67
400	12.96	13.68	14.38	15.78	17.16	18.52	19.87	21.19	23.78	26.31	28.79	31.20	33.57	35.89	38.16	40.39	44.74
600	17.24	18.22	19.18	21.08	22.94	24.78	26.58	28.35	31.83	35.20	38.48	41.67	44.79	47.83	50.80	53.71	59.34
800	21.17	22.36	23.55	25.87	28.16	30.40	32.60	34.76	38.97	43.05	47.01	50.85	54.58	58.21	61.75	65.20	71.84
1000	24.90	26.29	27.67	30.38	33.04	35.63	38.18	40.68	45.53	50.22	54.75	59.13	63.38	67.50	71.51	75.40	82.87
1200	28.51	30.08	31.63	34.69	37.67	40.59	43.44	46.23	51.66	56.87	61.90	66.74	71.43	75.96	80.35	84.61	92.74
1400	32.01	33.75	35.46	38.82	42.10	45.31	48.43	51.49	57.41	63.09	68.54	73.79	78.85	83.73	88.44	92.99	101.66
1600	35.41	37.30	39.16	42.80	46.35	49.81	53.18	56.47	62.84	68.92	74.75	80.34	85.71	90.88	95.86	100.65	109.74
1800	38.68	40.70	42.70	46.59	50.39	54.08	57.67	61.18	67.93	74.37	80.53	86.41	92.05	97.46	102.65	107.64	-
2000	41.79	43.94	46.05	50.18	54.20	58.10	61.89	65.59	72.69	79.45	85.88	92.02	97.88	103.48	108.85	-	-
2400	47.34	49.71	52.04	56.58	60.98	65.25	69.38	73.40	81.09	88.36	95.24	101.76	-	-	-	-	-
2800	51.68	54.24	56.75	61.64	66.36	70.92	75.34	79.61	87.75	95.40	-	-	-	-	-	-	-
3200	54.36	57.08	59.75	64.92	69.91	74.72	79.35	83.82	92.30	-	-	-	-	-	-	-	-
3600	54.91	57.76	60.56	65.98	71.18	76.18	80.98	-	-	-	-	-	-	-	-	-	-
4000	52.82	55.79	58.70	64.31	69.69	-	-	-	-	-	-	-	-	-	-	-	-

## 55MM WIDE

1160	40.02	42.24	44.43	48.73	52.93	57.05	61.07	65.01	72.67	80.03	87.13	93.99	100.62	107.04	113.26	119.29	130.82
1460	47.59	50.15	52.68	57.65	62.49	67.22	71.83	76.34	85.07	93.42	101.45	109.17	116.59	123.75	130.66	137.33	150.00
1750	54.55	57.41	60.23	65.76	71.13	76.36	81.47	86.44	96.03	105.19	113.94	122.31	130.35	138.05	145.46	152.57	166.01
2900	75.63	79.38	83.05	90.21	97.11	103.77	110.21	116.44	128.30	139.43	-	-	-	-	-	-	-
3500	79.20	83.26	87.25	94.97	102.39	109.52	116.38	122.99	-	-	-	-	-	-	-	-	-
10	0.75	0.75	0.74	0.74	0.75	0.76	0.77	0.78	0.82	0.87	0.92	0.98	1.05	1.12	1.19	1.27	1.44
20	1.63	1.67	1.71	1.80	1.89	1.98	2.08	2.17	2.37	2.58	2.79	3.01	3.23	3.45	3.68	3.90	4.36
40	3.13	3.25	3.37	3.61	3.85	4.09	4.33	4.57	5.06	5.54	6.03	6.52	7.01	7.49	7.98	8.46	9.42
60	4.44	4.63	4.81	5.19	5.56	5.94	6.31	6.68	7.42	8.16	8.90	9.63	10.35	11.07	11.79	12.50	13.91
100	6.71	7.02	7.34	7.96	8.58	9.19	9.80	10.41	11.61	12.80	13.98	15.14	16.29	17.42	18.55	19.66	21.86
200	11.36	11.94	12.52	13.67	14.81	15.94	17.06	18.16	20.34	22.48	24.58	26.64	28.68	30.68	32.65	34.59	38.40
400	18.66	19.69	20.71	22.73	24.72	26.68	28.61	30.51	34.25	37.89	41.45	44.93	48.34	51.68	54.95	58.17	64.42
600	24.83	26.23	27.62	30.35	33.04	35.68	38.27	40.83	45.83	50.68	55.41	60.01	64.49	68.87	73.15	77.34	85.45
800	30.48	32.20	33.91	37.26	40.55	43.78	46.94	50.06	56.12	62.00	67.69	73.22	78.59	83.82	88.92	93.88	103.46
1000	35.85	37.86	39.85	43.75	47.57	51.31	54.98	58.58	65.57	72.32	78.84	85.15	91.27	97.21	102.97	108.57	119.33
1200	41.05	43.32	45.55	49.95	54.24	58.44	62.55	66.58	74.38	81.89	89.13	96.11	102.86	109.39	115.71	121.84	133.55
1400	46.10	48.60	51.07	55.91	60.63	65.24	69.74	74.15	82.67	90.85	98.70	106.26	113.55	120.57	127.36	133.91	146.39
1600	51.00	53.71	56.39	61.63	66.74	71.72	76.58	81.32	90.48	99.24	107.64	115.69	123.43	130.87	138.04	144.94	158.02
1800	55.70	58.61	61.48	67.10	72.56	77.87	83.05	88.09	97.82	107.10	115.96	124.44	132.56	140.35	147.82	155.00	-
2000	60.18	63.27	66.31	72.26	78.04	83.66	89.12	94.44	104.67	114.40	123.67	132.51	140.95	149.02	156.74	-	-
2400	68.17	71.58	74.94	81.48	87.82	93.96	99.91	105.70	116.77	127.23	137.14	146.54	-	-	-	-	-
2800	74.42	78.10	81.72	88.76	95.56	102.13	108.48	114.63	126.36	137.37	-	-	-	-	-	-	-
3200	78.28	82.20	86.03	93.49	100.67	107.59	114.26	120.70	132.91	-	-	-	-	-	-	-	-
3600	79.07	83.18	87.21	95.01	102.50	109.69	116.6	-	-	-	-	-	-	-	-	-	-
4000	76.07	80.34	84.52	92.61	100.35	-	-	-	-	-	-	-	-	-	-	-	-



DISTRIBUIDOR AUTORIZADO

MEX (55) 53 63 23 31 QRO (442) 1 95 72 60 MTY (81) 83 54 10 18 ventas@industrialmagza.com

DRIVES WITHIN SHADED AREA MAY GENERATE OBJECTIONABLE NOISE LEVELS UNLESS ACOUSTICALLY GUARDED





# Synchronous Plus Drive Horsepower Ratings 14M

## 85MM WIDE

The following tables represent the horsepower ratings for each belt at the pre-determined No. of Teeth, Pitch Diameters and RPMs. These ratings must be multiplied by the applicable belt length factor to obtain corrected HP rating.

No Teeth PD (in.)	28	29	30	32	34	36	38	40	44	48	52	56	60	64	68	72	80
	4.913	5.088	5.263	5.614	5.965	6.316	6.667	7.018	7.720	8.421	9.123	9.825	10.527	11.229	11.930	12.632	14.036
1160	64.48	68.05	71.58	78.51	85.28	91.91	98.39	104.74	117.07	128.94	140.38	151.43	162.11	172.45	182.47	192.18	210.77
1460	76.67	80.80	84.88	92.88	100.68	108.29	115.73	122.99	137.05	150.52	163.45	175.88	187.84	199.38	210.50	221.25	241.67
1750	87.88	92.49	97.04	105.94	114.60	123.03	131.25	139.26	154.72	169.47	183.56	197.06	210.00	222.42	234.35	245.81	267.47
2900	121.85	127.89	133.81	145.33	156.45	167.19	177.57	187.60	206.71	224.63	-	-	-	-	-	-	-
3500	127.60	134.15	140.56	153.01	164.96	176.45	187.50	198.14	-	-	-	-	-	-	-	-	-
10	1.21	1.20	1.20	1.20	1.21	1.22	1.24	1.26	1.33	1.40	1.49	1.58	1.69	1.80	1.92	2.05	2.32
20	2.63	2.70	2.76	2.90	3.05	3.19	3.35	3.50	3.83	4.16	4.50	4.85	5.20	5.56	5.92	6.29	7.02
40	5.05	5.24	5.43	5.81	6.20	6.58	6.97	7.36	8.15	8.93	9.72	10.50	11.29	12.07	12.85	13.63	15.18
60	7.15	7.45	7.75	8.36	8.96	9.56	10.16	10.76	11.96	13.15	14.33	15.51	16.68	17.84	18.99	20.14	22.41
100	10.81	11.32	11.82	12.82	13.82	14.81	15.79	16.77	18.71	20.62	22.52	24.39	26.24	28.07	29.88	31.68	35.21
200	18.30	19.24	20.17	22.03	23.87	25.68	27.48	29.26	32.77	36.21	39.60	42.93	46.20	49.43	52.60	55.73	61.87
400	30.07	31.73	33.37	36.62	39.82	42.98	46.09	49.16	55.17	61.05	66.78	72.39	77.88	83.26	88.53	93.71	103.79
600	40.01	42.26	44.49	48.90	53.22	57.48	61.66	65.78	73.83	81.66	89.27	96.68	103.91	110.96	117.86	124.60	137.66
800	49.11	51.88	54.63	60.03	65.33	70.53	75.63	80.65	90.42	99.88	109.06	117.96	126.62	135.05	143.25	151.25	166.68
1000	57.76	61.00	64.20	70.49	76.64	82.67	88.58	94.37	105.64	116.51	127.02	137.19	147.05	156.61	165.90	174.93	192.26
1200	66.14	69.79	73.39	80.47	87.39	94.16	100.78	107.26	119.84	131.94	143.60	154.85	165.72	176.24	186.42	196.29	215.16
1400	74.27	78.30	82.27	90.07	97.68	105.11	112.37	119.46	133.20	146.37	159.02	171.20	182.94	194.26	205.19	215.75	235.85
1600	82.16	86.53	90.84	99.29	107.52	115.55	123.38	131.02	145.78	159.89	173.42	186.39	198.86	210.85	222.39	233.52	254.59
1800	89.74	94.43	99.05	108.10	116.89	125.46	133.80	141.93	157.60	172.55	186.82	200.48	213.57	226.11	238.16	249.73	-
2000	96.95	101.93	106.83	116.42	125.73	134.78	143.59	152.16	168.64	184.31	199.24	213.48	227.08	240.08	252.53	-	-
2400	109.83	115.33	120.73	131.27	141.48	151.38	160.97	170.29	188.13	204.99	220.95	236.09	-	-	-	-	-
2800	119.90	125.83	131.66	143.00	153.96	164.54	174.78	184.69	203.57	221.32	-	-	-	-	-	-	-
3200	126.12	132.43	138.61	150.63	162.19	173.34	184.09	194.46	214.13	-	-	-	-	-	-	-	-
3600	127.39	134.01	140.50	153.07	165.14	176.73	187.87	-	-	-	-	-	-	-	-	-	-
4000	122.55	129.44	136.18	149.20	161.67	-	-	-	-	-	-	-	-	-	-	-	-

Smallest Sprocket RPM

## 115MM WIDE

1160	89.22	94.16	99.04	108.63	118.00	127.16	136.14	144.93	161.98	178.40	194.23	209.52	224.30	238.60	252.47	265.91	291.63
1460	106.08	111.80	117.44	128.51	139.31	149.84	160.12	170.18	189.62	208.26	226.15	243.35	259.90	275.86	291.26	306.12	334.38
1750	121.59	127.97	134.26	146.58	158.56	170.23	181.60	192.69	214.07	234.48	253.98	272.66	290.56	307.74	324.25	340.11	370.07
2900	168.60	176.95	185.14	201.09	216.47	231.33	245.68	259.57	286.01	310.81	-	-	-	-	-	-	-
3500	176.55	185.61	194.49	211.70	228.24	244.14	259.43	274.15	-	-	-	-	-	-	-	-	-
10	1.67	1.66	1.66	1.66	1.67	1.69	1.72	1.75	1.83	1.94	2.06	2.19	2.34	2.50	2.66	2.84	3.21
20	3.64	3.73	3.82	4.01	4.21	4.42	4.63	4.85	5.29	5.75	6.23	6.71	7.20	7.69	8.19	8.70	9.72
40	6.98	7.25	7.51	8.04	8.57	9.11	9.65	10.19	11.27	12.36	13.45	14.53	15.62	16.70	17.78	18.86	21.01
60	9.89	10.31	10.73	11.56	12.40	13.23	14.06	14.89	16.55	18.20	19.83	21.46	23.08	24.68	26.28	27.87	31.00
100	14.96	15.66	16.36	17.74	19.12	20.49	21.85	23.20	25.88	28.53	31.15	33.74	36.30	38.84	41.35	43.83	48.72
200	25.32	26.62	27.91	30.48	33.02	35.54	38.02	40.49	45.34	50.11	54.79	59.39	63.93	68.39	72.78	77.12	85.61
400	41.61	43.90	46.17	50.67	55.10	59.46	63.77	68.01	76.34	84.46	92.40	100.16	107.76	115.20	122.50	129.66	143.60
600	55.35	58.47	61.56	67.66	73.64	79.53	85.32	91.02	102.16	112.98	123.51	133.77	143.77	153.53	163.07	172.40	190.47
800	67.95	71.78	75.58	83.06	90.39	97.58	104.65	111.58	125.11	138.20	150.89	163.22	175.20	186.85	198.21	209.28	230.62
1000	79.92	84.40	88.82	97.53	106.04	114.38	122.56	130.58	146.17	161.21	175.75	189.82	203.46	216.69	229.54	242.03	266.01
1200	91.51	96.56	101.55	111.35	120.92	130.28	139.44	148.41	165.81	182.55	198.68	214.25	229.29	243.85	257.94	271.60	297.71
1400	102.76	108.34	113.84	124.63	135.15	145.43	155.47	165.29	184.29	202.52	220.03	236.88	253.11	268.78	283.90	298.51	326.33
1600	113.68	119.73	125.69	137.38	148.77	159.87	170.70	181.28	201.70	221.23	239.94	257.90	275.14	291.73	307.71	323.10	352.26
1800	124.17	130.66	137.05	149.57	161.74	173.59	185.13	196.38	218.06	238.74	258.49	277.39	295.49	312.85	329.52	345.53	-
2000	134.14	141.03	147.82	161.08	173.97	186.49	198.67	210.53	233.34	255.02	275.68	295.38	314.19	332.19	349.40	-	-
2400	151.97	159.57	167.04	181.63	195.76	209.45	222.73	235.61	260.30	283.63	305.72	326.66	-	-	-	-	-
2800	165.89	174.10	182.16	197.86	213.02	227.66	241.83	255.54	281.67	306.22	-	-	-	-	-	-	-
3200	174.50	183.23	191.78	208.41	224.41	239.84	254.71	269.05	296.28	-	-	-	-	-	-	-	-
3600	176.26	185.42	194.40	211.79	228.49	244.53	259.92	275.73	303.14	-	-	-	-	-	-	-	-
4000	169.56	179.10	188.42	206.44	223.69	-	-	-	-	-	-	-	-	-	-	-	-



DISTRIBUIDOR AUTORIZADO

MEX (55) 53 63 23 31 QRO (442)-1 95 72 60 MTY (81) 83 54 10 18 ventas@industrialmagza.com

DRIVES WITHIN SHADED AREA MAY GENERATE OBJECTIONABLE NOISE LEVELS UNLESS ACOUSTICALLY GUARDED



# Synchronous Plus Drive Horsepower Ratings 14M

## 170MM WIDE

The following tables represent the horsepower ratings for each belt at the pre-determined No. of Teeth, Pitch Diameters and RPMs. These ratings must be multiplied by the applicable belt length factor to obtain corrected HP rating.

Smallest Sprocket RPM	No. Teeth	36	38	40	44	48	52	56	60	64	68	72	80
	PD (in.)	6.316	6.667	7.018	7.720	8.421	9.123	9.825	10.527	11.229	11.930	12.632	14.036
1160	190.95	204.42	217.61	243.23	267.88	291.65	314.60	336.80	358.28	379.09	399.28	437.90	
1460	224.99	240.44	255.53	284.73	312.71	339.57	365.40	390.26	414.22	437.34	459.66	502.09	
1750	255.61	272.68	289.33	321.44	352.08	381.37	409.41	436.29	462.09	486.88	510.70	555.68	
2900	347.35	368.91	389.76	429.46	466.70	-	-	-	-	-	-	-	
3500	366.59	389.55	411.66	-	-	-	-	-	-	-	-	-	
10	2.54	2.58	2.63	2.75	2.91	3.09	3.29	3.51	3.75	4.00	4.26	4.82	
20	6.64	6.95	7.28	7.95	8.64	9.35	10.07	10.81	11.55	12.30	13.06	14.59	
40	13.68	14.49	15.30	16.93	18.56	20.19	21.82	23.45	25.08	26.70	28.32	31.55	
60	19.87	21.12	22.36	24.85	27.32	29.78	32.22	34.65	37.06	39.46	41.84	46.55	
100	30.77	32.81	34.84	38.87	42.85	46.78	50.67	54.51	58.32	62.08	65.81	73.15	
200	53.36	57.09	60.79	68.08	75.24	82.27	89.18	95.99	102.69	109.29	115.79	128.54	
400	89.29	95.75	102.13	114.63	126.83	138.74	150.40	161.80	172.98	183.94	194.69	215.63	
600	119.42	128.11	136.67	153.40	169.65	185.46	200.86	215.88	230.54	244.86	258.87	286.01	
800	146.53	157.13	167.55	187.86	207.51	226.57	245.08	263.07	280.57	297.62	314.24	346.29	
1000	171.75	184.03	196.07	219.48	242.06	263.89	285.02	305.50	325.37	344.67	363.42	399.43	
1200	195.63	209.38	222.85	248.98	274.12	298.34	321.71	344.30	366.15	387.31	407.82	447.02	
1400	218.37	233.45	248.19	276.72	304.09	330.39	355.69	380.07	403.58	426.29	448.24	490.00	
1600	240.06	256.32	272.20	302.87	332.19	360.29	387.25	413.15	438.06	462.04	485.15	528.93	
1800	260.65	277.98	294.87	327.43	358.48	388.14	416.52	443.70	469.77	494.79	518.83	-	
2000	280.03	298.32	316.12	350.37	382.93	413.94	443.53	471.78	498.80	524.64	-	-	
2400	314.50	334.43	353.79	390.85	425.88	459.05	490.50	-	-	-	-	-	
2800	341.85	363.12	383.70	422.94	459.81	-	-	-	-	-	-	-	
3200	360.13	382.46	404.00	444.88	-	-	-	-	-	-	-	-	
3600	367.17	390.32	-	-	-	-	-	-	-	-	-	-	

DRIVES WITHIN SHADED AREA MAY GENERATE OBJECTIONABLE NOISE LEVELS UNLESS ACOUSTICALLY GUARDED



**DISTRIBUIDOR  
AUTORIZADO**

MEX (55) 53 63 23 31 MTY (81) 83 54 10 18  
QRO (442) 1 95 72 60 ventas@industrialmagza.com



# Synchronous Plus Drive Horsepower Ratings 20M

## 115MM WIDE

The following tables represent the horsepower ratings for each belt at the pre-determined No. of Teeth, Pitch Diameters and RPMs. These ratings must be multiplied by the applicable belt length factor to obtain corrected HP rating.

Smallest Sprocket RPM	No. Teeth	34	36	38	40	44	48	52	56	60	64	68	72	80	90
	PD (in.)	8.522	9.023	9.524	10.026	11.028	12.031	13.033	14.036	15.038	16.041	17.043	18.046	20.051	22.557
870	176.31	189.07	201.57	213.80	237.50	260.16	273.10	286.07	298.03	308.95	318.84	327.67	342.13	354.14	
960	188.63	202.14	215.33	228.19	252.95	276.44	289.67	302.43	313.94	324.18	333.13	340.79	352.17	358.95	
1160	214.38	229.17	243.48	257.32	283.58	307.97	321.42	332.58	341.86	349.25	354.72	358.26	359.51	-	
1460	249.24	265.02	280.04	294.32	320.69	344.20	353.88	359.64	362.35	361.98	358.51	-	-	-	
1750	276.59	292.31	306.98	320.63	344.91	365.30	358.62	355.69	-	-	-	-	-	-	
10	2.87	2.93	3.03	3.16	3.52	3.99	4.19	4.54	4.88	5.19	5.48	5.74	6.20	6.64	
20	5.59	5.85	6.13	6.45	7.17	8.02	8.62	9.21	9.78	10.33	10.86	11.36	12.31	13.36	
40	11.18	11.82	12.48	13.18	14.66	16.27	17.72	18.81	19.88	20.93	21.96	22.97	24.93	27.26	
60	16.80	17.81	18.86	19.94	22.20	24.57	26.87	28.47	30.05	31.61	33.15	34.67	37.66	41.26	
100	27.87	29.65	31.47	33.31	37.10	41.00	44.88	47.50	50.10	52.68	55.23	57.77	62.76	68.86	
200	53.93	57.58	61.25	64.94	72.39	79.92	86.98	92.04	97.05	102.02	106.93	111.80	121.35	132.97	
300	77.44	82.84	88.24	93.65	104.48	115.30	124.51	131.74	138.87	145.89	152.80	159.60	172.85	188.73	
400	98.60	105.62	112.62	119.59	133.46	147.22	157.79	166.87	175.77	184.47	192.96	201.26	217.22	235.96	
500	117.75	126.25	134.69	143.07	159.64	175.96	187.38	197.97	208.26	218.23	227.87	237.19	254.84	274.98	
600	135.21	145.05	154.79	164.42	183.36	201.88	213.84	225.58	236.86	247.68	258.02	267.88	286.15	306.18	
700	151.31	162.35	173.23	183.96	204.94	225.29	237.64	250.16	262.04	273.28	283.85	293.76	311.56	329.95	
800	166.33	178.42	190.31	201.97	224.66	246.49	259.19	272.12	284.19	295.39	305.73	315.18	331.41	346.60	
900	180.48	193.50	206.24	218.70	242.78	265.74	278.78	291.72	303.56	314.30	323.92	332.40	345.94	356.35	
1000	193.95	207.76	221.21	234.32	259.47	283.24	296.58	309.15	320.34	330.16	338.57	345.57	355.30	359.34	
1100	206.87	221.33	235.36	248.96	274.90	299.15	312.64	324.45	334.57	343.01	349.73	354.73	359.50	355.55	
1200	219.29	234.28	248.76	262.72	289.13	313.56	326.90	337.55	346.18	352.77	357.31	359.78	358.45	-	
1400	242.67	258.34	273.31	287.59	314.13	338.02	349.17	356.30	360.64	362.15	360.83	-	-	-	
1600	263.51	279.37	294.35	308.44	334.06	356.32	360.39	362.38	360.68	-	-	-	-	-	
1800	280.29	295.90	310.42	323.86	347.58	367.23	355.56	-	-	-	-	-	-	-	
2000	290.57	305.51	319.14	331.49	352.44	368.60	-	-	-	-	-	-	-	-	

## 170MM WIDE

870	272.08	291.77	311.06	329.94	366.51	401.48	421.44	441.47	459.92	476.78	492.03	505.66	527.98	546.51
960	291.10	311.95	332.30	352.15	390.36	426.61	447.01	466.71	484.47	500.27	514.09	525.90	543.48	553.94
1160	330.83	353.66	375.75	397.10	437.62	475.26	496.02	513.24	527.57	538.96	547.40	552.87	554.79	-
1460	384.63	408.97	432.16	454.19	494.89	531.17	546.11	555.01	559.18	558.61	553.25	-	-	-
1750	426.83	451.09	473.73	494.79	532.26	563.73	553.43	548.90	-	-	-	-	-	-
10	4.42	4.53	4.68	4.88	5.43	6.16	6.46	7.01	7.53	8.01	8.45	8.86	9.57	10.25
20	8.63	9.02	9.46	9.95	11.06	12.37	13.30	14.21	15.09	15.94	16.75	17.53	18.99	20.62
40	17.26	18.23	19.26	20.33	22.62	25.11	27.35	29.03	30.68	32.30	33.89	35.45	38.47	42.06
60	25.92	27.49	29.11	30.77	34.25	37.92	41.46	43.93	46.37	48.78	51.16	53.51	58.11	63.67
100	43.01	45.76	48.56	51.41	57.25	63.27	69.25	73.30	77.31	81.29	85.24	89.15	96.85	106.26
200	83.22	88.85	94.52	100.22	111.72	123.34	134.23	142.04	149.78	157.44	165.02	172.52	187.27	205.21
300	119.51	127.84	136.18	144.53	161.23	177.93	192.14	203.30	214.30	225.14	235.80	246.30	266.74	291.25
400	152.17	163.00	173.79	184.55	205.95	227.18	243.50	257.52	271.25	284.67	297.78	310.58	335.21	364.14
500	181.71	194.83	207.85	220.78	246.36	271.54	289.17	305.52	321.38	336.77	351.66	366.04	393.27	424.35
600	208.66	223.84	238.87	253.73	282.96	311.54	329.99	348.11	365.52	382.22	398.18	413.40	441.58	472.50
700	233.51	250.54	267.33	283.89	316.26	347.67	366.73	386.05	404.39	421.72	438.04	453.33	480.80	509.18
800	256.67	275.34	293.68	311.69	346.70	380.39	399.99	419.93	438.56	455.85	471.80	486.39	511.43	534.87
900	278.52	298.61	318.27	337.49	374.65	410.10	430.21	450.18	468.46	485.03	499.87	512.97	533.86	549.93
1000	299.31	320.61	341.38	361.60	400.42	437.10	457.68	477.07	494.36	509.50	522.48	533.29	548.30	554.53
1100	319.24	341.55	363.21	384.20	424.22	461.65	482.46	500.69	516.32	529.33	539.70	547.42	554.78	548.69
1200	338.41	361.54	383.88	405.43	446.19	483.89	504.48	520.91	534.23	544.40	551.41	555.21	553.15	-
1400	374.49	398.67	421.77	443.82	484.77	521.64	538.84	549.85	556.54	558.88	556.83	-	-	-
1600	406.65	431.13	454.24	475.99	515.52	549.88	556.15	559.23	556.60	-	-	-	-	-
1800	432.54	456.64	479.04	499.78	536.38	-	-	-	-	-	-	-	-	-
2000	448.40	471.46	492.50	511.55	543.88	-	-	-	-	-	-	-	-	-



DISTRIBUIDOR AUTORIZADO MEX (55) 53 63 23 31 MTY (81) 83 54 10 18  
 QRO (442) 1 95 72 60 - ventas@industrialmagza.com

DRIVES WITHIN SHADED AREA MAY GENERATE OBJECTIONABLE NOISE LEVELS UNLESS ACOUSTICALLY GUARDED



# Synchronous Plus Drive Horsepower Ratings 20M

## 230MM WIDE

The following tables represent the horsepower ratings for each belt at the pre-determined No. of Teeth, Pitch Diameters and RPMs. These ratings must be multiplied by the applicable belt length factor to obtain corrected HP rating.

No. Teeth	38	40	44	48	52	56	60	64	68	72	80	90
	PD (in.)	9.524	10.026	11.028	12.031	13.033	14.036	15.038	16.041	17.043	18.046	20.051
870	435.07	461.48	512.63	561.54	589.47	617.48	643.28	666.87	688.20	707.25	738.47	764.40
960	464.78	492.54	545.99	596.69	625.23	652.78	677.62	699.72	719.04	735.57	760.15	774.78
1160	525.55	555.42	612.09	664.74	693.77	717.86	737.90	753.84	765.64	773.29	775.98	-
1460	604.45	635.27	692.19	742.94	763.84	776.28	782.12	781.32	773.82	-	-	-
1750	662.60	692.06	744.46	788.49	774.07	767.74	-	-	-	-	-	-
10	6.55	6.83	7.59	8.61	9.04	9.81	10.53	11.20	11.82	12.39	13.38	14.34
20	13.23	13.91	15.47	17.30	18.60	19.88	21.11	22.29	23.43	24.52	26.57	28.85
40	26.94	28.44	31.64	35.12	38.25	40.60	42.91	45.18	47.40	49.58	53.81	58.83
60	40.71	43.04	47.91	53.04	58.00	61.45	64.86	68.23	71.56	74.84	81.28	89.06
100	67.92	71.90	80.07	88.49	96.86	102.52	108.13	113.70	119.22	124.69	135.47	148.63
200	132.20	140.17	156.26	172.51	187.75	198.67	209.49	220.21	230.81	241.31	261.93	287.02
300	190.47	202.15	225.51	248.87	268.75	284.35	299.74	314.90	329.82	344.49	373.09	407.36
400	243.08	258.13	288.06	317.76	340.59	360.19	379.39	398.16	416.51	434.41	468.86	509.31
500	290.72	308.80	344.58	379.80	404.46	427.32	449.52	471.03	491.85	511.97	550.05	593.53
600	334.10	354.89	395.77	435.74	461.56	486.90	511.25	534.60	556.93	578.21	617.63	660.88
700	373.92	397.07	442.35	486.28	512.94	539.96	565.61	589.85	612.68	634.07	672.48	712.18
800	410.77	435.95	484.92	532.04	559.46	587.35	613.40	637.60	659.90	680.31	715.33	748.12
900	445.16	472.05	524.02	573.59	601.73	629.66	655.23	678.41	699.16	717.48	746.70	769.18
1000	477.48	505.76	560.06	611.37	640.14	667.28	691.45	712.63	730.79	745.90	766.89	775.61
1100	508.01	537.38	593.35	645.70	674.81	700.30	722.16	740.37	754.88	765.66	775.96	767.45
1200	536.93	567.07	624.08	676.81	705.60	728.59	747.22	761.45	771.24	776.57	773.69	-
1400	589.93	620.76	678.04	729.61	753.67	769.06	778.42	781.69	778.83	-	-	-
1600	635.34	665.76	721.05	769.11	777.88	782.19	778.50	-	-	-	-	-
1800	670.02	699.03	750.23	792.66	767.46	-	-	-	-	-	-	-
2000	688.85	715.50	760.72	795.61	-	-	-	-	-	-	-	-

Smallest Sprocket RPM

## 290MM WIDE

870					762.44	798.66	832.04	862.55	890.14	914.79	955.17	988.70
960					808.69	844.33	876.46	905.04	930.04	951.41	983.20	1002.13
1160					897.35	928.51	954.42	975.04	990.31	1000.20	1003.68	-
1460					987.98	1004.06	1011.62	1010.58	1000.89	-	-	-
1750					1001.20	993.03	-	-	-	-	-	-
10					11.69	12.69	13.62	14.48	15.29	16.02	17.31	18.55
20					24.06	25.71	27.30	28.84	30.31	31.72	34.36	37.31
40					49.48	52.52	55.50	58.43	61.31	64.13	69.60	76.09
60					75.01	79.48	83.89	88.25	92.55	96.80	105.13	115.19
100					125.29	132.60	139.86	147.06	154.20	161.28	175.22	192.24
200					242.84	256.96	270.96	284.82	298.54	312.11	338.80	371.24
300					347.61	367.79	387.69	407.30	426.60	445.58	482.56	526.90
400					440.52	465.88	490.71	515.00	538.72	561.88	606.44	658.76
500					523.14	552.71	581.42	609.25	636.18	662.20	711.46	767.69
600					596.99	629.77	661.27	691.47	720.35	747.88	798.87	854.80
700					663.45	698.41	731.58	762.94	792.46	820.13	869.81	921.16
800					723.62	759.70	793.40	824.69	853.54	879.93	925.23	967.64
900					778.30	814.43	847.50	877.47	904.32	928.01	965.81	994.88
1000					827.98	863.08	894.34	921.74	945.23	964.78	991.93	1003.20
1100					872.83	905.79	934.07	957.61	976.38	990.33	1003.65	992.64
1200					912.65	942.38	966.48	984.88	997.55	1004.44	1000.71	-
1400					974.82	994.73	1006.83	1011.07	1007.37	-	-	-
1600					1006.41	1011.71	1006.94	-	-	-	-	-
1800					-	-	-	-	-	-	-	-

Smallest Sprocket RPM



**DISTRIBUIDOR AUTORIZADO**

MEX (55) 53 63 23 31  
QRO (442) 1 95 72 60

MTY (81) 83 54 10 18  
ventas@industrialmagza.com

DRIVES WITHIN SHADED AREA MAY GENERATE OBJECTIONABLE NOISE LEVELS UNLESS ACOUSTICALLY GUARDED



# Synchronous Plus Drive Horsepower Ratings 20M

## Selection Tables

### 340MM WIDE

The following tables represent the horsepower ratings for each belt at the pre-determined No. of Teeth, Pitch Diameters and RPMs. These ratings must be multiplied by the applicable belt length factor to obtain corrected HP rating.

Smallest Sprocket RPM	No. Teeth	52	56	60	64	68	72	80	90
	PD (in.)	13.033	14.036	15.038	16.041	17.043	18.046	20.051	22.557
870	909.67	952.89	992.72	1029.11	1062.03	1091.44	1139.62	1179.63	1179.63
960	964.86	1007.38	1045.71	1079.81	1109.63	1135.14	1173.07	1195.65	1195.65
1160	1070.64	1107.81	1138.73	1163.32	1181.55	1193.34	1197.49	-	-
1460	1178.76	1197.96	1206.97	1205.74	1194.17	-	-	-	-
1750	1194.55	1184.79	-	-	-	-	-	-	-
10	13.95	15.14	16.25	17.28	18.24	19.12	20.65	22.13	22.13
20	28.71	30.68	32.58	34.41	36.16	37.85	41.00	44.52	44.52
40	59.03	62.66	66.22	69.72	73.15	76.51	83.04	90.79	90.79
60	89.50	94.82	100.09	105.29	110.43	115.50	125.43	137.44	137.44
100	149.48	158.21	166.87	175.46	183.98	192.42	209.06	229.37	229.37
200	289.73	306.58	323.28	339.82	356.19	372.38	404.22	442.93	442.93
300	414.73	438.82	462.56	485.95	508.97	531.62	575.75	628.65	628.65
400	525.59	555.85	585.47	614.45	642.75	670.38	723.54	785.97	785.97
500	624.16	659.44	693.69	726.90	759.03	790.08	848.85	915.94	915.94
600	712.28	751.39	788.97	825.00	859.45	892.30	953.13	1019.87	1019.87
700	791.57	833.28	872.85	910.27	945.49	978.50	1037.78	1099.04	1099.04
800	863.36	906.40	946.61	983.94	1018.37	1049.85	1103.90	1154.50	1154.50
900	928.60	971.70	1011.16	1046.92	1078.95	1107.21	1152.32	1187.00	1187.00
1000	987.87	1029.75	1067.05	1099.74	1127.76	1151.08	1183.48	1196.93	1196.93
1100	1041.38	1080.71	1114.45	1142.54	1164.93	1181.57	1197.46	1184.33	1184.33
1200	1088.89	1124.37	1153.11	1175.07	1190.19	1198.40	1193.96	-	-
1400	1163.06	1186.82	1201.26	1206.31	1201.90	-	-	-	-
1600	1200.43	1207.08	1201.39	-	-	-	-	-	-
1800	1184.35	-	-	-	-	-	-	-	-

DRIVES WITHIN SHADED AREA MAY GENERATE OBJECTIONABLE NOISE LEVELS UNLESS ACOUSTICALLY GUARDED



DISTRIBUIDOR  
AUTORIZADO

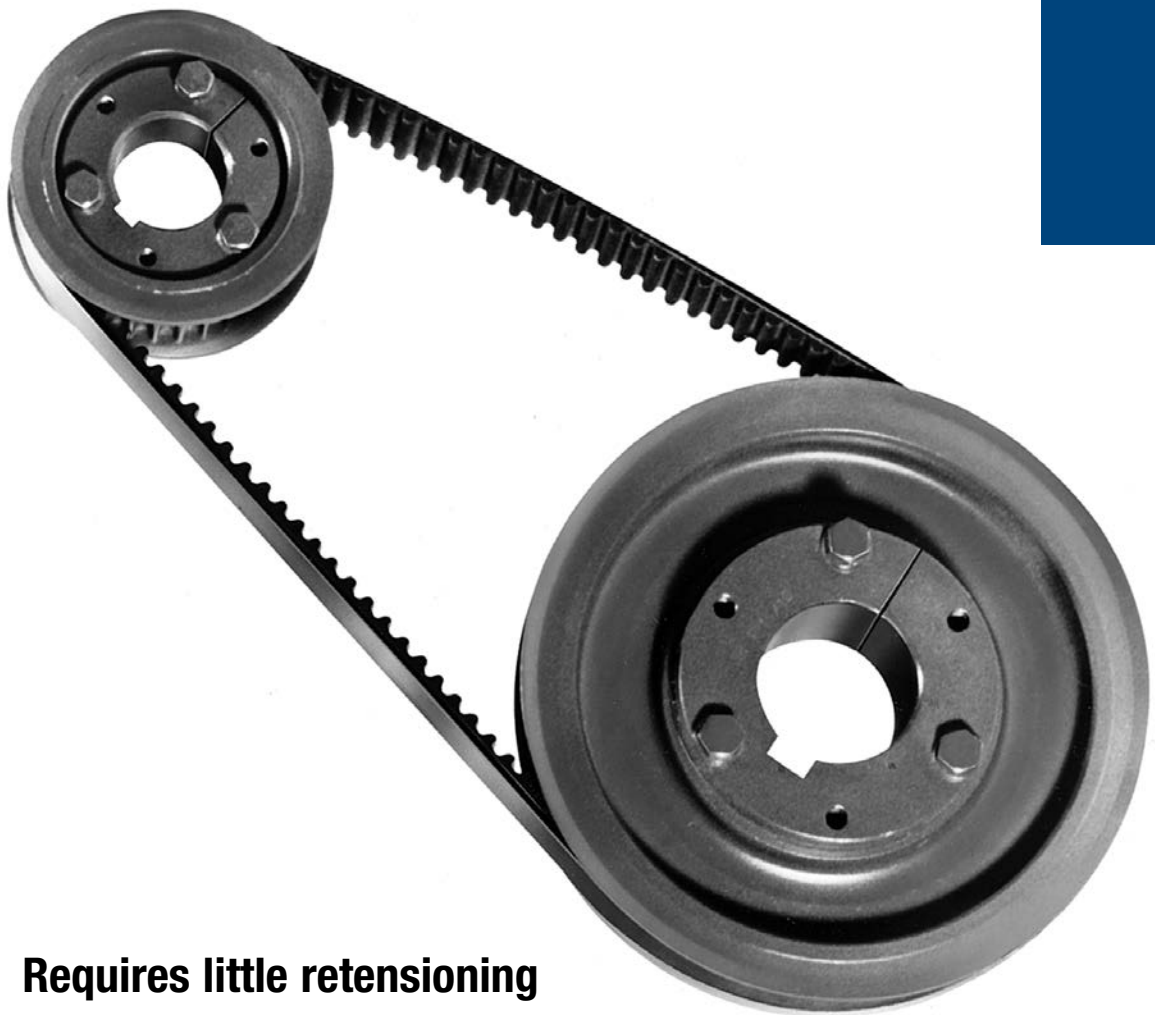
MEX (55) 53 63 23 31 MTY (81) 83 54 10 18  
QRO (442) 1 95 72 60 ventas@industrialmagza.com





# QT Power Chain Sprockets & Belts

C2



- **Requires little retensioning**
- **Abrasion resistant**
- **Less drive maintenance**



**DISTRIBUIDOR  
AUTORIZADO**

MEX (55) 53 63 23 31 MTY (81) 83 54 10 18  
QRO (442) 1 95 72 60 [ventas@industrialmagza.com](mailto:ventas@industrialmagza.com)



**DISTRIBUIDOR  
AUTORIZADO**

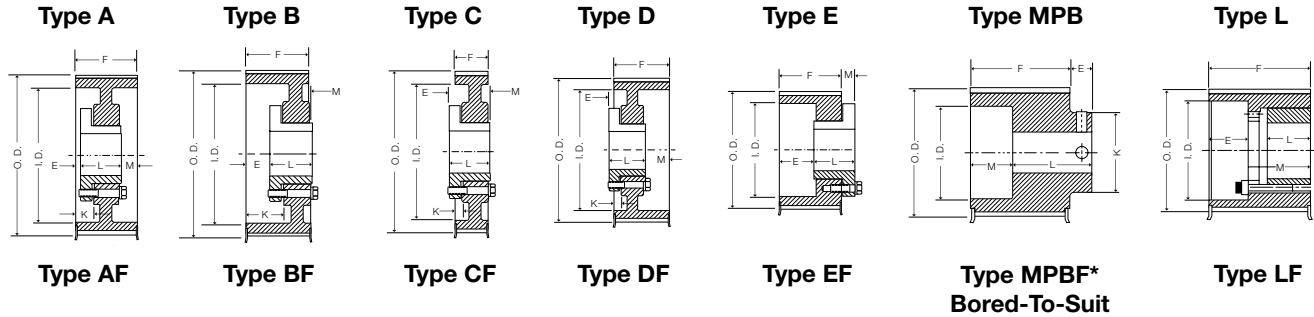
MEX (55) 53 63 23 31 MTY (81) 83 54 10 18  
QRO (442) 1 95 72 60 [ventas@industrialmagza.com](mailto:ventas@industrialmagza.com)

# QT Power Chain Sprocket 8M

## Dimensions

### SPROCKET TYPES

The QT Power Chain sprockets listed in the tables below are all stock sizes. All dimensions given are for the sprocket with the Sure-Grip bushing in place and are in inches only.



The figure following the sketch reference letter in the "Type" column indicates the construction of the sprocket. (1 = Solid, 2 = Web, and 3 = Arms), and the letter "F" indicates that the sprocket has flanges.

PRODUCT NO.	BUSHING	NO. OF TEETH	DIAMETERS				TYPE	DIMENSIONS (INCHES)				BORE		WT.
			P.D.	O.D.		I.D.		E	K	L	M	Min.	Max.	
				Sprocket	Flange									
FOR BELTS 12 mm (.47 in.) WIDE • 8mm PITCH (8M-12) Face Width (F) = 21 mm (.83 in.) Dual Drilled (inch/metric) ①														
W228M12*	-	22	2.206	2.152	2.56	-	MPB1F	0.62	1.62	1.45	-	0.500*	1.000	0.9
W248M12	JA	24	2.406	2.352	2.76	1.34	E1F	0.30	-	1.00	0.47	0.500	1.250	1.3
W268M12	JA	26	2.607	2.553	2.95	1.88	E1F	0.30	-	1.00	0.47	0.500	1.250	1.4
W288M12	QT	28	2.807	2.759	3.15	-	E1F	-0.04	-	1.25	0.38	0.500	1.500	1.3
W308M12	QT	30	3.008	2.958	3.35	-	E1F	-0.04	-	1.25	0.38	0.500	1.500	1.5
W328M12	QT	32	3.208	3.156	3.54	-	E1F	-0.04	-	1.25	0.38	0.500	1.500	1.7
W348M12	SH	34	3.409	3.355	3.82	-	D1F	0.56	-	1.25	0.14	0.500	1.688	2.0
W368M12	SH	36	3.609	3.555	3.94	-	D1F	0.56	-	1.25	0.14	0.500	1.688	2.2
W388M12	SH	38	3.810	3.756	4.13	-	D1F	0.56	-	1.25	0.14	0.500	1.688	2.4
W408M12	SH	40	4.010	3.956	4.33	-	D1F	0.56	-	1.25	0.14	0.500	1.688	2.6
W448M12	SDS	44	4.411	4.357	4.76	3.50	D1F	0.55	0.08	1.31	0.06	0.500	2.000	3.3
W488M12	SDS	48	4.812	4.758	5.16	3.80	D1F	0.55	0.08	1.31	0.06	0.500	2.000	3.8
W568M12	SDS	56	5.614	5.560	5.95	4.60	D1F	0.55	0.08	1.31	0.06	0.500	2.000	5.1
W648M12	SDS	64	6.416	6.362	6.77	5.40	D1F	0.55	0.08	1.31	0.06	0.500	2.000	6.6
W728M12	SDS	72	7.218	7.164	7.60	6.20	D2F	0.55	0.08	1.31	0.06	0.500	2.000	6.3
W808M12	SDS	80	8.020	7.966	8.39	6.90	D2F	0.55	0.08	1.31	0.06	0.500	2.000	7.9
W908M12	SDS	90	9.023	8.969	-	7.90	D3	0.55	0.08	1.31	0.06	0.500	2.000	7.5
W1128M12	SK	112	11.229	11.175	-	10.00	C3	0.72	-	1.88	0.33	0.500	2.625	14.6
W1448M12	SK	144	14.437	14.370	-	13.20	C3	0.72	-	1.88	0.33	0.500	2.625	20.9
W1928M12	SF	192	19.249	19.176	-	18.00	C3	0.69	-	2.00	0.48	0.500	2.938	35.6

Weights for all Sure-Grip bushed items are approximate and include the bushing.

\*Bored-To-Suit construction, minimum plain bore with 2 setscrews.

Refer to page C2-9 for balancing standards.

① Drilled for both inch and metric bushing hardware. On new production manufactured after Oct. 1, 1998.



DISTRIBUIDOR  
AUTORIZADO

MEX (55) 53 63 23 31 MTY (81) 83 54 10 18  
QRO (442) 1 95 72 60 ventas@industrialmagza.com





# QT Power Chain Sprocket 8M

## Dimensions

PRODUCT NO.	BUSHING	NO. OF TEETH	DIAMETERS				TYPE	DIMENSIONS (INCHES)				BORE		WT.
			P.D.	O.D.		I.D.		E	K	L	M	Min.	Max.	
				Sprocket	Flange									
FOR BELTS 22 mm (.86 in.) WIDE • 8mm PITCH (8M-22) Face Width (F) = 31 mm (1.22 in.) Dual Drilled (inch/metric) ①														
W228M22*	-	22	2.206	2.152	2.56	-	MPB1F	0.62	1.62	1.84	-	0.500*	1.000	1.2
W248M22	JA	24	2.406	2.352	2.76	1.34	E1F	0.69	-	1.00	0.47	0.500	1.250	1.5
W268M22	JA	26	2.607	2.553	2.95	1.88	E1F	0.69	-	1.00	0.47	0.500	1.250	1.5
W288M22	QT	28	2.807	2.759	3.15	1.57	E1F	0.35	-	1.25	0.38	0.500	1.500	1.7
W308M22	QT	30	3.008	2.958	3.35	1.57	E1F	0.35	-	1.25	0.38	0.500	1.500	1.9
W328M22	QT	32	3.208	3.156	3.54	2.56	C1F	0.03	0.35	1.25	-	0.500	1.500	1.9
W348M22	SH	34	3.409	3.355	3.82	2.75	D1F	0.16	0.41	1.25	0.13	0.500	1.688	2.1
W368M22	SH	36	3.609	3.555	3.94	2.81	D1F	0.16	0.41	1.25	0.13	0.500	1.688	2.4
W388M22	SH	38	3.810	3.756	4.13	3.00	D1F	0.16	0.41	1.25	0.13	0.500	1.688	2.7
W408M22	SH	40	4.010	3.956	4.33	3.00	D1F	0.16	0.41	1.25	0.13	0.500	1.688	3.1
W448M22	SDS	44	4.411	4.357	4.76	3.50	D1F	0.16	0.47	1.31	0.06	0.500	2.000	3.7
W488M22	SDS	48	4.812	4.758	5.16	3.80	D1F	0.16	0.47	1.31	0.06	0.500	2.000	4.4
W568M22	SDS	56	5.614	5.560	5.95	4.60	D1F	0.16	0.47	1.31	0.06	0.500	2.000	5.7
W648M22	SDS	64	6.416	6.362	6.77	5.40	D1F	0.16	0.47	1.31	0.06	0.500	2.000	7.3
W728M22	SDS	72	7.218	7.164	7.60	6.20	D2F	0.18	0.44	1.31	0.09	0.500	2.000	7.2
W808M22	SDS	80	8.020	7.966	8.39	6.90	D2F	0.18	0.44	1.31	0.09	0.500	2.000	9.0
W908M22	SDS	90	9.023	8.969	-	7.90	D3	0.18	0.44	1.31	0.09	0.500	2.000	8.7
W1128M22	SK	112	11.229	11.175	-	10.00	C3	0.47	0.25	1.88	0.19	0.500	2.625	16.3
W1448M22	SK	144	14.437	14.370	-	13.20	C3	0.47	0.25	1.88	0.19	0.500	2.625	23.2
W1928M22	SF	192	19.249	19.176	-	18.00	C3	0.44	0.25	2.00	0.34	0.500	2.938	38.7
FOR BELTS 35 mm (1.38 in.) WIDE • 8mm PITCH (8M-35) Face Width (F) = 44 mm (1.73 in.) Dual Drilled (inch/metric) ①														
W228M35*	-	22	2.206	2.152	2.56	-	MPB1F	0.62	1.62	2.35	-	0.500*	1.000	1.6
W248M35*	-	24	2.406	2.352	2.76	-	MPB1F	0.62	1.81	2.35	-	0.500*	1.125	2.0
W268M35*	-	26	2.607	2.553	2.95	-	MPB1F	0.62	2.00	2.35	-	0.500*	1.250	2.4
W288M35	QT	28	2.807	2.759	3.15	1.57	E1F	0.86	-	1.25	0.38	0.500	1.500	2.1
W308M35	QT	30	3.008	2.958	3.35	1.57	E1F	0.86	-	1.25	0.38	0.500	1.500	2.4
W328M35	QT	32	3.208	3.158	3.54	2.56	A1F	0.25	0.62	1.25	0.48	0.500	1.500	2.2
W348M35	SH	34	3.409	3.355	3.82	2.75	A1F	0.06	0.62	1.25	0.42	0.500	1.688	2.4
W368M35	SH	36	3.609	3.555	3.94	2.81	A1F	0.06	0.62	1.25	0.42	0.500	1.688	2.8
W388M35	SH	38	3.810	3.756	4.13	3.00	A1F	0.06	0.62	1.25	0.42	0.500	1.688	3.1
W408M35	SH	40	4.010	3.956	4.33	3.00	D1F	0.06	0.50	1.25	0.55	0.500	1.688	3.5
W448M35	SD	44	4.411	4.357	4.76	3.50	D1F	0.38	0.25	1.81	0.29	0.500	2.000	5.3
W488M35	SD	48	4.812	4.758	5.16	3.80	D1F	0.38	0.25	1.81	0.29	0.500	2.000	6.4
W568M35	SK	56	5.614	5.560	5.95	4.60	D1F	0.47	0.25	1.88	0.32	0.500	2.625	8.6
W648M35	SK	64	6.416	6.362	6.77	5.40	D1F	0.47	0.25	1.88	0.32	0.500	2.625	11.2
W728M35	SK	72	7.218	7.164	7.60	6.20	D1F	0.47	0.25	1.88	0.32	0.500	2.625	14.0
W808M35	SF	80	8.020	7.966	8.39	6.90	D2F	0.44	0.25	2.00	0.17	0.500	2.938	14.7
W908M35	SF	90	9.023	8.969	-	7.90	D2	0.44	0.25	2.00	0.17	0.500	2.938	17.5
W1128M35	SF	112	11.229	11.175	-	10.00	D3	0.44	0.25	2.00	0.17	0.500	2.938	20.6
W1448M35	E	144	14.437	14.383	-	13.20	C3	0.80	0.11	2.62	0.09	0.875	3.500	35.2
W1928M35	E	192	19.249	19.195	-	18.00	C3	0.80	0.11	2.62	0.09	0.875	3.500	54.1
FOR BELTS 60 mm (2.36 in.) WIDE • 8mm PITCH (8M-60) Face Width (F) = 70 mm (2.76 in.) Dual Drilled (inch/metric) ①														
W228M60*	-	22	2.206	2.152	2.56	-	MPB1F	0.62	1.62	3.38	-	0.750*	1.000	2.2
W248M60*	-	24	2.406	2.352	2.76	-	MPB1F	0.62	1.81	3.38	-	0.750*	1.125	2.7
W268M60*	-	26	2.607	2.553	2.95	-	MPB1F	0.62	2.00	3.38	-	0.750*	1.250	3.3
W288M60*	-	28	2.807	2.759	3.15	-	MPB1F	0.62	2.28	3.38	-	0.750*	1.500	4.0
W308M60*	-	30	3.008	2.958	3.35	-	MPB1F	0.62	2.47	3.38	-	0.750*	1.625	4.8
W328M60*	-	32	3.208	3.156	3.54	-	MPB1F	0.75	2.69	3.51	-	0.750*	1.875	5.7
W348M60*	-	34	3.409	3.355	3.82	-	MPB1F	0.75	2.94	3.51	-	0.750*	2.000	6.6
W368M60	SKL	36	3.609	3.555	3.94	2.81	L1F	0.79	-	1.13	1.97	0.500	1.938	3.6
W388M60	SKL	38	3.810	3.756	4.13	3.00	L1F	0.79	-	1.13	1.97	0.500	1.938	4.3
W408M60	SKL	40	4.010	3.956	4.33	3.00	L1F	0.79	-	1.13	1.97	0.500	1.938	5.1
W448M60	SFL	44	4.411	4.357	4.76	3.50	L1F	0.79	-	1.13	1.97	0.500	2.375	5.9
W488M60	SFL	48	4.812	4.758	5.16	3.63	L1F	0.79	-	1.13	1.97	0.500	2.375	7.5
W568M60	EL	56	5.614	5.560	5.95	4.60	L1F	0.38	-	1.50	2.38	0.875	2.875	11.4
W648M60	SF	64	6.416	6.362	6.77	5.40	A1F	0.06	0.75	2.00	0.70	0.500	2.938	13.6
W728M60	E	72	7.218	7.164	7.60	6.20	A1F	0.09	1.00	2.62	0.05	0.875	3.500	21.8
W808M60	E	80	8.020	7.966	8.39	6.90	A1F	0.09	1.00	2.62	0.05	0.875	3.500	26.3
W908M60	E	90	9.023	8.969	-	7.90	A1	0.09	1.00	2.62	0.05	0.875	3.500	32.3
W1128M60	F	112	11.229	11.175	-	10.00	C1	0.80	0.26	3.62	0.06	1.000	4.000	65.7
W1448M60	F	144	14.437	14.383	-	13.20	C3	0.80	0.26	3.62	0.06	1.000	4.000	58.1
W1928M60	F	192	19.249	19.195	-	18.00	C3	0.80	0.26	3.62	0.06	1.000	4.000	74.4

Weights for all Sure-Grip bushed items are approximate and include the bush.

\*Bored-To-Suit construction, minimum plain bore with 2 setscrews.

Refer to page C2-9 for balancing standards.

① Drilled for both inch and metric bushing hardware. On new production manufactured after Oct. 1, 1998.



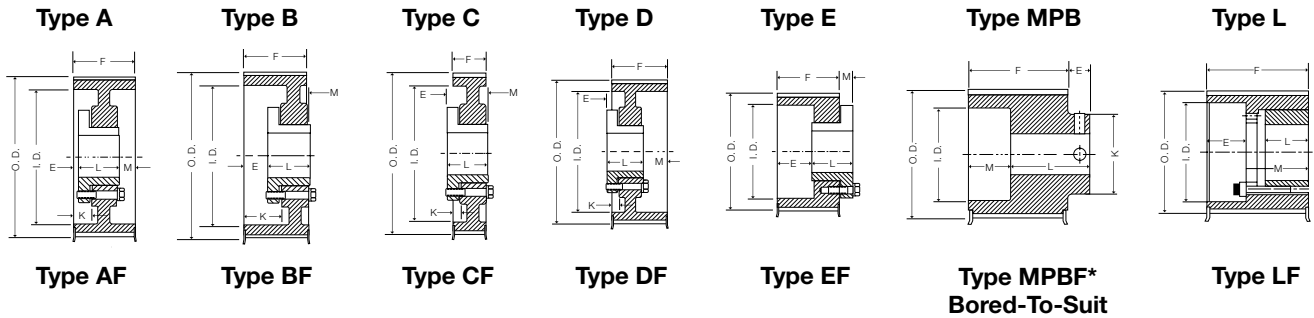
DISTRIBUIDOR  
AUTORIZADO

MEX (55) 53 63 23 31 MTY (81) 83 54 10 18  
QRO (442) 1 95 72 60 ventas@industrialmagza.com



# QT Power Chain Sprocket 14M

## Dimensions



The figure following the sketch reference letter in the "Type" column indicates the construction of the sprocket. (1 = Solid, 2 = Web, and 3 = Arms), and the letter "F" indicates that the sprocket has flanges.

PRODUCT NO.	BUSH-ING	NO. OF TEETH	DIAMETERS				TYPE	DIMENSIONS (INCHES)				BORE		WT.
			P.D.	O.D.		I.D.		E	K	L	M	Min.	Max.	
				Sprocket	Flange									
FOR BELTS 20 mm (.79 in.) WIDE • 14mm PITCH (14M-20) Face Width (F) = 31 mm (1.22 in.) Dual Drilled (inch/metric) ①														
W2814M20	SK	28	4.912	4.802	5.56	-	D1F	0.71	-	1.88	0.06	0.500	2.625	5.6
W2914M20	SK	29	5.088	4.978	5.56	-	D1F	0.71	-	1.88	0.06	0.500	2.625	6.0
W3014M20	SK	30	5.263	5.153	5.56	-	D1F	0.71	-	1.88	0.06	0.500	2.625	6.4
W3214M20	SK	32	5.614	5.504	6.09	-	D1F	0.71	-	1.88	0.06	0.500	2.625	7.3
W3414M20	SK	34	5.965	5.855	6.50	-	D1F	0.71	-	1.88	0.06	0.500	2.625	8.2
W3614M20	SF	36	6.316	6.206	6.87	-	C1F	0.69	-	2.00	0.09	0.500	2.938	9.8
W3814M20	SF	38	6.667	6.557	7.22	-	C1F	0.69	-	2.00	0.09	0.500	2.938	10.9
W4014M20	SF	40	7.018	6.908	7.50	-	C1F	0.69	-	2.00	0.09	0.500	2.938	12.0
W4414M20	E	44	7.720	7.610	8.34	-	C1F	0.91	-	2.62	0.50	0.875	3.500	19.8
W4814M20	E	48	8.421	8.311	8.90	-	C1F	0.91	-	2.62	0.50	0.875	3.500	22.5
W5214M20	E	52	9.123	9.013	9.68	-	C1F	0.91	-	2.62	0.50	0.875	3.500	25.4
W5614M20	E	56	9.825	9.715	10.38	-	C1F	0.91	-	2.62	0.50	0.875	3.500	28.5
W6014M20	E	60	10.527	10.417	11.06	-	C1F	0.91	-	2.62	0.50	0.875	3.500	32.8
W6414M20	E	64	11.229	11.119	11.68	9.25	C2F	0.91	-	2.62	0.50	0.875	3.500	30.6
W6814M20	E	68	11.930	11.820	12.50	10.00	C2F	0.91	-	2.62	0.50	0.875	3.500	32.7
W7214M20	E	72	12.632	12.522	13.19	10.69	C2F	0.91	-	2.62	0.50	0.875	3.500	31.4
W8014M20	E	80	14.036	13.926	14.63	12.12	C2F	0.91	-	2.62	0.50	0.875	3.500	35.3
W9014M20	E	90	15.790	15.680	-	14.50	C3	1.09	-0.19	2.62	0.31	0.875	3.500	37.2
W11214M20	E	112	19.650	19.540	-	18.38	C3	1.09	-0.19	2.62	0.31	0.875	3.500	46.9
W14414M20	E	144	25.264	25.154	-	23.88	C3	1.09	-0.19	2.62	0.31	0.875	3.500	71.1
W16814M20	F	168	29.475	29.365	-	27.97	C3	1.50	-0.44	3.62	0.91	1.000	4.000	94.0
W19214M20	J	192	33.686	33.576	-	31.95	C3	1.94	-0.69	4.50	1.34	1.438	4.500	166.0
W21614M20	J	216	37.896	37.786	-	35.81	C3	1.94	-0.69	4.50	1.34	1.438	4.500	192.0
FOR BELTS 42 mm (1.65 in.) WIDE • 14mm PITCH (14M-42) Face Width (F) = 53 mm (2.09 in.) Dual Drilled (inch/metric) ①														
W2814M42	SK	28	4.912	4.802	5.56	-	E1F	0.94	-	1.88	0.72	0.500	2.625	7.5
W2914M42	SK	29	5.088	4.978	5.56	-	E1F	0.94	-	1.88	0.72	0.500	2.625	8.2
W3014M42	SK	30	5.263	5.153	5.56	4.04	D1F	0.30	0.42	1.88	0.51	0.500	2.625	7.9
W3214M42	SK	32	5.614	5.504	6.09	4.04	D1F	0.30	0.42	1.88	0.51	0.500	2.625	9.4
W3414M42	SF	34	5.965	5.855	6.50	4.44	E1F	0.78	0.00	2.00	0.68	0.500	2.938	10.8
W3614M42	SF	36	6.316	6.206	6.87	4.84	D1F	0.26	0.42	2.00	0.36	0.500	2.938	11.9
W3814M42	SF	38	6.667	6.557	7.22	4.94	D1F	0.26	0.42	2.00	0.36	0.500	2.938	13.6
W4014M42	SF	40	7.018	6.908	7.50	5.06	D1F	0.26	0.42	2.00	0.36	0.500	2.938	15.3
W4414M42	E	44	7.720	7.610	8.34	6.12	D1F	0.67	0.23	2.62	0.14	0.875	3.500	22.4
W4814M42	E	48	8.421	8.311	8.90	6.50	D1F	0.67	0.23	2.62	0.14	0.875	3.500	16.6
W5214M42	E	52	9.123	9.013	9.68	7.18	D1F	0.67	0.23	2.62	0.14	0.875	3.500	30.7
W5614M42	E	56	9.825	9.715	10.38	7.88	D1F	0.67	0.23	2.62	0.14	0.875	3.500	35.2
W6014M42	E	60	10.527	10.417	11.06	8.50	D1F	0.67	0.23	2.62	0.14	0.875	3.500	40.1
W6414M42	E	64	11.229	11.119	11.68	9.25	D2F	0.67	0.23	2.62	0.14	0.875	3.500	36.2
W6814M42	E	68	11.930	11.820	12.50	10.00	D2F	0.67	0.23	2.62	0.14	0.875	3.500	38.6
W7214M42	E	72	12.632	12.522	13.19	10.69	D2F	0.67	0.23	2.62	0.14	0.875	3.500	37.8
W8014M42	E	80	14.036	13.926	14.63	12.12	D2F	0.67	0.23	2.62	0.14	0.875	3.500	42.3
W9014M42	F	90	15.790	15.680	-	14.50	C3	1.06	-	3.62	0.47	1.000	4.000	56.0
W11214M42	F	112	19.650	19.540	-	18.38	C3	1.06	-	3.62	0.47	1.000	4.000	74.1
W14414M42	F	144	25.264	25.147	-	23.88	C3	1.06	-	3.62	0.47	1.000	4.000	112.1
W16814M42	F	168	29.475	29.365	-	28.25	C3	1.06	-	3.62	0.47	1.000	4.000	148.4
W19214M42	J	192	33.686	33.576	-	32.05	C3	1.50	-0.25	4.50	0.91	1.438	4.500	177.0
W21614M42	J	216	37.896	37.786	-	36.05	C3	1.50	-0.25	4.50	0.91	1.438	4.500	206.0

Weights for all Sure-Grip bushed items are approximate and include the bush. Refer to page C2-9 for balancing standards.

① Drilled for both inch and metric bushing hardware up thru W168-14M sprocket. On new production manufactured after Oct. 1, 1998.



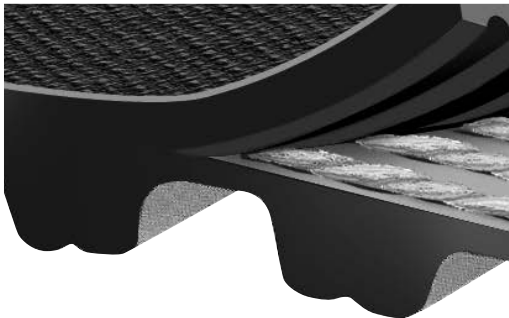
# QT Power Chain

## Construction

*Q T P o w e r C h a i n*<sup>®</sup> offers performance that soars.

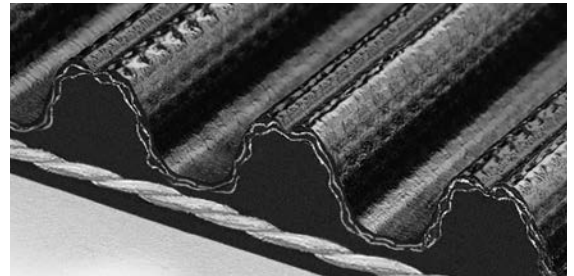
**QT Power Chain<sup>®</sup>** is a custom construction that offers a solution to problem drives. With its quality materials, yielding best-in-class performance, this durable synchronous belt can eliminate the unnecessary downtime that competitive belts offer. Designed for long life, QT Power Chain<sup>®</sup> can provide virtually maintenance-free operation.

### RUBBER COMPOUNDING



This cross-linked elastomer is formulated to resist tooth deformity and increase tooth rigidity, increasing belt life and decreasing replacement costs. Its chemical stability resists the effects of oils, coolants, heat and ozone.

### TOOTH PROFILE



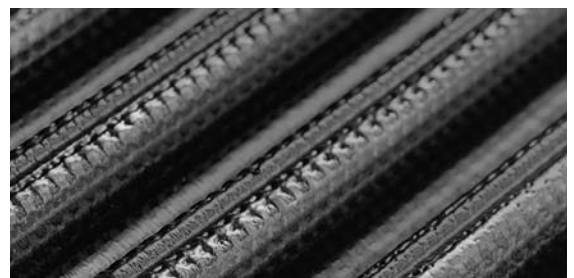
The demands of synchronous drives put additional strain on the belt and tooth surface, for high speed and low speed applications. The QT Power Chain<sup>®</sup> tooth profile resists ratcheting and provides accurate positioning for synchronous drive applications.



### TENSILE MEMBERS

The tensile members provide excellent dimensional stability and high impact strength. Operating at a consistent tension, QT Power Chain<sup>®</sup> requires little retensioning and less drive maintenance.

### TOOTH FACING / WEAR JACKETS



Designed for higher loads and abrasion resistance, the facing provides a reduced coefficient of friction so that the belt meshes easier with pulleys.



DISTRIBUIDOR AUTORIZADO MEX (55) 53 63 23 31 MTY (81) 83 54 10 18  
QRO (442) 1 95 72 60 ventas@industrialmagza.com

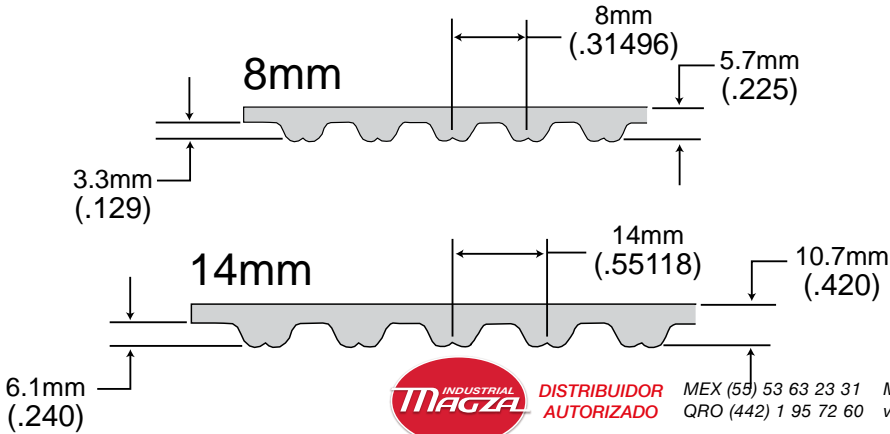


## Tolerances

Belt Length (mm)	*Std. Length Tolerances (Center-to-Center)	Belt Length (mm)	*Std. Length Tolerances (Center-to-Center)
Over 254 to 381	±0.23	Over 3302 to 3556	±0.61
Over 381 to 508	±0.25	Over 3556 to 3810	±0.64
Over 508 to 762	±0.30	Over 3810 to 4064	±0.66
Over 762 to 1016	±0.33	Over 4064 to 4318	±0.69
Over 1016 to 1270	±0.38	Over 4318 to 4572	±0.71
Over 1270 to 1524	±0.41	Over 4572 to 4826	±0.74
Over 1524 to 1778	±0.43	Over 4826 to 5080	±0.76
Over 1778 to 2032	±0.46	Over 5080 to 5534	±0.79
Over 2032 to 2286	±0.48	Over 5534 to 5588	±0.81
Over 2286 to 2540	±0.51	Over 5588 to 5842	±0.84
Over 2540 to 2794	±0.53	Over 5842 to 6096	±0.86
Over 2794 to 3048	±0.56	Over 6096 to 6350	±0.89
Over 3048 to 3302	±0.58	Over 6350 to 6604	±0.91
		Over 6604 to 6860	±0.94

\*NOTE: The length tolerances given for positive drive belts refer to the center to center tolerance between belts when checked on a standard measuring fixture. The actual pitch length tolerance is twice the value shown. If a special tension member is used consult the factory for proper length tolerances.

## BELT DIMENSIONS



**DISTRIBUIDOR AUTORIZADO** MEX (55) 53 63 23 31 MTY (81) 83 54 10 18  
QRO (442) 1 95 72 60 ventas@industrialmagza.com



# QT Power Chain Belts

## Dimensions

### QT POWER CHAIN 8mm PITCH SYNCHRONOUS BELTS\*

Belt Length	Pitch Length (mm)	Pitch Length (inches)	No. of Teeth	Approx. Weight (Lbs)			
				12mm. 0.47in.	22mm. 0.87in.	35mm. 1.38in.	60mm. 2.36in.
480-8M	480	18.90	60	.08	.14	.23	.41
560-8M	560	22.05	70	.08	.18	.27	.43
600-8M	600	23.62	75	.10	.19	.29	.47
640-8M	640	25.20	80	.11	.20	.32	.50
720-8M	720	28.35	90	.12	.22	.35	.60
800-8M	800	31.50	100	.13	.24	.39	.67
880-8M	880	34.65	110	.15	.28	.43	.73
960-8M	960	37.80	120	.16	.30	.47	.80
1040-8M	1040	40.94	130	.17	.32	.50	.89
1120-8M	1120	44.09	140	.19	.34	.55	.94
1200-8M	1200	47.24	150	.20	.37	.58	1.01
1224-8M	1224	48.18	153	.21	.39	.60	1.02
1280-8M	1280	50.39	160	.22	.40	.62	1.07
1440-8M	1440	56.69	180	.24	.44	.70	1.21
1600-8M	1600	62.99	200	.27	.50	.78	1.33
1760-8M	1760	69.30	220	.29	.54	.85	1.48
1800-8M	1800	70.86	225	.30	.55	.88	1.50
2000-8M	2000	78.74	250	.34	.62	.97	1.67
2200-8M	2200	86.61	275	.37	.68	1.07	1.84
2400-8M	2400	94.48	300	.40	.74	1.17	2.00
2600-8M	2600	102.36	325	.44	.80	1.27	2.17
2800-8M	2800	110.23	350	.47	.86	1.37	2.34
3048-8M	3048	120.00	381	.51	.94	1.48	2.56
3280-8M	3280	129.13	410	.55	1.01	1.60	2.75
3600-8M	3600	141.73	450	.61	1.11	1.76	3.01
4400-8M	4400	173.23	550	.74	1.35	2.15	3.68

### QT POWER CHAIN 14mm PITCH SYNCHRONOUS BELTS\*

Belt Length	Pitch Length (mm)	Pitch Length (inches)	No. of Teeth	Approx. Weight (Lbs)				
				20mm. .79in.	42mm. 1.65in.	65mm. 2.56in.	90mm. 3.54in.	120mm. 4.72in.
966-14M	966	38.03	69	.40	.88	1.36	1.88	2.52
1190-14M	1190	46.85	85	.48	1.08	1.68	2.33	3.11
1400-14M	1400	55.12	100	.60	1.27	1.97	2.74	3.65
1610-14M	1610	63.39	115	.67	1.47	2.27	3.14	4.20
1778-14M	1778	70.00	127	.74	1.61	2.52	3.47	4.64
1890-14M	1890	74.41	135	.78	1.72	2.67	3.70	4.93
2100-14M	2100	82.68	150	.87	1.91	2.97	4.10	5.48
2310-14M	2310	90.94	165	.96	2.10	3.26	4.51	6.02
2450-14M	2450	96.46	175	1.02	2.24	3.46	4.79	6.40
2590-14M	2590	101.97	185	1.08	2.36	3.66	5.06	6.76
2800-14M	2800	110.24	200	1.17	2.55	3.95	5.47	7.31
3150-14M	3150	124.02	225	1.31	2.87	4.46	6.17	8.21
3360-14M	3360	132.28	240	1.40	3.06	4.75	6.56	8.76
3500-14M	3500	137.80	250	1.46	3.18	4.95	6.92	9.13
3850-14M	3850	151.58	275	1.60	3.50	5.44	7.52	10.04
4326-14M	4326	170.32	309	1.80	3.93	6.11	8.47	11.27
4578-14M	4578	180.24	327	1.90	4.16	6.48	8.95	11.92
4956-14M	4956	195.12	354	2.06	4.50	6.97	9.65	12.86

\* Part Number Example: 210014M65W ("W" suffix indicates QT Power Chain).



DISTRIBUIDOR AUTORIZADO MEX (55) 53 63 23 31 QRO (442) 1 95 72 60 MTY (81) 83 54 10 18 ventas@industrialmagza.com

Refer to page C2-7 for belt tolerances



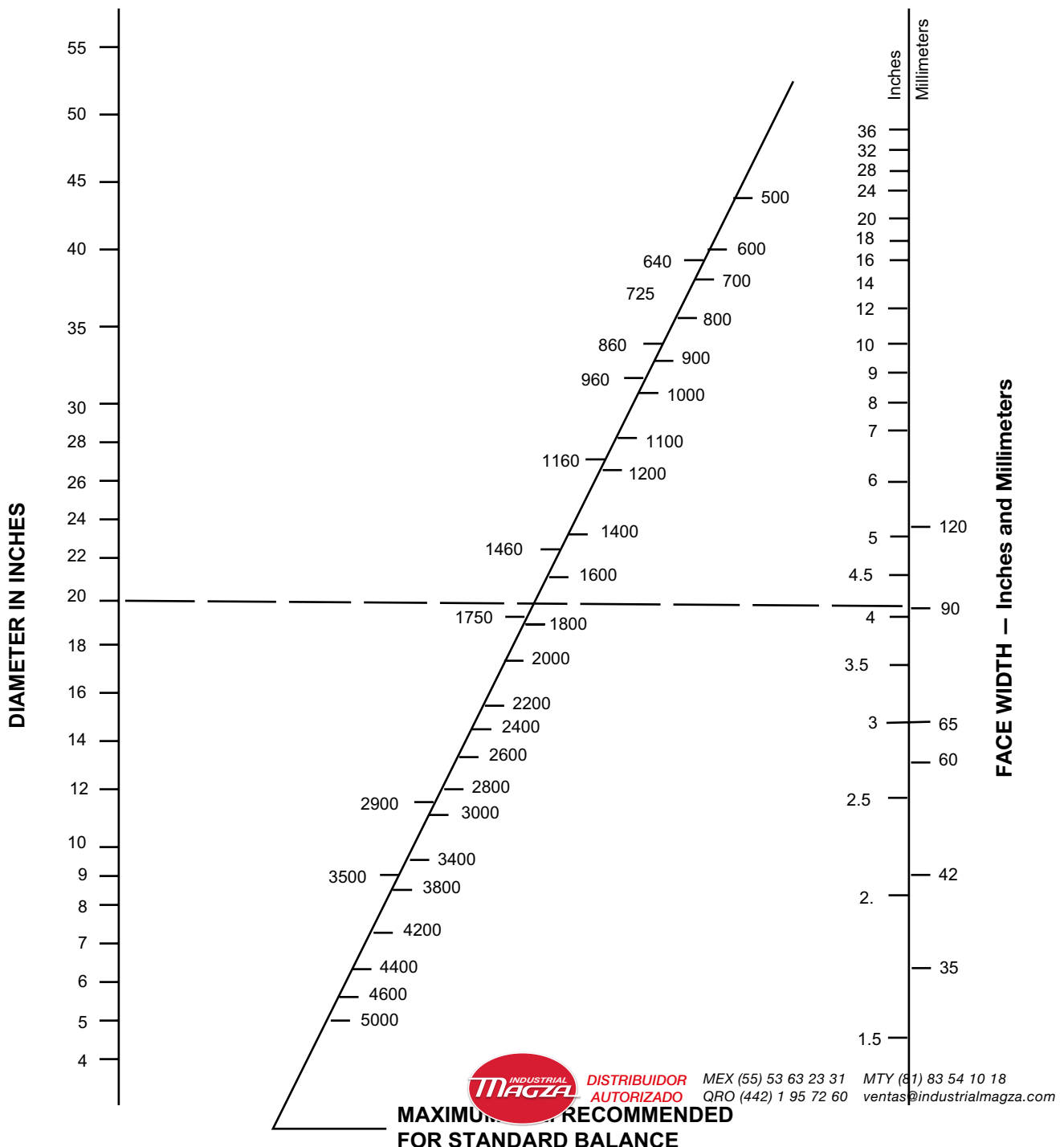
# Balancing Standards

Proper balance of rotating products is important for smooth, vibration-free operation. Standard balance of Wood's stock products is a one plane balance. Depending on the face width, outside diameter, and operating speed a higher precision balance may be required for smooth operation. In those cases a two-plane balance is suggested.

**Note: Two plane balance is for smooth operation only and DOES NOT increase the maximum safe operating speed of the product. Stock cast iron wheels may not exceed 6,550 feet per minute; and ductile iron wheels are limited to 10,000 FPM. (FPM = sheave outside diameter x RPM x .262)**

The nomograph below may be used as a guideline to determine when two-plane balance is recommended. To use this chart lay a straight-edge between the diameter of the part on the left of the chart and the face width of the part on the right. The straight edge will intersect the slanted scale in the center of the chart. When the operating speed is greater than the intersection point a two-plane balance is recommended.

**Example:** If a 20 in. diameter x 4 in. (90 mm) face width sprocket runs faster than 1700 rpm, dynamic balancing is recommended.



# Synchronous

## Service Factors

### 1a: driveR (prime mover)

Class of driveR	Class I	Class II	Class III
<b>Momentary Peak Load, % of Rated Load</b>	149%	150 to 249%	250 to 400%
<b>AC Electric Motors: Single Phase</b>			all
<b>Squirrel Cage</b> NEMA design A			
3600 rpm	40 HP up	1-1/2 thru 30 HP	1 thru 3 HP
1800 rpm	100 HP up	5 thru 75 HP	
1200 rpm	15 HP up	3/4 thru 10 HP	
900 rpm	5 HP up	1/2 thru 3 HP	
NEMA design B			
3600 rpm		5 HP up	1-1/2 thru 3 HP
1800 rpm		5 HP up	1 thru 3 HP
1200 rpm		5 HP up	3/4 thru 3 HP
900 rpm		2 HP up	1-1/2 thru 1-1/2 HP
NEMA design C			
1800 rpm	15 HP up		5 thru 10 HP
1200 rpm	7-1/2 HP up		3 and 5 HP
900 rpm	all		
NEMA design D			all
NEMA design F	all		
<b>Wound Rotor</b>			
1800 rpm		20 HP	2 to 15 HP
1200 rpm		15 HP	2 to 10 HP
900 rpm		7-1/2 HP	1 to 5 HP
<b>Synchronous</b>		normal torque	high torque
<b>DC Electric Motors</b>	shunt	compound	series
<b>Engines – int combust</b>	8 cyl up	6 cyl	4 cyl or less
<b>Hydraulic Motors, Line Shafts</b>			all

### 1c: Additional Service Factors

Operating Conditions	
Intermittent or seasonal	Sub 0.1
Add for 10–16 hr service	Add 0.2
Add for 16–24 hr service	Add 0.4
Add for each idler	Add 0.2

### Speed-up Drives

For speed-up drives, add to the basic service factor the additional factor given below.

Speed-up Ratio Range	Additional Factor	Speed-up Ratio Range	Additional Factor
1 to 1.24	none	2.50 to 3.49	.30
1.25 to 1.74	.10	3.50 & over	.40
1.75 to 2.49	.20		

### Unusual Conditions

Additional service factors are required for unusual conditions such as load reversal, heavy shock, plugged motor stop, electric brake. These should be determined by a transmission specialist.

### 1b: Basic Service Factors of driveN Machines

driveN Machines	Class I	Class II	Class III
<b>Agitators, Mixers</b>			
liquid	1.2	1.4	1.6
(paddle or propeller) semi-liquid	1.3	1.5	1.7
<b>Bakery Machinery, Dough Mixers</b>	1.2	1.4	1.6
<b>Brick and Clay Machinery</b>			
augers, mixers, granulators	1.4	1.6	1.8
pug mills	1.6	1.8	2.0
<b>Centrifuges</b>	1.5	1.7	-
<b>Compressors</b>			
reciprocating*	1.6	1.8	2.0
centrifugal	1.4	1.5	1.6
<b>Conveyors</b>			
belt, light package; oven	1.1	1.2	1.3
belt: ore, coal, sand	1.2	1.4	1.6
apron, bucket, elevator, pan	1.4	1.6	1.8
flight, screw	1.4	1.6	1.8
<b>Fans, blowers</b>			
Centrifugal, induced			
draft exhausters	1.4	1.6	1.8
propeller, mine fans,			
positive blowers	1.6	1.8	2.0
<b>Generators and Exciters</b>	1.4	1.6	1.8
<b>Hammer Mills</b>	1.5	1.7	1.9
<b>Hoists, Elevators</b>	1.4	1.6	1.8
<b>Laundry Machinery</b>			
general	1.2	1.4	1.6
extractors, washers	1.4	1.6	1.8
<b>Line Shafts</b>	1.2	1.4	1.6
<b>Machine Tools</b>			
drill presses,			
lathes, screw machines	1.2	1.4	1.6
boring mills, grinders	1.3	1.5	1.7
milling machines, shapers	1.3	1.5	1.7
<b>Mills</b>			
ball, rod, pebble, etc	-	1.9	2.1
<b>Paper Machinery</b>			
agitators, calenders, dryers	1.2	1.4	1.6
beaters, jordans, Nash pumps,			
pulpers	1.4	1.6	1.8
<b>Printing Machinery</b>			
presses: newspaper, rotary,			
embossing, flat bed, magazine;			
linotype machines; cutters; folders	1.2	1.4	1.6
<b>Pumps</b>			
centrifugal, gear, rotary, pipeline	1.2	1.4	1.6
reciprocating*	1.7	1.9	2.1
<b>Rubber Plant Machinery</b>	1.4	1.6	1.8
<b>Saw Mill Machinery</b>	1.4	1.6	1.8
<b>Screens</b>			
vibrating (shakers)	1.3	1.5	-
drum, conical	1.2	1.4	-
<b>Textile Machinery</b>			
looms, spinning frames, twisters	1.3	1.5	1.7
warpers, reels	1.2	1.4	-
<b>Woodworking Machinery</b>			
lathes, band saws	1.2	1.3	-
jointer, circular saws, planers	1.2	1.4	-



**DISTRIBUIDOR MEX (55) 53 63 23 31 MTY (81) 83 54 10 18**  
**AUTORIZADO QRO (442) 1 95 72 60 ventas@industrialmagza.com**  
 \* Note: When the driveN sprocket is used as a flywheel to reduce speed fluctuations a specially constructed sprocket may be required. Obtain the WR<sup>2</sup> of the unit and consult TB Wood's Engineering.



## RPM OF FASTEST SHAFT

	1160	1750	3500	100	200	300	400	500	600	800	1000	1400	1600	2000	2400	2800	3200	4000
1	8M	8M	8M	8M	8M	8M	8M	8M	8M	8M	8M	8M	8M	8M	8M	8M	8M	8M
1.5	8M	8M	8M	8M	8M	8M	8M	8M	8M	8M	8M	8M	8M	8M	8M	8M	8M	8M
2	8M	8M	8M	8M	8M	8M	8M	8M	8M	8M	8M	8M	8M	8M	8M	8M	8M	8M
3	8M	8M	8M	8M	8M	8M	8M	8M	8M	8M	8M	8M	8M	8M	8M	8M	8M	8M
5	8M	8M	8M	8M	8M	8M	8M	8M	8M	8M	8M	8M	8M	8M	8M	8M	8M	8M
7.5	8M	8M	8M	14M	8M	8M	8M	8M	8M	8M	8M	8M	8M	8M	8M	8M	8M	8M
10	8M	8M	8M	14M	8M	8M	8M	8M	8M	8M	8M	8M	8M	8M	8M	8M	8M	8M
15	8M	8M	8M	14M	14M	8M	8M	8M	8M	8M	8M	8M	8M	8M	8M	8M	8M	8M
20	8M	8M	8M	14M	14M	14M	8M	8M	8M	8M	8M	8M	8M	8M	8M	8M	8M	8M
25	8M	8M	8M	14M	14M	14M	14M	8M	8M	8M	8M	8M	8M	8M	8M	8M	8M	8M
30	8M	8M	8M	14M	14M	14M	14M	14M	8M	8M	8M	8M	8M	8M	8M	8M	8M	8M
40	8M	8M	8M	14M	14M	14M	14M	14M	14M	8M	8M	8M	8M	8M	8M	8M	8M	8M
50	8M	8M	8M		14M	14M	14M	14M	14M	14M	8M	8M	8M	8M	8M	8M	8M	8M
60	14M	8M	8M		14M	14M	14M	14M	14M	14M	14M	8M	8M	8M	8M	8M	8M	8M
75	14M	8M	8M		14M	14M	14M	14M	14M	14M	14M	14M	14M	8M	8M	8M	8M	8M
100	14M	14M	8M			14M	14M	14M	14M	14M	14M	14M	14M	14M	14M	8M	8M	14M
125	14M	14M	14M				14M	14M	14M	14M	14M	14M	14M	14M	14M	14M	14M	14M
150	14M	14M	14M				14M	14M	14M	14M	14M	14M	14M	14M	14M	14M	14M	14M
200	14M	14M	14M					14M	14M	14M	14M	14M	14M	14M	14M	14M	14M	14M
250	14M	14M	14M						14M	14M	14M	14M	14M	14M	14M	14M	14M	14M
300	14M	14M	14M							14M	14M	14M	14M	14M	14M	14M	14M	14M
350	14M	14M	14M								14M	14M	14M	14M	14M	14M	14M	14M
400	14M	14M										14M	14M	14M	14M	14M	14M	14M

USE MOTOR OR BASIC HORSEPOWER



**DISTRIBUIDOR  
AUTORIZADO**

MEX (55) 53 63 23 31 MTY (81) 83 54 10 18  
QRO (442) 1 95 72 60 ventas@industrialmagza.com



# QT Power Chain

## Drive Selection

### Minimum Recommended Sprocket Pitch Diameters for General Purpose Electric Motors Synchronous Belts

Motor Horsepower	Motor RPM (60 Cycle and 50 Cycle Electric Motors)					
	575 485*	690 575*	870 725*	1160 950*	1750 1425*	3450 2850*
1/2	-	-	2.0	-	-	-
3/4	-	-	2.2	2.0	-	-
1	2.7	2.3	2.2	2.2	2.0	-
1-1/2	2.7	2.7	2.2	2.2	2.2	2.0
2	3.4	2.7	2.7	2.2	2.2	2.2
3	4.1	3.4	2.7	2.7	2.2	2.2
5	4.1	4.1	3.4	2.7	2.7	2.2
7-1/2	4.7	4.1	4.0	3.4	2.7	2.7
10	5.4	4.7	4.0	4.0	3.4	2.7
15	6.1	5.4	4.7	4.0	4.0	3.4
20	7.4	6.1	5.4	4.7	4.0	4.0
25	8.1	7.4	6.1	5.4	4.0	4.0
30	9.0	8.1	6.1	6.1	4.7	-
40	9.0	9.0	7.4	6.1	5.4	-
50	9.9	9.0	7.6	7.4	6.1	-
60	10.8	9.9	9.0	7.2	6.7	-
75	12.6	11.7	8.6	9.0	7.7	-
100	16.2	13.5	10.8	9.0	7.7	-
125	18.0	16.2	13.5	10.8	9.5#	-
150	19.8	18.0	16.2	11.7	9.5	-
200	19.8	19.8	19.8	-	11.9	-
250	19.8	19.8	-	-	-	-
300	24.3	24.3	-	-	-	-

\* Indicates 50 cycle RPM electric motors. # Frame 444T use 8.6.  
Data in the white area is from NEMA Standards MG-1-14-42 of June 1972 and MG-1-14-43 of January 1968. The data in the shaded area is a composite of various motor manufacturers data. They are usually conservative, and a smaller sprocket may be permitted. Consult the motor manufacturer data.

- BELT LENGTH =  $2 \times C + 1.57 \times (D + d) + [(D - d)^2 / (4 \times C)]$


- †CENTER DISTANCE =  $1/2 \times [A - h \times (D - d)]$

WHERE:

C = Center Distance† (in.)      D = P.D. of larger sprocket (in.)  
L = Belt Length (in.)            d = P.D. of smaller sprocket (in.)  
A =  $L - 1.57 \times (D + d)$           h = Factor from chart below

†Center distances must be fixed and rigid.

D - d A	h	D - d A	h	D - d A	h	D - d A	h
0.00	0.00	0.16	0.08	0.30	0.16	0.43	0.24
0.02	0.01	0.18	0.09	0.32	0.17	0.44	0.25
0.04	0.02	0.20	0.10	0.34	0.18	0.46	0.26
0.06	0.03	0.21	0.11	0.35	0.19	0.47	0.27
0.08	0.04	0.23	0.12	0.37	0.20	0.48	0.28
0.10	0.05	0.25	0.13	0.39	0.21	0.50	0.29
0.12	0.06	0.27	0.14	0.40	0.22	0.51	0.30
0.14	0.07	0.29	0.15	0.41	0.23	-	-


**DISTRIBUIDOR AUTORIZADO** MEX (55) 53 63 23 31 MTY (81) 83 54 10 18  
 QRO (442) 1 95 72 60 ventas@industrialmagza.com

### Standard Motor Speed - Reduction or 1:1 Ratio Drives

Example: A 20 HP 1160 RPM NEMA B motor is driving a light package conveyor operating at 515 RPM, 14 hours a day. Motor shaft is 1-7/8" diameter, conveyor shaft is 2", center distance is 30".

Procedure	Example																							
<b>Step #1: Calculate the Design Horsepower</b> DHP = DriveR HP x service factor (page C2-10)	Service factor light package conveyor = 1.2 Adder for 10-16 hours/day = .2 DHP = 20 HP x 1.4 sf = 28																							
<b>Step #2: Choose the Belt Pitch</b> Belt Pitch Selection Guide (page C2-11)	20 HP and 1160 RPM indicates the use of 8M pitch																							
<b>Step #3: Check NEMA recommended minimum sprocket pitch diameter</b> (page C2-12)	NEMA minimum for a 20 HP 1160 RPM motor 4.7" diameter sprocket																							
<b>Step #4: Calculate Speed Ratio</b> Speed Ratio = Faster RPM / Slower RPM	Speed ratio = 1160 RPM / 550 RPM = 2.25																							
<b>Step #5: In the Drive Selection Tables corresponding to the correct belt pitch, locate the drive line with the same ratio. In the event of multiple drive lines, drives using larger diameters are usually more economical.</b>	Drive lines 130, 131, and 132 all are 2.25 ratio. Line 130 and 131: The driver is below NEMA recommended. Use drive line 132.																							
<b>Step #6: Note the following information from the drive line:</b> Number teeth DriveR Number teeth DriveN <b>Actual RPM</b> - Under corresponding motor RPM <b>Raw HP for belt width</b> - Under corresponding motor RPM (When considering belt width, refer to design HP calculation) <b>Select the desired CD</b> - To the right of the RPM and HP <b>Belt Length Factor</b> - Shaded above the CD <b>Belt Length</b> - Column header above the CD	From Line 132 Number teeth DriveR = 64 Number teeth DriveN = 144 DriveN speed @ 516 when DriveR @ 1160 RPM Step #1 the DHP is 28, 22 mm wide = 26.22 hp; 35 mm wide = 41.72 hp CD = 30.6" Belt length factor = 1.3 Belt length = 2400																							
<b>Step #7: Calculate the Corrected HP for the Drive</b> CHP = Raw HP x Belt Length Factor Compare the CHP to the DHP and pick the belt width	22 mm wide - CHP = 26.22 x 1.2 = 31.46 35 mm wide - CHP = 41.72 x 1.2 = 50.06 22 mm meets our DHP and is the belt to use.																							
<b>Step #8: Check the Dynamic Balance recommendations</b> Reference Chart (page C2-9)	OK as standard: W64-8M-22 static balance OK as standard: W144-8M-22 static balance																							
<b>Step #9: Specify drive components</b> Reference component dimensional page for Product Number	<table border="1"> <thead> <tr> <th>Item</th> <th>Product No.</th> <th>Ref. Page</th> </tr> </thead> <tbody> <tr> <td>DR Sprocket:</td> <td>W64-8M-22</td> <td>W648M22</td> <td>C2-3</td> </tr> <tr> <td>DR Bushing:</td> <td>SDS x 1-7/8"</td> <td>SDS178</td> <td>A1-4</td> </tr> <tr> <td>DN Sprocket:</td> <td>W144-8M-22</td> <td>W1448M22</td> <td>C2-3</td> </tr> <tr> <td>DN Bushing:</td> <td>SK x 2"</td> <td>SK2</td> <td>A1-5</td> </tr> <tr> <td>Belt:</td> <td>2400-8M-22W</td> <td>24008M22W</td> <td>C2-7</td> </tr> </tbody> </table>	Item	Product No.	Ref. Page	DR Sprocket:	W64-8M-22	W648M22	C2-3	DR Bushing:	SDS x 1-7/8"	SDS178	A1-4	DN Sprocket:	W144-8M-22	W1448M22	C2-3	DN Bushing:	SK x 2"	SK2	A1-5	Belt:	2400-8M-22W	24008M22W	C2-7
Item	Product No.	Ref. Page																						
DR Sprocket:	W64-8M-22	W648M22	C2-3																					
DR Bushing:	SDS x 1-7/8"	SDS178	A1-4																					
DN Sprocket:	W144-8M-22	W1448M22	C2-3																					
DN Bushing:	SK x 2"	SK2	A1-5																					
Belt:	2400-8M-22W	24008M22W	C2-7																					



**DISTRIBUIDOR AUTORIZADO** MEX (55) 53 63 23 31 MTY (81) 83 54 10 18  
 QRO (442) 1 95 72 60 ventas@industrialmagza.com



# QT Power Chain

## Drive Selection

### Speeds Other than Common Motor Speeds and Speed-up Applications

Example: A 30 HP 1750 RPM NEMA B motor C-face mounted to a 10 : 1 gear reducer with an output of 175 RPM is driving a dough mixer operating at 200 RPM, 8 hours a day.  
Reducer shaft is 2-3/4" diameter, mixer shaft is 2", approximate center distance is 45".

Procedure	Example																		
<b>Step #1: Calculate the Design Horsepower</b> DHP = DriveR HP x service factor (page C2-10)	Service factor dough mixer = 1.4 No adder necessary for 8 hours/day Adder for 1.14 ratio speed-up = none DHP = 30 HP x 1.4 sf = 42																		
<b>Step #2: Choose the Belt Pitch</b> Belt Pitch Selection Guide (page C2-11)	30 HP and 200 RPM indicates the use of 14M pitch																		
<b>Step #3: Check NEMA recommended minimum sprocket pitch diameter</b> (page C2-12)	Does not apply – Driver not a NEMA motor Driver shaft – Reducer																		
<b>Step #4: Calculate Speed Ratio</b> Speed Ratio = Faster RPM / Slower RPM	Speed ratio = 200 RPM / 175 RPM = 1.14																		
<b>Step #5: In the Drive Selection Tables corresponding to the correct belt pitch, locate the drive line with the same ratio. In the event of multiple drive lines, drives using larger diameters are usually more economical.</b>	Drive lines 43 and 44 are both 1.14 ratio. Using the guideline of larger diameter being more economical, use line 44.																		
<b>Step #6: Note the following information from the drive line:</b> Number teeth DriveR Number teeth DriveN <b>Select the desired CD</b> - To the right of the RPM and HP <b>Belt Length Factor</b> - Shaded above the CD <b>Belt Length</b> - Column header above the CD	From Line 44 Number teeth DriveR = 64 Number teeth DriveN = 56 CD = 45.47" Belt length factor = 1.05 Belt length = 3150																		
<b>Step #7: In the HP Rating Tables, following the Drive Selection Tables, locate the proper charts for the belt pitch in use. Locate the number of teeth on the smallest sprocket at the top of the chart and its speed along the left side. At the intersection of these lines will be located the Raw HP of the drive.</b> (When considering belt width, refer to design HP calculation)	Smallest sprocket – 56 tooth Fastest RPM – 200 Step #1 Design HP = 42 65 mm wide – Raw HP = 43.72 90 mm wide – Raw HP = 60.53																		
<b>Step #8: Calculate the Corrected HP for the Drive</b> CHP = Raw HP x Belt Length Factor Compare the CHP to the DHP and pick the belt width	65 mm wide – CHP = 43.72 x 1.05 = 45.91 65 mm meets our DHP and is the belt to use.																		
<b>Step #9: Check the Dynamic Balance recommendations</b> Reference Chart (page C2-9)	OK as standard: W56-14M-65 static balance OK as standard: W64-14M-65 static balance																		
<b>Step #10: Specify drive components</b> Reference component dimensional page for Product Number	<table border="1"> <thead> <tr> <th>Item</th> <th>Product No.</th> <th>Ref. Page</th> </tr> </thead> <tbody> <tr> <td>DR Sprocket:</td> <td>W64-14M-65</td> <td>C2-5</td> </tr> <tr> <td>DR Bushing:</td> <td>F x 2-3/4"</td> <td>A1-5</td> </tr> <tr> <td>DN Sprocket:</td> <td>W56-14M-65</td> <td>C2-5</td> </tr> <tr> <td>DN Bushing:</td> <td>F x 2"</td> <td>A1-5</td> </tr> <tr> <td>Belt:</td> <td>3150-14M-65W</td> <td>C2-7</td> </tr> </tbody> </table>	Item	Product No.	Ref. Page	DR Sprocket:	W64-14M-65	C2-5	DR Bushing:	F x 2-3/4"	A1-5	DN Sprocket:	W56-14M-65	C2-5	DN Bushing:	F x 2"	A1-5	Belt:	3150-14M-65W	C2-7
Item	Product No.	Ref. Page																	
DR Sprocket:	W64-14M-65	C2-5																	
DR Bushing:	F x 2-3/4"	A1-5																	
DN Sprocket:	W56-14M-65	C2-5																	
DN Bushing:	F x 2"	A1-5																	
Belt:	3150-14M-65W	C2-7																	

Drives using MTO sprockets with a non-stock number of teeth follow the same procedure as above. Some interpolation of HP ratings may be necessary. Belt length and center distance can be calculated with the formula on page C2-12.



DISTRIBUIDOR  
AUTORIZADO

MEX (55) 53 63 23 31 MTY (81) 83 54 10 18  
QRO (442) 1 95 72 60 ventas@industrialmagza.com





# QT Power Chain Synchronous 8M

## Drive Selection Tables

Line No.	Drive Ratio	Sprocket Combination				1160 RPM DriveR					1750 RPM DriveR										
		DRIVER		DRIVEN		DN	Horsepower				DN	Horsepower				480	560	600			
		Teeth	PD (in)	Teeth	PD (in)		RPM	12MM	22MM	35MM		60MM	RPM	12MM	22MM				35MM	60MM	
Multiply Horsepower Listed by Length Correction Factor to Find Horsepower Rating -->																					
1	1.00	22	2.206	22	2.206	1160	3.98	7.29	11.60	19.88	1750	5.63	10.32	16.42	28.15	5.98	7.56	8.35			
2	1.00	24	2.406	24	2.406	1160	4.47	8.20	13.04	22.35	1750	6.33	11.60	18.46	31.65	5.67	7.24	8.03			
3	1.00	26	2.607	26	2.607	1160	4.96	9.10	14.48	24.82	1750	7.03	12.88	20.50	35.14	5.35	6.93	7.72			
4	1.00	28	2.807	28	2.807	1160	5.46	10.01	15.92	27.29	1750	7.72	14.16	22.53	38.62	5.04	6.61	7.40			
5	1.00	30	3.008	30	3.008	1160	5.95	10.91	17.36	29.76	1750	8.42	15.44	24.56	42.11	4.72	6.30	7.09			
6	1.00	32	3.208	32	3.208	1160	6.45	11.82	18.80	32.23	1750	9.12	16.72	26.59	45.59	4.41	5.98	6.77			
7	1.00	34	3.409	34	3.409	1160	6.94	12.72	20.24	34.70	1750	9.81	17.99	28.62	49.07	-	5.67	6.46			
8	1.00	36	3.609	36	3.609	1160	7.43	13.63	21.68	37.16	1750	10.51	19.26	30.65	52.54	-	5.35	6.14			
9	1.00	38	3.810	38	3.810	1160	7.93	14.53	23.12	39.63	1750	11.20	20.54	32.67	56.01	-	5.04	5.83			
10	1.00	40	4.010	40	4.010	1160	8.42	15.43	24.55	42.09	1750	11.89	21.81	34.69	59.47	-	-	5.51			
11	1.00	44	4.411	44	4.411	1160	9.40	17.24	27.42	47.01	1750	13.28	24.34	38.72	66.38	-	-	-			
12	1.00	48	4.812	48	4.812	1160	10.38	19.04	30.29	51.92	1750	14.66	26.87	42.74	73.28	-	-	-			
13	1.00	56	5.614	56	5.614	1160	12.35	22.64	36.01	61.73	1750	17.40	31.90	50.74	86.99	-	-	-			
14	1.00	64	6.416	64	6.416	1160	14.30	26.22	41.72	71.51	1750	20.12	36.89	58.68	100.60	-	-	-			
15	1.00	72	7.218	72	7.218	1160	16.25	29.79	47.40	81.25	1750	22.82	41.83	66.55	114.08	-	-	-			
16	1.00	80	8.020	80	8.020	1160	18.19	33.35	53.06	90.96	1750	25.49	46.72	74.33	127.43	-	-	-			
17	1.05	38	3.810	40	4.010	1102	7.93	14.53	23.12	39.63	1662	11.20	20.54	32.67	56.01	-	4.88	5.67			
18	1.06	36	3.609	38	3.810	1099	7.43	13.63	21.68	37.16	1658	10.51	19.26	30.65	52.54	-	5.20	5.98			
19	1.06	34	3.409	36	3.609	1096	6.94	12.72	20.24	34.70	1653	9.81	17.99	28.62	49.07	-	5.51	6.30			
20	1.06	32	3.208	34	3.409	1092	6.45	11.82	18.80	32.23	1647	9.12	16.72	26.59	45.59	4.25	5.83	6.61			
21	1.07	30	3.008	32	3.208	1088	5.95	10.91	17.36	29.76	1641	8.42	15.44	24.56	42.11	4.57	6.14	6.93			
22	1.07	28	2.807	30	3.008	1083	5.46	10.01	15.92	27.29	1633	7.72	14.16	22.53	38.62	4.88	6.46	7.24			
23	1.08	26	2.607	28	2.807	1077	4.96	9.10	14.48	24.82	1625	7.03	12.88	20.50	35.14	5.20	6.77	7.56			
24	1.08	24	2.406	26	2.607	1071	4.47	8.20	13.04	22.35	1615	6.33	11.60	18.46	31.65	5.51	7.09	7.87			
25	1.09	22	2.206	24	2.406	1063	3.98	7.29	11.60	19.88	1604	5.63	10.32	16.42	28.15	5.83	7.40	8.19			
26	1.09	44	4.411	48	4.812	1063	9.40	17.24	27.42	47.01	1604	13.28	24.34	38.72	66.38	-	-	-			
27	1.10	40	4.010	44	4.411	1055	8.42	15.43	24.55	42.09	1591	11.89	21.81	34.69	59.47	-	-	5.19			
28	1.11	36	3.609	40	4.010	1044	7.43	13.63	21.68	37.16	1575	10.51	19.26	30.65	52.54	-	5.04	5.82			
29	1.11	72	7.218	80	8.020	1044	16.25	29.79	47.40	81.25	1575	22.82	41.83	66.55	114.08	-	-	-			
30	1.12	34	3.409	38	3.810	1038	6.94	12.72	20.24	34.70	1566	9.81	17.99	28.62	49.07	-	5.35	6.14			
31	1.13	32	3.208	36	3.609	1031	6.45	11.82	18.80	32.23	1556	9.12	16.72	26.59	45.59	-	5.67	6.45			
32	1.13	64	6.416	72	7.218	1031	14.30	26.22	41.72	71.51	1556	20.12	36.89	58.68	100.60	-	-	-			
33	1.13	80	8.020	90	9.023	1031	18.19	33.35	53.06	90.96	1556	25.49	46.72	74.33	127.43	-	-	-			
34	1.13	30	3.008	34	3.409	1024	5.95	10.91	17.36	29.76	1544	8.42	15.44	24.56	42.11	4.40	5.98	6.77			
35	1.14	28	2.807	32	3.208	1015	5.46	10.01	15.92	27.29	1531	7.72	14.16	22.53	38.62	4.72	6.30	7.08			
36	1.14	56	5.614	64	6.416	1015	12.35	22.64	36.01	61.73	1531	17.40	31.90	50.74	86.99	-	-	-			
37	1.15	26	2.607	30	3.008	1005	4.96	9.10	14.48	24.82	1517	7.03	12.88	20.50	35.14	5.04	6.61	7.40			
38	1.16	38	3.810	44	4.411	1002	7.93	14.53	23.12	39.63	1511	11.20	20.54	32.67	56.01	-	-	5.35			
39	1.17	24	2.406	28	2.807	994	4.47	8.20	13.04	22.35	1500	6.33	11.60	18.46	31.65	5.35	6.93	7.71			
40	1.17	48	4.812	56	5.614	994	10.38	19.04	30.29	51.92	1500	14.66	26.87	42.74	73.28	-	-	-			
41	1.18	34	3.409	40	4.010	986	6.94	12.72	20.24	34.70	1488	9.81	17.99	28.62	49.07	-	5.19	5.98			
42	1.18	22	2.206	26	2.607	982	3.98	7.29	11.60	19.88	1481	5.63	10.32	16.42	28.15	5.67	7.24	8.03			
43	1.19	32	3.208	38	3.810	977	6.45	11.82	18.80	32.23	1474	9.12	16.72	26.59	45.59	-	5.50	6.29			
44	1.20	30	3.008	36	3.609	967	5.95	10.91	17.36	29.76	1458	8.42	15.44	24.56	42.11	4.24	5.82	6.61			
45	1.20	40	4.010	48	4.812	967	8.42	15.43	24.55	42.09	1458	11.89	21.81	34.69	59.47	-	-	-			
46	1.21	28	2.807	34	3.409	955	5.46	10.01	15.92	27.29	1441	7.72	14.16	22.53	38.62	4.56	6.13	6.92			
47	1.22	36	3.609	44	4.411	949	7.43	13.63	21.68	37.16	1432	10.51	19.26	30.65	52.54	-	-	5.50			
48	1.23	26	2.607	32	3.208	942	4.96	9.10	14.48	24.82	1422	7.03	12.88	20.50	35.14	4.87	6.45	7.24			
49	1.25	24	2.406	30	3.008	928	4.47	8.20	13.04	22.35	1412	6.33	11.60	18.46	31.65	4.56	6.13	6.92			
50	1.25	32	3.208	40	4.010	928	6.45	11.82	18.80	32.23	1400	9.12	16.72	26.59	45.59	-	5.34	6.13			
Multiply Horsepower Listed by Length Correction Factor to Find Horsepower Rating -->																					
		0.80		0.80		0.80										0.80		0.80		0.80	

# QT Power Chain Synchronous 8M

## Drive Selection Tables

CENTER DISTANCE																		Line No.
BELT LENGTH - Length Correction Factor																		
640	720	800	880	960	1040	1120	1200	1224	1280	1440	1600	1760	1800	2000	2200	2400	2600	
0.90	0.90	0.90	0.90	1.00	1.00	1.00	1.00	1.00	1.10	1.10	1.10	1.10	1.20	1.20	1.20	1.20	1.20	
9.13	10.71	12.28	13.86	15.43	17.01	18.58	20.16	20.63	21.73	24.88	28.03	31.18	31.97	35.91	39.84	43.78	47.72	1
8.82	10.39	11.97	13.54	15.12	16.69	18.27	19.84	20.31	21.42	24.57	27.72	30.87	31.65	35.59	39.53	43.46	47.40	2
8.50	10.08	11.65	13.23	14.80	16.38	17.95	19.53	20.00	21.10	24.25	27.40	30.55	31.34	35.28	39.21	43.15	47.09	3
8.19	9.76	11.34	12.91	14.49	16.06	17.64	19.21	19.69	20.79	23.94	27.09	30.24	31.02	34.96	38.90	42.83	46.77	4
7.87	9.45	11.02	12.60	14.17	15.75	17.32	18.90	19.37	20.47	23.62	26.77	29.92	30.71	34.65	38.58	42.52	46.46	5
7.56	9.13	10.71	12.28	13.86	15.43	17.01	18.58	19.06	20.16	23.31	26.46	29.61	30.39	34.33	38.27	42.20	46.14	6
7.24	8.82	10.39	11.97	13.54	15.12	16.69	18.27	18.74	19.84	22.99	26.14	29.29	30.08	34.02	37.95	41.89	45.83	7
6.93	8.50	10.08	11.65	13.23	14.80	16.38	17.95	18.43	19.53	22.68	25.83	28.98	29.76	33.70	37.64	41.57	45.51	8
6.61	8.19	9.76	11.34	12.91	14.49	16.06	17.64	18.11	19.21	22.36	25.51	28.66	29.45	33.39	37.32	41.26	45.20	9
6.30	7.87	9.45	11.02	12.60	14.17	15.75	17.32	17.80	18.90	22.05	25.20	28.35	29.13	33.07	37.01	40.94	44.88	10
5.67	7.24	8.82	10.39	11.97	13.54	15.12	16.69	17.17	18.27	21.42	24.57	27.72	28.50	32.44	36.38	40.31	44.25	11
-	6.61	8.19	9.76	11.34	12.91	14.49	16.06	16.54	17.64	20.79	23.94	27.09	27.87	31.81	35.75	39.69	43.62	12
-	-	6.93	8.50	10.08	11.65	13.23	14.80	15.28	16.38	19.53	22.68	25.83	26.61	30.55	34.49	38.43	42.36	13
-	-	-	7.24	8.82	10.39	11.97	13.54	14.02	15.12	18.27	21.42	24.57	25.35	29.29	33.23	37.17	41.10	14
-	-	-	-	-	9.13	10.71	12.28	12.76	13.86	17.01	20.16	23.31	24.09	28.03	31.97	35.91	39.84	15
-	-	-	-	-	-	9.45	11.02	11.50	12.60	15.75	18.90	22.05	22.83	26.77	30.71	34.65	38.58	16
6.46	8.03	9.61	11.18	12.76	14.33	15.91	17.48	17.95	19.05	22.20	25.35	28.50	29.29	33.23	37.17	41.10	45.04	17
6.77	8.35	9.92	11.50	13.07	14.65	16.22	17.79	18.27	19.37	22.52	25.67	28.82	29.61	33.54	37.48	41.42	45.35	18
7.09	8.66	10.24	11.81	13.39	14.96	16.54	18.11	18.58	19.68	22.83	25.98	29.13	29.92	33.86	37.80	41.73	45.67	19
7.40	8.98	10.55	12.13	13.70	15.28	16.85	18.42	18.90	20.00	23.15	26.30	29.45	30.24	34.17	38.11	42.05	45.98	20
7.72	9.29	10.87	12.44	14.02	15.59	17.17	18.74	19.21	20.31	23.46	26.61	29.76	30.55	34.49	38.43	42.36	46.30	21
8.03	9.61	11.18	12.76	14.33	15.91	17.48	19.05	19.53	20.63	23.78	26.93	30.08	30.87	34.80	38.74	42.68	46.61	22
8.35	9.92	11.50	13.07	14.65	16.22	17.79	19.37	19.84	20.94	24.09	27.24	30.39	31.18	35.12	39.05	42.99	46.93	23
8.66	10.24	11.81	13.39	14.96	16.54	18.11	19.68	20.16	21.26	24.41	27.56	30.71	31.50	35.43	39.37	43.31	47.24	24
8.98	10.55	12.13	13.70	15.28	16.85	18.42	20.00	20.47	21.57	24.72	27.87	31.02	31.81	35.75	39.68	43.62	47.56	25
-	6.93	8.50	10.08	11.65	13.23	14.80	16.38	16.85	17.95	21.10	24.25	27.40	28.19	32.13	36.06	40.00	43.94	26
5.98	7.56	9.13	10.71	12.28	13.86	15.43	17.01	17.48	18.58	21.73	24.88	28.03	28.82	32.76	36.69	40.63	44.57	27
6.61	8.19	9.76	11.34	12.91	14.49	16.06	17.64	18.11	19.21	22.36	25.51	28.66	29.45	33.39	37.32	41.26	45.20	28
-	-	-	-	-	8.49	10.07	11.65	12.12	13.22	16.37	19.52	22.67	23.46	27.40	31.34	35.27	39.21	29
6.93	8.50	10.08	11.65	13.23	14.80	16.38	17.95	18.42	19.53	22.68	25.83	28.98	29.76	33.70	37.64	41.57	45.51	30
7.24	8.82	10.39	11.97	13.54	15.12	16.69	18.27	18.74	19.84	22.99	26.14	29.29	30.08	34.02	37.95	41.89	45.83	31
-	-	-	-	8.18	9.76	11.33	12.91	13.38	14.48	17.63	20.78	23.93	24.72	28.66	32.60	36.53	40.47	32
-	-	-	-	-	-	-	10.22	10.70	11.80	14.95	18.10	21.25	22.04	25.98	29.92	33.85	37.79	33
7.56	9.13	10.71	12.28	13.86	15.43	17.01	18.58	19.05	20.16	23.31	26.46	29.61	30.39	34.33	38.27	42.20	46.14	34
7.87	9.45	11.02	12.60	14.17	15.75	17.32	18.90	19.37	20.47	23.62	26.77	29.92	30.71	34.65	38.58	42.52	46.46	35
-	-	-	7.86	9.44	11.02	12.59	14.17	14.64	15.74	18.89	22.04	25.19	25.98	29.92	33.86	37.79	41.73	36
8.19	9.76	11.34	12.91	14.49	16.06	17.64	19.21	19.68	20.79	23.94	27.09	30.24	31.02	34.96	38.90	42.83	46.77	37
6.13	7.71	9.29	10.86	12.44	14.01	15.59	17.16	17.64	18.74	21.89	25.04	28.19	28.97	32.91	36.85	40.79	44.72	38
8.50	10.08	11.65	13.23	14.80	16.38	17.95	19.53	20.00	21.10	24.25	27.40	30.55	31.34	35.28	39.21	43.15	47.09	39
-	5.97	7.55	9.13	10.70	12.28	13.85	15.43	15.90	17.00	20.15	23.30	26.45	27.24	31.18	35.12	39.05	42.99	40
6.76	8.34	9.92	11.49	13.07	14.64	16.22	17.79	18.27	19.37	22.52	25.67	28.82	29.60	33.54	37.48	41.42	45.35	41
8.82	10.39	11.97	13.54	15.12	16.69	18.27	19.84	20.31	21.42	24.57	27.72	30.87	31.65	35.59	39.53	43.46	47.40	42
7.08	8.66	10.23	11.81	13.38	14.96	16.53	18.11	18.58	19.68	22.83	25.98	29.13	29.92	33.86	37.79	41.73	45.67	43
7.40	8.97	10.55	12.12	13.70	15.27	16.85	18.42	18.90	20.00	23.15	26.30	29.45	30.23	34.17	38.11	42.05	45.98	44
5.66	7.23	8.81	10.39	11.96	13.54	15.11	16.69	17.16	18.26	21.41	24.56	27.71	28.50	32.44	36.38	40.31	44.25	45
7.71	9.29	10.86	12.44	14.01	15.59	17.16	18.74	19.21	20.31	23.46	26.61	29.76	30.55	34.49	38.42	42.36	46.30	46
6.29	7.86	9.44	11.02	12.59	14.17	15.74	17.32	17.79	18.89	22.04	25.19	28.34	29.13	33.07	37.01	40.94	44.88	47
8.03	9.60	11.18	12.75	14.33	15.90	17.48	19.05	19.53	20.63	23.78	26.93	30.08	30.86	34.80	38.74	42.68	46.61	48
8.34	9.92	11.49	13.07	14.64	16.22	17.79	19.37	19.84	20.94	24.09	27.24	30.39	31.17	35.11	39.05	42.99	46.93	49
6.92	8.49	10.07	11.65	13.22	14.80	16.37	17.95	18.42	19.52	22.67	25.82	28.97	29.76	33.70	37.64	41.57	45.51	50
0.90	0.90	0.90	0.90	1.00	1.00	1.00	1.00	1.00	1.10	1.10	1.10	1.10	1.20	1.20	1.20	1.20	1.20	



DISTRIBUIDOR AUTORIZADO MEX (55) 53 63 23 31 MTY (81) 83 54 10 18 QRO (442) 1 95 72 60 ventas@industrialmagza.com



# QT Power Chain Synchronous 8M

## Drive Selection Tables

Line No.	Drive Ratio	Sprocket Combination				1160 RPM DriveR					1750 RPM DriveR							
		DRIVER		DRIVEN		DN RPM	Horsepower				DN RPM	Horsepower				480	560	600
		Teeth	PD (in)	Teeth	PD (in)		12MM	22MM	35MM	60MM		12MM	22MM	35MM	60MM			
Multiply Horsepower Listed by Length Correction Factor to Find Horsepower Rating -->																		
51	1.25	64	6.416	80	8.020	928	14.30	26.22	41.72	71.51	1400	20.12	36.89	58.68	100.60	-	-	-
52	1.25	72	7.218	90	9.023	928	16.25	29.79	47.40	81.25	1400	22.82	41.83	66.55	114.08	-	-	-
53	1.26	38	3.810	48	4.812	918	7.93	14.53	23.12	39.63	1385	11.20	20.54	32.67	56.01	-	-	-
54	1.27	30	3.008	38	3.810	916	5.95	10.91	17.36	29.76	1382	8.42	15.44	24.56	42.11	-	5.66	6.44
55	1.27	22	2.206	28	2.807	911	3.98	7.29	11.60	19.88	1375	5.63	10.32	16.42	28.15	5.50	7.08	7.87
56	1.27	44	4.411	56	5.614	911	9.40	17.24	27.42	47.01	1375	13.28	24.34	38.72	66.38	-	-	-
57	1.29	28	2.807	36	3.609	902	5.46	10.01	15.92	27.29	1361	7.72	14.16	22.53	38.62	4.39	5.97	6.76
58	1.29	56	5.614	72	7.218	902	12.35	22.64	36.01	61.73	1361	17.40	31.90	50.74	86.99	-	-	-
59	1.29	34	3.409	44	4.411	896	6.94	12.72	20.24	34.70	1352	9.81	17.99	28.62	49.07	-	4.86	5.65
60	1.31	26	2.607	34	3.409	887	4.96	9.10	14.48	24.82	1338	7.03	12.88	20.50	35.14	4.71	6.29	7.08
61	1.33	24	2.406	32	3.208	870	4.47	8.20	13.04	22.35	1312	6.33	11.60	18.46	31.65	5.02	6.60	7.39
62	1.33	30	3.008	40	4.010	870	5.95	10.91	17.36	29.76	1312	8.42	15.44	24.56	42.11	-	5.49	6.28
63	1.33	36	3.609	48	4.812	870	7.43	13.63	21.68	37.16	1312	10.51	19.26	30.65	52.54	-	-	5.16
64	1.33	48	4.812	64	6.416	870	10.38	19.04	30.29	51.92	1312	14.66	26.87	42.74	73.28	-	-	-
65	1.36	28	2.807	38	3.810	855	5.46	10.01	15.92	27.29	1289	7.72	14.16	22.53	38.62	4.22	5.81	6.60
66	1.36	22	2.206	30	3.008	851	3.98	7.29	11.60	19.88	1283	5.63	10.32	16.42	28.15	5.34	6.92	7.71
67	1.38	32	3.208	44	4.411	844	6.45	11.82	18.80	32.23	1273	9.12	16.72	26.59	45.59	-	5.00	5.80
68	1.38	26	2.607	36	3.609	838	4.96	9.10	14.48	24.82	1264	7.03	12.88	20.50	35.14	4.54	6.12	6.91
69	1.40	40	4.010	56	5.614	829	8.42	15.43	24.55	42.09	1250	11.89	21.81	34.69	59.47	-	-	-
70	1.40	80	8.020	112	11.229	829	18.19	33.35	53.06	90.96	1250	25.49	46.72	74.33	127.43	-	-	-
71	1.41	64	6.416	90	9.023	825	14.30	26.22	41.72	71.51	1244	20.12	36.89	58.68	100.60	-	-	-
72	1.41	34	3.409	48	4.812	822	6.94	12.72	20.24	34.70	1240	9.81	17.99	28.62	49.07	-	-	5.31
73	1.42	24	2.406	34	3.409	819	4.47	8.20	13.04	22.35	1235	6.33	11.60	18.46	31.65	4.86	6.44	7.23
74	1.43	28	2.807	40	4.010	812	5.46	10.01	15.92	27.29	1225	7.72	14.16	22.53	38.62	-	5.64	6.43
75	1.43	56	5.614	80	8.020	812	12.35	22.64	36.01	61.73	1225	17.40	31.90	50.74	86.99	-	-	-
76	1.45	22	2.206	32	3.208	798	3.98	7.29	11.60	19.88	1203	5.63	10.32	16.42	28.15	5.17	6.75	7.54
77	1.45	44	4.411	64	6.416	798	9.40	17.24	27.42	47.01	1203	13.28	24.34	38.72	66.38	-	-	-
78	1.46	26	2.607	38	3.810	794	4.96	9.10	14.48	24.82	1197	7.03	12.88	20.50	35.14	4.37	5.95	6.74
79	1.47	30	3.008	44	4.411	791	5.95	10.91	17.36	29.76	1193	8.42	15.44	24.56	42.11	-	5.15	5.94
80	1.47	38	3.810	56	5.614	787	7.93	14.53	23.12	39.63	1188	11.20	20.54	32.67	56.01	-	-	-
81	1.50	24	2.406	36	3.609	773	4.47	8.20	13.04	22.35	1167	6.33	11.60	18.46	31.65	4.69	6.27	7.06
82	1.50	32	3.208	48	4.812	773	6.45	11.82	18.80	32.23	1167	9.12	16.72	26.59	45.59	-	-	5.45
83	1.50	48	4.812	72	7.218	773	10.38	19.04	30.29	51.92	1167	14.66	26.87	42.74	73.28	-	-	-
84	1.54	26	2.607	40	4.010	754	4.96	9.10	14.48	24.82	1138	7.03	12.88	20.50	35.14	4.19	5.78	6.58
85	1.55	22	2.206	34	3.409	751	3.98	7.29	11.60	19.88	1132	5.63	10.32	16.42	28.15	5.00	6.59	7.38
86	1.56	36	3.609	56	5.614	746	7.43	13.63	21.68	37.16	1125	10.51	19.26	30.65	52.54	-	-	-
87	1.56	72	7.218	112	11.229	746	16.25	29.79	47.40	81.25	1125	22.82	41.83	66.55	114.08	-	-	-
88	1.57	28	2.807	44	4.411	738	5.46	10.01	15.92	27.29	1114	7.72	14.16	22.53	38.62	-	5.29	6.09
89	1.58	24	2.406	38	3.810	733	4.47	8.20	13.04	22.35	1105	6.33	11.60	18.46	31.65	4.51	6.10	6.89
90	1.60	30	3.008	48	4.812	725	5.95	10.91	17.36	29.76	1094	8.42	15.44	24.56	42.11	-	4.80	5.60
91	1.60	40	4.010	64	6.416	725	8.42	15.43	24.55	42.09	1094	11.89	21.81	34.69	59.47	-	-	-
92	1.61	56	5.614	90	9.023	722	12.35	22.64	36.01	61.73	1089	17.40	31.90	50.74	86.99	-	-	-
93	1.64	22	2.206	36	3.609	709	3.98	7.29	11.60	19.88	1069	5.63	10.32	16.42	28.15	4.83	6.42	7.21
94	1.64	44	4.411	72	7.218	709	9.40	17.24	27.42	47.01	1069	13.28	24.34	38.72	66.38	-	-	-
95	1.65	34	3.409	56	5.614	704	6.94	12.72	20.24	34.70	1062	9.81	17.99	28.62	49.07	-	-	-
96	1.67	24	2.406	40	4.010	696	4.47	8.20	13.04	22.35	1050	6.33	11.60	18.46	31.65	4.34	5.93	6.72
97	1.67	48	4.812	80	8.020	696	10.38	19.04	30.29	51.92	1050	14.66	26.87	42.74	73.28	-	-	-
98	1.68	38	3.810	64	6.416	689	7.93	14.53	23.12	39.63	1039	11.20	20.54	32.67	56.01	-	-	-
99	1.69	26	2.607	44	4.411	685	4.96	9.10	14.48	24.82	1032	7.03	12.88	20.50	35.14	-	-	6.23
100	1.71	28	2.807	48	4.812	677	5.46	10.01	15.92	27.29	1021	7.72	14.16	22.53	38.62	-	4.94	5.74
Multiply Horsepower Listed by Length Correction Factor to Find Horsepower Rating -->																		
															0.80	0.80	0.80	



# QT Power Chain Synchronous 8M

## Drive Selection Tables

CENTER DISTANCE																	Line No.	
BELT LENGTH - Length Correction Factor																		
640	720	800	880	960	1040	1120	1200	1224	1280	1440	1600	1760	1800	2000	2200	2400		2600
0.90	0.90	0.90	0.90	1.00	1.00	1.00	1.00	1.00	1.10	1.10	1.10	1.10	1.20	1.20	1.20	1.20	1.20	
-	-	-	-	-	9.10	10.68	12.26	12.73	13.83	16.99	20.14	23.29	24.08	28.02	31.96	35.90	39.83	51
-	-	-	-	-	-	9.25	10.83	11.30	12.41	15.56	18.72	21.87	22.66	26.60	30.54	34.48	38.41	52
5.81	7.38	8.96	10.54	12.12	13.69	15.27	16.84	17.32	18.42	21.57	24.72	27.87	28.66	32.59	36.53	40.47	44.41	53
7.23	8.81	10.39	11.96	13.54	15.11	16.69	18.26	18.74	19.84	22.99	26.14	29.29	30.08	34.01	37.95	41.89	45.83	54
8.66	10.23	11.81	13.38	14.96	16.53	18.11	19.68	20.16	21.26	24.41	27.56	30.71	31.49	35.43	39.37	43.31	47.24	55
-	6.27	7.85	9.43	11.01	12.58	14.16	15.74	16.21	17.31	20.46	23.61	26.76	27.55	31.49	35.43	39.37	43.30	56
7.55	9.13	10.70	12.28	13.85	15.43	17.00	18.58	19.05	20.15	23.30	26.45	29.60	30.39	34.33	38.27	42.20	46.14	57
-	-	-	7.20	8.78	10.36	11.94	13.52	13.99	15.10	18.25	21.40	24.55	25.34	29.28	33.22	37.16	41.09	58
6.44	8.02	9.59	11.17	12.75	14.32	15.90	17.47	17.95	19.05	22.20	25.35	28.50	29.29	33.22	37.16	41.10	45.04	59
7.86	9.44	11.02	12.59	14.17	15.74	17.32	18.89	19.37	20.47	23.62	26.77	29.92	30.71	34.64	38.58	42.52	46.45	60
8.18	9.76	11.33	12.91	14.48	16.06	17.63	19.21	19.68	20.78	23.93	27.08	30.23	31.02	34.96	38.90	42.83	46.77	61
7.07	8.65	10.22	11.80	13.38	14.95	16.53	18.10	18.58	19.68	22.83	25.98	29.13	29.92	33.85	37.79	41.73	45.67	62
5.95	7.54	9.11	10.69	12.27	13.85	15.42	17.00	17.47	18.57	21.72	24.87	28.03	28.81	32.75	36.69	40.63	44.56	63
-	-	6.88	8.47	10.05	11.63	13.20	14.78	15.25	16.36	19.51	22.66	25.81	26.60	30.54	34.48	38.42	42.35	64
7.38	8.96	10.54	12.12	13.69	15.27	16.84	18.42	18.89	19.99	23.14	26.29	29.44	30.23	34.17	38.11	42.04	45.98	65
8.49	10.07	11.65	13.22	14.80	16.37	17.95	19.52	20.00	21.10	24.25	27.40	30.55	31.34	35.27	39.21	43.15	47.08	66
6.59	8.17	9.75	11.32	12.90	14.48	16.05	17.63	18.10	19.20	22.35	25.50	28.66	29.44	33.38	37.32	41.26	45.19	67
7.70	9.28	10.85	12.43	14.01	15.58	17.16	18.73	19.21	20.31	23.46	26.61	29.76	30.55	34.48	38.42	42.36	46.30	68
-	6.57	8.15	9.73	11.31	12.89	14.47	16.04	16.52	17.62	20.77	23.92	27.07	27.86	31.80	35.74	39.68	43.61	69
-	-	-	-	-	-	-	-	-	-	13.13	16.30	19.46	20.25	24.20	28.14	32.09	36.03	70
-	-	-	-	-	-	9.83	11.42	11.90	13.01	16.17	19.33	22.48	23.27	27.21	31.15	35.09	39.03	71
6.10	7.68	9.26	10.84	12.42	14.00	15.57	17.15	17.62	18.73	21.88	25.03	28.18	28.97	32.91	36.84	40.78	44.72	72
8.02	9.59	11.17	12.75	14.32	15.90	17.47	19.05	19.52	20.62	23.77	26.92	30.07	30.86	34.80	38.74	42.67	46.61	73
7.22	8.80	10.38	11.95	13.53	15.11	16.68	18.26	18.73	19.83	22.98	26.13	29.29	30.07	34.01	37.95	41.89	45.82	74
-	-	-	-	8.10	9.69	11.27	12.86	13.33	14.44	17.60	20.75	23.91	24.70	28.64	32.58	36.52	40.45	75
8.33	9.91	11.49	13.06	14.64	16.21	17.79	19.36	19.84	20.94	24.09	27.24	30.39	31.18	35.11	39.05	42.99	46.93	76
-	-	7.17	8.76	10.35	11.93	13.51	15.08	15.56	16.66	19.82	22.97	26.12	26.91	30.85	34.79	38.73	42.67	77
7.54	9.11	10.69	12.27	13.85	15.42	17.00	18.57	19.05	20.15	23.30	26.45	29.60	30.39	34.33	38.26	42.20	46.14	78
6.74	8.32	9.90	11.47	13.05	14.63	16.21	17.78	18.25	19.36	22.51	25.66	28.81	29.60	33.54	37.47	41.41	45.35	79
-	6.71	8.30	9.88	11.46	13.04	14.62	16.20	16.67	17.77	20.93	24.08	27.23	28.02	31.96	35.89	39.83	43.77	80
7.85	9.43	11.01	12.58	14.16	15.74	17.31	18.89	19.36	20.46	23.61	26.76	29.92	30.70	34.64	38.58	42.52	46.45	81
6.25	7.83	9.41	10.99	12.57	14.15	15.73	17.30	17.78	18.88	22.03	25.18	28.34	29.12	33.06	37.00	40.94	44.87	82
-	-	-	7.78	9.37	10.96	12.54	14.12	14.60	15.70	18.86	22.01	25.17	25.96	29.90	33.84	37.78	41.71	83
7.37	8.95	10.53	12.11	13.68	15.26	16.84	18.41	18.88	19.99	23.14	26.29	29.44	30.23	34.17	38.10	42.04	45.98	84
8.17	9.75	11.32	12.90	14.48	16.05	17.63	19.20	19.68	20.78	23.93	27.08	30.23	31.02	34.96	38.89	42.83	46.77	85
-	6.86	8.44	10.03	11.61	13.19	14.77	16.35	16.82	17.92	21.08	24.23	27.38	28.17	32.11	36.05	39.99	43.93	86
-	-	-	-	-	-	-	-	-	10.52	13.71	16.89	20.06	20.85	24.80	28.75	32.69	36.64	87
6.88	8.47	10.05	11.63	13.20	14.78	16.36	17.93	18.41	19.51	22.66	25.81	28.97	29.75	33.69	37.63	41.57	45.50	88
7.68	9.26	10.84	12.42	14.00	15.57	17.15	18.73	19.20	20.30	23.45	26.60	29.76	30.54	34.48	38.42	42.36	46.29	89
6.39	7.98	9.56	11.14	12.72	14.30	15.88	17.46	17.93	19.03	22.19	25.34	28.49	29.28	33.22	37.15	41.09	45.03	90
-	-	7.46	9.05	10.64	12.22	13.81	15.39	15.86	16.97	20.12	23.28	26.43	27.22	31.16	35.10	39.04	42.98	91
-	-	-	-	-	8.81	10.41	12.00	12.48	13.59	16.76	19.93	23.09	23.88	27.82	31.77	35.71	39.65	92
8.00	9.58	11.16	12.74	14.31	15.89	17.47	19.04	19.51	20.62	23.77	26.92	30.07	30.86	34.80	38.73	42.67	46.61	93
-	-	-	8.07	9.66	11.25	12.84	14.42	14.89	16.00	19.16	22.32	25.47	26.26	30.20	34.14	38.08	42.02	94
5.40	7.00	8.59	10.18	11.76	13.34	14.92	16.50	16.97	18.08	21.23	24.38	27.54	28.32	32.26	36.20	40.14	44.08	95
7.52	9.10	10.68	12.26	13.84	15.41	16.99	18.57	19.04	20.14	23.29	26.44	29.60	30.38	34.32	38.26	42.20	46.13	96
-	-	-	-	8.67	10.27	11.86	13.45	13.92	15.03	18.20	21.36	24.51	25.30	29.25	33.19	37.13	41.07	97
-	6.00	7.60	9.20	10.79	12.37	13.95	15.54	16.01	17.12	20.27	23.43	26.58	27.37	31.31	35.25	39.19	43.13	98
7.03	8.61	10.20	11.78	13.36	14.93	16.51	18.09	18.56	19.67	22.82	25.97	29.12	29.91	33.85	37.79	41.73	45.67	99
6.54	8.13	9.71	11.29	12.87	14.45	16.03	17.61	18.08	19.19	22.34	25.49	28.64	29.43	33.37	37.31	41.25	45.19	100
<b>0.90</b>	<b>0.90</b>	<b>0.90</b>	<b>0.90</b>	<b>1.00</b>	<b>1.00</b>	<b>1.00</b>	<b>1.00</b>	<b>1.00</b>	<b>1.10</b>	<b>1.10</b>	<b>1.10</b>	<b>1.10</b>	<b>1.20</b>	<b>1.20</b>	<b>1.20</b>	<b>1.20</b>	<b>1.20</b>	



DISTRIBUIDOR AUTORIZADO MEX (55) 53 63 23 31 MTY (81) 83 54 10 18 QRO (442) 2 95 72 60 ventas@industrialmagza.com



# QT Power Chain Synchronous 8M

## Drive Selection Tables

Line No.	Drive Ratio	Sprocket Combination				1160 RPM DriveR					1750 RPM DriveR					560	600
		DRIVER		DRIVEN		DN RPM	Horsepower				DN RPM	Horsepower					
		Teeth	PD (in)	Teeth	PD (in)		12MM	22MM	35MM	60MM		12MM	22MM	35MM	60MM		
Multiply Horsepower Listed by Length Correction Factor to Find Horsepower Rating -->																	
101	1.73	22	2.206	38	3.810	672	3.98	7.29	11.60	19.88	1013	5.63	10.32	16.42	28.15	6.25	7.04
102	1.75	32	3.208	56	5.614	663	6.45	11.82	18.80	32.23	1000	9.12	16.72	26.59	45.59	-	-
103	1.75	64	6.416	112	11.229	663	14.30	26.22	41.72	71.51	1000	20.12	36.89	58.68	100.60	-	-
104	1.78	36	3.609	64	6.416	652	7.43	13.63	21.68	37.16	984	10.51	19.26	30.65	52.54	-	-
105	1.80	40	4.010	72	7.218	644	8.42	15.43	24.55	42.09	972	11.89	21.81	34.69	59.47	-	-
106	1.80	80	8.020	144	14.437	644	18.19	33.35	53.06	90.96	972	25.49	46.72	74.33	127.43	-	-
107	1.82	22	2.206	40	4.010	638	3.98	7.29	11.60	19.88	962	5.63	10.32	16.42	28.15	6.07	6.87
108	1.82	44	4.411	80	8.020	638	9.40	17.24	27.42	47.01	962	13.28	24.34	38.72	66.38	-	-
109	1.83	24	2.406	44	4.411	633	4.47	8.20	13.04	22.35	955	6.33	11.60	18.46	31.65	5.58	6.38
110	1.85	26	2.607	48	4.812	628	4.96	9.10	14.48	24.82	948	7.03	12.88	20.50	35.14	5.08	5.88
111	1.87	30	3.008	56	5.614	621	5.95	10.91	17.36	29.76	938	8.42	15.44	24.56	42.11	-	-
112	1.88	48	4.812	90	9.023	619	10.38	19.04	30.29	51.92	933	14.66	26.87	42.74	73.28	-	-
113	1.88	34	3.409	64	6.416	616	6.94	12.72	20.24	34.70	930	9.81	17.99	28.62	49.07	-	-
114	1.89	38	3.810	72	7.218	612	7.93	14.53	23.12	39.63	924	11.20	20.54	32.67	56.01	-	-
115	2.00	22	2.206	44	4.411	580	3.98	7.29	11.60	19.88	875	5.63	10.32	16.42	28.15	5.72	6.52
116	2.00	24	2.406	48	4.812	580	4.47	8.20	13.04	22.35	875	6.33	11.60	18.46	31.65	5.22	6.02
117	2.00	28	2.807	56	5.614	580	5.46	10.01	15.92	27.29	875	7.72	14.16	22.53	38.62	-	5.00
118	2.00	32	3.208	64	6.416	580	6.45	11.82	18.80	32.23	875	9.12	16.72	26.59	45.59	-	-
119	2.00	36	3.609	72	7.218	580	7.43	13.63	21.68	37.16	875	10.51	19.26	30.65	52.54	-	-
120	2.00	40	4.010	80	8.020	580	8.42	15.43	24.55	42.09	875	11.89	21.81	34.69	59.47	-	-
121	2.00	56	5.614	112	11.229	580	12.35	22.64	36.01	61.73	875	17.40	31.90	50.74	86.99	-	-
122	2.00	72	7.218	144	14.437	580	16.25	29.79	47.40	81.25	875	22.82	41.83	66.55	114.08	-	-
123	2.05	44	4.411	90	9.023	567	9.40	17.24	27.42	47.01	856	13.28	24.34	38.72	66.38	-	-
124	2.11	38	3.810	80	8.020	551	7.93	14.53	23.12	39.63	831	11.20	20.54	32.67	56.01	-	-
125	2.12	34	3.409	72	7.218	548	6.94	12.72	20.24	34.70	826	9.81	17.99	28.62	49.07	-	-
126	2.13	30	3.008	64	6.416	544	5.95	10.91	17.36	29.76	820	8.42	15.44	24.56	42.11	-	-
127	2.15	26	2.607	56	5.614	539	4.96	9.10	14.48	24.82	812	7.03	12.88	20.50	35.14	-	5.13
128	2.18	22	2.206	48	4.812	532	3.98	7.29	11.60	19.88	802	5.63	10.32	16.42	28.15	5.35	6.16
129	2.22	36	3.609	80	8.020	522	7.43	13.63	21.68	37.16	788	10.51	19.26	30.65	52.54	-	-
130	2.25	32	3.208	72	7.218	516	6.45	11.82	18.80	32.23	778	9.12	16.72	26.59	45.59	-	-
131	2.25	40	4.010	90	9.023	516	8.42	15.43	24.55	42.09	778	11.89	21.81	34.69	59.47	-	-
132	2.25	64	6.416	144	14.437	516	14.30	26.22	41.72	71.51	778	20.12	36.89	58.68	100.60	-	-
133	2.29	28	2.807	64	6.416	508	5.46	10.01	15.92	27.29	766	7.72	14.16	22.53	38.62	-	-
134	2.33	24	2.406	56	5.614	497	4.47	8.20	13.04	22.35	750	6.33	11.60	18.46	31.65	-	5.27
135	2.33	48	4.812	112	11.229	497	10.38	19.04	30.29	51.92	750	14.66	26.87	42.74	73.28	-	-
136	2.35	34	3.409	80	8.020	493	6.94	12.72	20.24	34.70	744	9.81	17.99	28.62	49.07	-	-
137	2.37	38	3.810	90	9.023	490	7.93	14.53	23.12	39.63	739	11.20	20.54	32.67	56.01	-	-
138	2.40	30	3.008	72	7.218	483	5.95	10.91	17.36	29.76	729	8.42	15.44	24.56	42.11	-	-
139	2.40	80	8.020	192	19.249	483	18.19	33.35	53.06	90.96	729	25.49	46.72	74.33	127.43	-	-
140	2.46	26	2.607	64	6.416	471	4.96	9.10	14.48	24.82	711	7.03	12.88	20.50	35.14	-	-
141	2.50	32	3.208	80	8.020	464	6.45	11.82	18.80	32.23	700	9.12	16.72	26.59	45.59	-	-
142	2.50	36	3.609	90	9.023	464	7.43	13.63	21.68	37.16	700	10.51	19.26	30.65	52.54	-	-
143	2.55	22	2.206	56	5.614	456	3.98	7.29	11.60	19.88	688	5.63	10.32	16.42	28.15	-	5.40
144	2.55	44	4.411	112	11.229	456	9.40	17.24	27.42	47.01	688	13.28	24.34	38.72	66.38	-	-
145	2.57	28	2.807	72	7.218	451	5.46	10.01	15.92	27.29	681	7.72	14.16	22.53	38.62	-	-
146	2.57	56	5.614	144	14.437	451	12.35	22.64	36.01	61.73	681	17.40	31.90	50.74	86.99	-	-
147	2.65	34	3.409	90	9.023	438	6.94	12.72	20.24	34.70	661	9.81	17.99	28.62	49.07	-	-
148	2.67	24	2.406	64	6.416	435	4.47	8.20	13.04	22.35	656	6.33	11.60	18.46	31.65	-	-
149	2.67	30	3.008	80	8.020	435	5.95	10.91	17.36	29.76	656	8.42	15.44	24.56	42.11	-	-
150	2.67	72	7.218	192	19.249	435	16.25	29.79	47.40	81.25	656	22.82	41.83	66.55	114.08	-	-
Multiply Horsepower Listed by Length Correction Factor to Find Horsepower Rating -->																	
0.80 0.80																	




DISTRIBUIDOR AUTORIZADO MEX (55) 53 63 23 31 MTY (81) 83 54 10 18 QRO (442) 1 95 72 60 ventas@industrialmagza.com



# QT Power Chain Synchronous 8M

## Drive Selection Tables


Line No.	Drive Ratio	Sprocket Combination				1160 RPM DriveR					1750 RPM DriveR							
		DRIVER		DRIVEN		DN RPM	Horsepower				DN RPM	Horsepower				720	800	880
		Teeth	PD (in)	Teeth	PD (in)		12MM	22MM	35MM	60MM		12MM	22MM	35MM	60MM			
Multiply Horsepower Listed by Length Correction Factor to Find Horsepower Rating -->																		
151	2.77	26	2.607	72	7.218	419	4.96	9.10	14.48	24.82	632	7.03	12.88	20.50	35.14	6.01	7.69	9.32
152	2.80	40	4.010	112	11.229	414	8.42	15.43	24.55	42.09	625	11.89	21.81	34.69	59.47	-	-	-
153	2.81	32	3.208	90	9.023	412	6.45	11.82	18.80	32.23	622	9.12	16.72	26.59	45.59	-	-	7.12
154	2.86	28	2.807	80	8.020	406	5.46	10.01	15.92	27.29	612	7.72	14.16	22.53	38.62	-	6.74	8.42
155	2.91	22	2.206	64	6.416	399	3.98	7.29	11.60	19.88	602	5.63	10.32	16.42	28.15	7.09	8.72	10.34
156	2.95	38	3.810	112	11.229	394	7.93	14.53	23.12	39.63	594	11.20	20.54	32.67	56.01	-	-	-
157	3.00	24	2.406	72	7.218	387	4.47	8.20	13.04	22.35	583	6.33	11.60	18.46	31.65	6.14	7.82	9.46
158	3.00	30	3.008	90	9.023	387	5.95	10.91	17.36	29.76	583	8.42	15.44	24.56	42.11	-	-	7.25
159	3.00	48	4.812	144	14.437	387	10.38	19.04	30.29	51.92	583	14.66	26.87	42.74	73.28	-	-	-
160	3.00	64	6.416	192	19.249	387	14.30	26.22	41.72	71.51	583	20.12	36.89	58.68	100.60	-	-	-
161	3.08	26	2.607	80	8.020	377	4.96	9.10	14.48	24.82	569	7.03	12.88	20.50	35.14	-	6.87	8.55
162	3.11	36	3.609	112	11.229	373	7.43	13.63	21.68	37.16	562	10.51	19.26	30.65	52.54	-	-	-
163	3.21	28	2.807	90	9.023	361	5.46	10.01	15.92	27.29	544	7.72	14.16	22.53	38.62	-	-	7.38
164	3.27	22	2.206	72	7.218	354	3.98	7.29	11.60	19.88	535	5.63	10.32	16.42	28.15	6.27	7.95	9.59
165	3.27	44	4.411	144	14.437	354	9.40	17.24	27.42	47.01	535	13.28	24.34	38.72	66.38	-	-	-
166	3.29	34	3.409	112	11.229	352	6.94	12.72	20.24	34.70	531	9.81	17.99	28.62	49.07	-	-	-
167	3.33	24	2.406	80	8.020	348	4.47	8.20	13.04	22.35	525	6.33	11.60	18.46	31.65	-	7.00	8.68
168	3.43	56	5.614	192	19.249	338	12.35	22.64	36.01	61.73	510	17.40	31.90	50.74	86.99	-	-	-
169	3.46	26	2.607	90	9.023	335	4.96	9.10	14.48	24.82	506	7.03	12.88	20.50	35.14	-	-	7.50
170	3.50	32	3.208	112	11.229	331	6.45	11.82	18.80	32.23	500	9.12	16.72	26.59	45.59	-	-	-
171	3.60	40	4.010	144	14.437	322	8.42	15.43	24.55	42.09	486	11.89	21.81	34.69	59.47	-	-	-
172	3.64	22	2.206	80	8.020	319	3.98	7.29	11.60	19.88	481	5.63	10.32	16.42	28.15	-	7.12	8.81
173	3.73	30	3.008	112	11.229	311	5.95	10.91	17.36	29.76	469	8.42	15.44	24.56	42.11	-	-	-
174	3.75	24	2.406	90	9.023	309	4.47	8.20	13.04	22.35	467	6.33	11.60	18.46	31.65	-	-	7.63
175	3.79	38	3.810	144	14.437	306	7.93	14.53	23.12	39.63	462	11.20	20.54	32.67	56.01	-	-	-
176	4.00	28	2.807	112	11.229	290	5.46	10.01	15.92	27.29	438	7.72	14.16	22.53	38.62	-	-	-
177	4.00	36	3.609	144	14.437	290	7.43	13.63	21.68	37.16	438	10.51	19.26	30.65	52.54	-	-	-
178	4.00	48	4.812	192	19.249	290	10.38	19.04	30.29	51.92	438	14.66	26.87	42.74	73.28	-	-	-
179	4.09	22	2.206	90	9.023	284	3.98	7.29	11.60	19.88	428	5.63	10.32	16.42	28.15	-	-	7.75
180	4.24	34	3.409	144	14.437	274	6.94	12.72	20.24	34.70	413	9.81	17.99	28.62	49.07	-	-	-
181	4.31	26	2.607	112	11.229	269	4.96	9.10	14.48	24.82	406	7.03	12.88	20.50	35.14	-	-	-
182	4.36	44	4.411	192	19.249	266	9.40	17.24	27.42	47.01	401	13.28	24.34	38.72	66.38	-	-	-
183	4.50	32	3.208	144	14.437	258	6.45	11.82	18.80	32.23	389	9.12	16.72	26.59	45.59	-	-	-
184	4.67	24	2.406	112	11.229	249	4.47	8.20	13.04	22.35	375	6.33	11.60	18.46	31.65	-	-	-
185	4.80	30	3.008	144	14.437	242	5.95	10.91	17.36	29.76	365	8.42	15.44	24.56	42.11	-	-	-
186	4.80	40	4.010	192	19.249	242	8.42	15.43	24.55	42.09	365	11.89	21.81	34.69	59.47	-	-	-
187	5.05	38	3.810	192	19.249	230	7.93	14.53	23.12	39.63	346	11.20	20.54	32.67	56.01	-	-	-
188	5.09	22	2.206	112	11.229	228	3.98	7.29	11.60	19.88	344	5.63	10.32	16.42	28.15	-	-	-
189	5.14	28	2.807	144	14.437	226	5.46	10.01	15.92	27.29	340	7.72	14.16	22.53	38.62	-	-	-
190	5.33	36	3.609	192	19.249	218	7.43	13.63	21.68	37.16	328	10.51	19.26	30.65	52.54	-	-	-
191	5.54	26	2.607	144	14.437	209	4.96	9.10	14.48	24.82	316	7.03	12.88	20.50	35.14	-	-	-
192	5.65	34	3.409	192	19.249	205	6.94	12.72	20.24	34.70	310	9.81	17.99	28.62	49.07	-	-	-
193	6.00	24	2.406	144	14.437	193	4.47	8.20	13.04	22.35	292	6.33	11.60	18.46	31.65	-	-	-
194	6.00	32	3.208	192	19.249	193	6.45	11.82	18.80	32.23	292	9.12	16.72	26.59	45.59	-	-	-
195	6.40	30	3.008	192	19.249	181	5.95	10.91	17.36	29.76	273	8.42	15.44	24.56	42.11	-	-	-
196	6.55	22	2.206	144	14.437	177	3.98	7.29	11.60	19.88	267	5.63	10.32	16.42	28.15	-	-	-
197	6.86	28	2.807	192	19.249	169	5.46	10.01	15.92	27.29	255	7.72	14.16	22.53	38.62	-	-	-
198	7.38	26	2.607	192	19.249	157	4.96	9.10	14.48	24.82	237	7.03	12.88	20.50	35.14	-	-	-
199	8.00	24	2.406	192	19.249	145	4.47	8.20	13.04	22.35	225	6.33	11.60	18.46	31.65	-	-	-
200	8.73	22	2.206	192	19.249	133	3.98	7.29	11.60	19.88	201	5.63	10.32	16.42	28.15	-	-	-
Multiply Horsepower Listed by Length Correction Factor to Find Horsepower Rating -->																		
														0.90	0.90	0.90		


**DISTRIBUIDOR AUTORIZADO** MEX (55) 53 63 23 31 MTY (81) 83 54 10 18  
 QRO (442) 1 95 72 60 QRO (442) 1 95 72 60 [ventas@industrialmagza.com](mailto:ventas@industrialmagza.com)

# QT Power Chain Synchronous 8M

## Drive Selection Tables

CENTER DISTANCE																			Line No.
BELT LENGTH – Length Correction Factor																			
960	1040	1120	1200	1224	1280	1440	1600	1760	1800	2000	2200	2400	2600	2800	3048	3280	3600	4400	
1.00	1.00	1.00	1.00	1.00	1.10	1.10	1.10	1.10	1.20	1.20	1.20	1.20	1.20	1.20	1.20	1.20	1.20	1.20	
10.94	12.54	14.14	15.74	16.21	17.33	20.50	23.67	26.83	27.62	31.57	35.52	39.46	43.40	47.35	52.23	56.80	63.11	78.86	151
-	-	9.38	11.06	11.56	12.72	15.97	19.19	22.39	23.18	27.16	31.13	35.09	39.05	43.00	47.90	52.47	58.79	74.56	152
8.81	10.46	12.09	13.71	14.19	15.31	18.51	21.69	24.87	25.66	29.62	33.57	37.53	41.47	45.42	50.31	54.88	61.19	76.95	153
10.06	11.68	13.29	14.89	15.37	16.49	19.67	22.84	26.01	26.80	30.76	34.71	38.65	42.60	46.54	51.43	56.00	62.31	78.07	154
11.94	13.54	15.13	16.72	17.19	18.30	21.47	24.63	27.79	28.58	32.53	36.47	40.42	44.36	48.30	53.19	57.76	64.06	79.81	155
-	-	9.51	11.20	11.70	12.85	16.11	19.33	22.53	23.33	27.31	31.28	35.24	39.19	43.15	48.05	52.63	58.94	74.71	156
11.08	12.69	14.29	15.88	16.36	17.47	20.65	23.82	26.98	27.77	31.72	35.67	39.61	43.56	47.50	52.39	56.96	63.26	79.02	157
8.94	10.60	12.23	13.85	14.33	15.46	18.66	21.84	25.02	25.81	29.77	33.72	37.68	41.62	45.57	50.46	55.04	61.34	77.11	158
-	-	-	-	-	-	12.29	15.64	18.92	19.73	23.76	27.77	31.76	35.74	39.71	44.62	49.21	55.54	71.33	159
-	-	-	-	-	-	-	-	-	13.78	18.07	22.22	26.30	30.35	34.36	39.32	43.94	50.30	66.15	160
10.19	11.82	13.43	15.03	15.51	16.63	19.82	22.99	26.16	26.95	30.91	34.86	38.80	42.75	46.69	51.58	56.16	62.46	78.22	161
-	-	9.64	11.33	11.83	12.98	16.25	19.47	22.67	23.47	27.45	31.42	35.39	39.34	43.30	48.20	52.78	59.09	74.86	162
9.07	10.73	12.37	13.99	14.47	15.60	18.80	21.99	25.16	25.96	29.92	33.87	37.83	41.77	45.72	50.61	55.19	61.50	77.26	163
11.22	12.83	14.43	16.02	16.50	17.62	20.79	23.96	27.13	27.92	31.87	35.82	39.76	43.71	47.65	52.54	57.11	63.42	79.17	164
-	-	-	-	-	-	12.54	15.90	19.19	20.00	24.04	28.06	32.05	36.03	40.00	44.92	49.51	55.84	71.64	165
-	-	9.77	11.46	11.96	13.12	16.38	19.61	22.81	23.61	27.60	31.57	35.53	39.49	43.45	48.35	52.93	59.24	75.02	166
10.33	11.95	13.57	15.17	15.65	16.77	19.96	23.14	26.31	27.10	31.05	35.01	38.95	42.90	46.85	51.73	56.31	62.61	78.37	167
-	-	-	-	-	-	-	-	13.38	14.28	18.59	22.76	26.85	30.90	34.93	39.89	44.52	50.88	66.74	168
9.20	10.86	12.50	14.12	14.61	15.74	18.94	22.13	25.31	26.10	30.07	34.02	37.97	41.92	45.87	50.76	55.34	61.65	77.41	169
-	8.15	9.90	11.59	12.09	13.25	16.52	19.75	22.96	23.76	27.74	31.71	35.68	39.64	43.60	48.50	53.08	59.39	75.17	170
-	-	-	-	-	-	12.80	16.17	19.46	20.27	24.32	28.34	32.34	36.32	40.29	45.21	49.81	56.14	71.94	171
10.46	12.09	13.71	15.31	15.80	16.92	20.10	23.28	26.45	27.25	31.20	35.16	39.10	43.05	47.00	51.89	56.46	62.77	78.53	172
-	8.27	10.02	11.72	12.22	13.38	16.66	19.89	23.10	23.90	27.89	31.86	35.83	39.79	43.74	48.65	53.23	59.54	75.32	173
9.33	11.00	12.64	14.26	14.75	15.88	19.08	22.27	25.45	26.25	30.21	34.17	38.12	42.07	46.02	50.92	55.49	61.80	77.57	174
-	-	-	-	-	-	12.92	16.30	19.59	20.41	24.46	28.48	32.48	36.46	40.44	45.36	49.95	56.28	72.09	175
-	8.39	10.15	11.85	12.35	13.52	16.79	20.03	23.24	24.04	28.03	32.01	35.97	39.94	43.89	48.79	53.38	59.69	75.47	176
-	-	-	-	-	-	13.05	16.43	19.73	20.55	24.60	28.62	32.62	36.61	40.58	45.50	50.10	56.43	72.24	177
-	-	-	-	-	-	-	-	13.87	14.77	19.11	23.29	27.40	31.46	35.49	40.46	45.09	51.46	67.33	178
9.46	11.13	12.77	14.40	14.89	16.02	19.23	22.42	25.60	26.39	30.36	34.32	38.27	42.22	46.17	51.07	55.64	61.95	77.72	179
-	-	-	-	-	-	13.18	16.56	19.86	20.68	24.74	28.76	32.76	36.75	40.73	45.65	50.25	56.58	72.39	180
-	8.51	10.28	11.98	12.48	13.65	16.93	20.17	23.38	24.18	28.17	32.15	36.12	40.08	44.04	48.94	53.53	59.84	75.63	181
-	-	-	-	-	-	-	-	14.11	15.02	19.37	23.56	27.67	31.73	35.77	40.74	45.38	51.75	67.62	182
-	-	-	-	-	9.72	13.30	16.69	20.00	20.82	24.88	28.90	32.91	36.90	40.87	45.80	50.40	56.73	72.54	183
-	8.64	10.40	12.11	12.61	13.78	17.07	20.31	23.52	24.32	28.32	32.30	36.27	40.23	44.19	49.09	53.68	60.00	75.78	184
-	-	-	-	-	9.84	13.43	16.82	20.13	20.95	25.02	29.04	33.05	37.04	41.02	45.94	50.54	56.88	72.69	185
-	-	-	-	-	-	-	-	14.36	15.26	19.62	23.82	27.94	32.01	36.05	41.02	45.66	52.04	67.92	186
-	-	-	-	-	-	-	-	14.48	15.39	19.75	23.95	28.07	32.14	36.18	41.17	45.81	52.18	68.07	187
-	8.76	10.53	12.24	12.74	13.91	17.20	20.45	23.66	24.47	28.46	32.44	36.41	40.38	44.34	49.24	53.83	60.15	75.93	188
-	-	-	-	-	9.96	13.56	16.96	20.27	21.09	25.15	29.18	33.19	37.18	41.16	46.09	50.69	57.03	72.84	189
-	-	-	-	-	-	-	-	14.60	15.51	19.88	24.08	28.21	32.28	36.32	41.31	45.95	52.33	68.21	190
-	-	-	-	-	10.07	13.68	17.09	20.40	21.22	25.29	29.32	33.33	37.33	41.31	46.24	50.84	57.17	72.99	191
-	-	-	-	-	-	-	-	14.72	15.63	20.01	24.22	28.34	32.42	36.46	41.45	46.09	52.47	68.36	192
-	-	-	-	-	10.19	13.81	17.22	20.54	21.36	25.43	29.46	33.48	37.47	41.45	46.38	50.98	57.32	73.14	193
-	-	-	-	-	-	-	-	14.84	15.75	20.13	24.35	28.48	32.56	36.60	41.59	46.23	52.62	68.51	194
-	-	-	-	-	-	-	-	14.96	15.88	20.26	24.48	28.61	32.69	36.74	41.73	46.38	52.76	68.65	195
-	-	-	-	-	10.31	13.93	17.35	20.67	21.49	25.57	29.60	33.62	37.61	41.60	46.53	51.13	57.47	73.29	196
-	-	-	-	-	-	-	-	15.08	16.00	20.39	24.61	28.75	32.83	36.88	41.87	46.52	52.90	68.80	197
-	-	-	-	-	15.2	20.52	24.74	28.88	29.52	34.74	38.88	42.97	47.02	51.01	55.66	61.05	68.95	198	
-	-	-	-	-	15.3	20.6	24.8	28.9	29.6	34.8	38.9	43.0	47.0	51.0	55.7	61.1	69.0	199	
-	-	-	-	-	-	-	11.48	15.44	20.77	25.00	29.15	33.24	37.29	42.29	46.94	53.33	69.24	200	
1.00	1.00	1.00	1.00	1.00	1.10	1.10	1.10	1.10	1.20	1.20	1.20	1.20	1.20	1.20	1.20	1.20	1.20	1.20	


**DISTRIBUIDOR MEX (55) 53 63 23 31**    **MTY (81) 83 54 10 18**  
**AUTORIZADO QRO (442) 1 95 72 60 42**    **ventas@industrialmagza.com**

# QT Power Chain Synchronous 14M

## Drive Selection Tables

Line No.	Drive Ratio	Sprocket Combination				1160 RPM DriveR					1750 RPM DriveR						
		DRIVER		DRIVEN		DN RPM	Horsepower					DN RPM	Horsepower				
		Teeth	PD (in)	Teeth	PD (in)		20MM	42MM	65MM	90MM	120MM		20MM	42MM	65MM	90MM	120MM
Multiply Horsepower Listed by Length Correction Factor to Find Horsepower Rating -->																	
1	1.00	28	4.913	28	4.913	1160	28.6	60.1	93.1	128.9	171.8	1750	40.3	84.7	131.1	181.5	242.0
2	1.00	29	5.088	29	5.088	1160	29.8	62.5	96.8	134.0	178.7	1750	41.9	88.0	136.3	188.7	251.6
3	1.00	30	5.263	30	5.263	1160	30.9	64.9	100.5	139.1	185.5	1750	43.5	91.4	141.4	195.8	261.1
4	1.00	32	5.614	32	5.614	1160	33.2	69.7	107.9	149.4	199.2	1750	46.7	98.1	151.8	210.1	280.2
5	1.00	34	5.965	34	5.965	1160	35.5	74.5	115.3	159.6	212.9	1750	49.9	104.7	162.1	224.4	299.2
6	1.00	36	6.316	36	6.316	1160	37.8	79.3	122.7	169.9	226.5	1750	53.0	111.3	172.3	238.6	318.1
7	1.00	38	6.667	38	6.667	1160	40.0	84.0	130.1	180.1	240.1	1750	56.2	117.9	182.5	252.7	337.0
8	1.00	40	7.018	40	7.018	1160	42.3	88.8	137.4	190.3	253.7	1750	59.3	124.5	192.7	266.8	355.7
9	1.00	44	7.720	44	7.720	1160	46.8	98.3	152.1	210.6	280.8	1750	65.5	137.6	212.9	294.8	393.0
10	1.00	48	8.421	48	8.421	1160	51.3	107.8	166.8	230.9	307.9	1750	71.7	150.5	232.9	322.4	429.9
11	1.00	52	9.123	52	9.123	1160	55.8	117.2	181.3	251.1	334.7	1750	77.7	163.3	252.6	349.8	466.4
12	1.00	56	9.825	56	9.825	1160	60.3	126.5	195.8	271.1	361.5	1750	83.8	175.9	272.2	376.9	502.5
13	1.00	60	10.527	60	10.527	1160	64.7	135.9	210.2	291.1	388.1	1750	89.7	188.3	291.5	403.6	538.1
14	1.00	64	11.229	64	11.229	1160	69.1	145.1	224.6	311.0	414.6	1750	95.5	200.6	310.5	429.9	573.2
15	1.00	68	11.930	68	11.930	1160	73.5	154.3	238.9	330.7	441.0	1750	101.3	212.7	329.2	455.8	607.7
16	1.00	72	12.632	72	12.632	1160	77.9	163.5	253.0	350.3	467.1	1750	107.0	224.6	347.6	481.3	641.7
17	1.00	80	14.036	80	14.036	1160	86.5	181.6	281.1	389.2	518.9	1750	118.0	247.7	383.4	530.8	707.8
18	1.03	29	5.088	30	5.263	1121	29.8	62.5	96.8	134.0	178.7	1692	41.9	88.0	136.3	188.7	251.6
19	1.04	28	4.913	29	5.088	1120	28.6	60.1	93.1	128.9	171.8	1690	40.3	84.7	131.1	181.5	242.0
20	1.05	38	6.667	40	7.018	1102	40.0	84.0	130.1	180.1	240.1	1662	56.2	117.9	182.5	252.7	337.0
21	1.06	36	6.316	38	6.667	1099	37.8	79.3	122.7	169.9	226.5	1658	53.0	111.3	172.3	238.6	318.1
22	1.06	34	5.965	36	6.316	1096	35.5	74.5	115.3	159.6	212.9	1653	49.9	104.7	162.1	224.4	299.2
23	1.06	68	11.930	72	12.632	1096	73.5	154.3	238.9	330.7	441.0	1653	101.3	212.7	329.2	455.8	607.7
24	1.06	32	5.614	34	5.965	1092	33.2	69.7	107.9	149.4	199.2	1647	46.7	98.1	151.8	210.1	280.2
25	1.06	64	11.229	68	11.930	1092	69.1	145.1	224.6	311.0	414.6	1647	95.5	200.6	310.5	429.9	573.2
26	1.07	30	5.263	32	5.614	1088	30.9	64.9	100.5	139.1	185.5	1641	43.5	91.4	141.4	195.8	261.1
27	1.07	60	10.527	64	11.229	1088	64.7	135.9	210.2	291.1	388.1	1641	89.7	188.3	291.5	403.6	538.1
28	1.07	28	4.913	30	5.263	1083	28.6	60.1	93.1	128.9	171.8	1633	40.3	84.7	131.1	181.5	242.0
29	1.07	56	9.825	60	10.527	1083	60.3	126.5	195.8	271.1	361.5	1633	83.8	175.9	272.2	376.9	502.5
30	1.08	52	9.123	56	9.825	1077	55.8	117.2	181.3	251.1	334.7	1625	77.7	163.3	252.6	349.8	466.4
31	1.08	48	8.421	52	9.123	1071	51.3	107.8	166.8	230.9	307.9	1615	71.7	150.5	232.9	322.4	429.9
32	1.09	44	7.720	48	8.421	1063	46.8	98.3	152.1	210.6	280.8	1604	65.5	137.6	212.9	294.8	393.0
33	1.10	40	7.018	44	7.720	1055	42.3	88.8	137.4	190.3	253.7	1591	59.3	124.5	192.7	266.8	355.7
34	1.10	29	5.088	32	5.614	1051	29.8	62.5	96.8	134.0	178.7	1586	41.9	88.0	136.3	188.7	251.6
35	1.11	36	6.316	40	7.018	1044	37.8	79.3	122.7	169.9	226.5	1575	53.0	111.3	172.3	238.6	318.1
36	1.11	72	12.632	80	14.036	1044	77.9	163.5	253.0	350.3	467.1	1575	107.0	224.6	347.6	481.3	641.7
37	1.12	34	5.965	38	6.667	1038	35.5	74.5	115.3	159.6	212.9	1566	49.9	104.7	162.1	224.4	299.2
38	1.13	32	5.614	36	6.316	1031	33.2	69.7	107.9	149.4	199.2	1556	46.7	98.1	151.8	210.1	280.2
39	1.13	64	11.229	72	12.632	1031	69.1	145.1	224.6	311.0	414.6	1556	95.5	200.6	310.5	429.9	573.2
40	1.13	80	14.036	90	15.790	1031	86.5	181.6	281.1	389.2	518.9	1556	118.0	247.7	383.4	530.8	707.8
41	1.13	30	5.263	34	5.965	1024	30.9	64.9	100.5	139.1	185.5	1544	43.5	91.4	141.4	195.8	261.1
42	1.13	60	10.527	68	11.930	1024	64.7	135.9	210.2	291.1	388.1	1544	89.7	188.3	291.5	403.6	538.1
43	1.14	28	4.913	32	5.614	1015	28.6	60.1	93.1	128.9	171.8	1531	40.3	84.7	131.1	181.5	242.0
44	1.14	56	9.825	64	11.229	1015	60.3	126.5	195.8	271.1	361.5	1531	83.8	175.9	272.2	376.9	502.5
45	1.15	52	9.123	60	10.527	1005	55.8	117.2	181.3	251.1	334.7	1517	77.7	163.3	252.6	349.8	466.4
46	1.16	38	6.667	44	7.720	1002	40.0	84.0	130.1	180.1	240.1	1511	56.2	117.9	182.5	252.7	337.0
47	1.17	48	8.421	56	9.825	994	51.3	107.8	166.8	230.9	307.9	1500	71.7	150.5	232.9	322.4	429.9
48	1.17	29	5.088	34	5.965	989	29.8	62.5	96.8	134.0	178.7	1493	41.9	88.0	136.3	188.7	251.6
49	1.18	34	5.965	40	7.018	986	35.5	74.5	115.3	159.6	212.9	1488	49.9	104.7	162.1	224.4	299.2
50	1.18	68	11.930	80	14.036	986	73.5	154.3	238.9	330.7	441.0	1488	101.3	212.7	329.2	455.8	607.7
51	1.18	44	7.720	52	9.123	982	46.8	98.3	152.1	210.6	280.8	1481	65.5	137.6	212.9	294.8	393.0
Multiply Horsepower Listed by Length Correction Factor to Find Horsepower Rating -->																	



DISTRIBUIDOR MEX (55) 53 63 23 31 MTY (81) 83 54 10 18  
 AUTORIZADO QRO (442) 1 95 72 60 ventas@industrialmagza.com





# QT Power Chain Synchronous 14M

## Drive Selection Tables

Line No.	Drive Ratio	Sprocket Combination				1160 RPM DriveR					1750 RPM DriveR						
		DRIVER		DRIVEN		DN RPM	Horsepower					DN RPM	Horsepower				
		Teeth	PD (in)	Teeth	PD (in)		20MM	42MM	65MM	90MM	120MM		20MM	42MM	65MM	90MM	120MM
<b>Multiply Horsepower Listed by Length Correction Factor to Find Horsepower Rating --&gt;</b>																	
52	1.19	32	5.614	38	6.667	977	33.2	69.7	107.9	149.4	199.2	1474	46.7	98.1	151.8	210.1	280.2
53	1.20	30	5.263	36	6.316	967	30.9	64.9	100.5	139.1	185.5	1458	43.5	91.4	141.4	195.8	261.1
54	1.20	40	7.018	48	8.421	967	42.3	88.8	137.4	190.3	253.7	1458	59.3	124.5	192.7	266.8	355.7
55	1.20	60	10.527	72	12.632	967	64.7	135.9	210.2	291.1	388.1	1458	89.7	188.3	291.5	403.6	538.1
56	1.21	28	4.913	34	5.965	955	28.6	60.1	93.1	128.9	171.8	1441	40.3	84.7	131.1	181.5	242.0
57	1.21	56	9.825	68	11.930	955	60.3	126.5	195.8	271.1	361.5	1441	83.8	175.9	272.2	376.9	502.5
58	1.22	36	6.316	44	7.720	949	37.8	79.3	122.7	169.9	226.5	1432	53.0	111.3	172.3	238.6	318.1
59	1.23	52	9.123	64	11.229	942	55.8	117.2	181.3	251.1	334.7	1422	77.7	163.3	252.6	349.8	466.4
60	1.24	29	5.088	36	6.316	934	29.8	62.5	96.8	134.0	178.7	1410	41.9	88.0	136.3	188.7	251.6
61	1.25	32	5.614	40	7.018	928	33.2	69.7	107.9	149.4	199.2	1400	46.7	98.1	151.8	210.1	280.2
62	1.25	48	8.421	60	10.527	928	51.3	107.8	166.8	230.9	307.9	1400	71.7	150.5	232.9	322.4	429.9
63	1.25	64	11.229	80	14.036	928	69.1	145.1	224.6	311.0	414.6	1400	95.5	200.6	310.5	429.9	573.2
64	1.25	72	12.632	90	15.790	928	77.9	163.5	253.0	350.3	467.1	1400	107.0	224.6	347.6	481.3	641.7
65	1.26	38	6.667	48	8.421	918	40.0	84.0	130.1	180.1	240.1	1385	56.2	117.9	182.5	252.7	337.0
66	1.27	30	5.263	38	6.667	916	30.9	64.9	100.5	139.1	185.5	1382	43.5	91.4	141.4	195.8	261.1
67	1.27	44	7.720	56	9.825	911	46.8	98.3	152.1	210.6	280.8	1375	65.5	137.6	212.9	294.8	393.0
68	1.29	28	4.913	36	6.316	902	28.6	60.1	93.1	128.9	171.8	1361	40.3	84.7	131.1	181.5	242.0
69	1.29	56	9.825	72	12.632	902	60.3	126.5	195.8	271.1	361.5	1361	83.8	175.9	272.2	376.9	502.5
70	1.29	34	5.965	44	7.720	896	35.5	74.5	115.3	159.6	212.9	1352	49.9	104.7	162.1	224.4	299.2
71	1.30	40	7.018	52	9.123	892	42.3	88.8	137.4	190.3	253.7	1346	59.3	124.5	192.7	266.8	355.7
72	1.31	52	9.123	68	11.930	887	55.8	117.2	181.3	251.1	334.7	1338	77.7	163.3	252.6	349.8	466.4
73	1.31	29	5.088	38	6.667	885	29.8	62.5	96.8	134.0	178.7	1336	41.9	88.0	136.3	188.7	251.6
74	1.32	68	11.930	90	15.790	876	73.5	154.3	238.9	330.7	441.0	1322	101.3	212.7	329.2	455.8	607.7
75	1.33	30	5.263	40	7.018	870	30.9	64.9	100.5	139.1	185.5	1312	43.5	91.4	141.4	195.8	261.1
76	1.33	36	6.316	48	8.421	870	37.8	79.3	122.7	169.9	226.5	1312	53.0	111.3	172.3	238.6	318.1
77	1.33	48	8.421	64	11.229	870	51.3	107.8	166.8	230.9	307.9	1312	71.7	150.5	232.9	322.4	429.9
78	1.33	60	10.527	80	14.036	870	64.7	135.9	210.2	291.1	388.1	1312	89.7	188.3	291.5	403.6	538.1
79	1.36	28	4.913	38	6.667	855	28.6	60.1	93.1	128.9	171.8	1289	40.3	84.7	131.1	181.5	242.0
80	1.36	44	7.720	60	10.527	851	46.8	98.3	152.1	210.6	280.8	1283	65.5	137.6	212.9	294.8	393.0
81	1.37	38	6.667	52	9.123	848	40.0	84.0	130.1	180.1	240.1	1279	56.2	117.9	182.5	252.7	337.0
82	1.38	32	5.614	44	7.720	844	33.2	69.7	107.9	149.4	199.2	1273	46.7	98.1	151.8	210.1	280.2
83	1.38	29	5.088	40	7.018	841	29.8	62.5	96.8	134.0	178.7	1269	41.9	88.0	136.3	188.7	251.6
84	1.38	52	9.123	72	12.632	838	55.8	117.2	181.3	251.1	334.7	1264	77.7	163.3	252.6	349.8	466.4
85	1.40	40	7.018	56	9.825	829	42.3	88.8	137.4	190.3	253.7	1250	59.3	124.5	192.7	266.8	355.7
86	1.40	80	14.036	112	19.650	829	86.5	181.6	281.1	389.2	518.9	1250	118.0	247.7	383.4	530.8	707.8
87	1.41	64	11.229	90	15.790	825	69.1	145.1	224.6	311.0	414.6	1244	95.5	200.6	310.5	429.9	573.2
88	1.41	34	5.965	48	8.421	822	35.5	74.5	115.3	159.6	212.9	1240	49.9	104.7	162.1	224.4	299.2
89	1.42	48	8.421	68	11.930	819	51.3	107.8	166.8	230.9	307.9	1235	71.7	150.5	232.9	322.4	429.9
90	1.43	28	4.913	40	7.018	812	28.6	60.1	93.1	128.9	171.8	1225	40.3	84.7	131.1	181.5	242.0
91	1.43	56	9.825	80	14.036	812	60.3	126.5	195.8	271.1	361.5	1225	83.8	175.9	272.2	376.9	502.5
92	1.44	36	6.316	52	9.123	803	37.8	79.3	122.7	169.9	226.5	1212	53.0	111.3	172.3	238.6	318.1
93	1.45	44	7.720	64	11.229	798	46.8	98.3	152.1	210.6	280.8	1203	65.5	137.6	212.9	294.8	393.0
94	1.47	30	5.263	44	7.720	791	30.9	64.9	100.5	139.1	185.5	1193	43.5	91.4	141.4	195.8	261.1
95	1.47	38	6.667	56	9.825	787	40.0	84.0	130.1	180.1	240.1	1188	56.2	117.9	182.5	252.7	337.0
96	1.50	32	5.614	48	8.421	773	33.2	69.7	107.9	149.4	199.2	1167	46.7	98.1	151.8	210.1	280.2
97	1.50	40	7.018	60	10.527	773	42.3	88.8	137.4	190.3	253.7	1167	59.3	124.5	192.7	266.8	355.7
98	1.50	48	8.421	72	12.632	773	51.3	107.8	166.8	230.9	307.9	1167	71.7	150.5	232.9	322.4	429.9
99	1.50	60	10.527	90	15.790	773	64.7	135.9	210.2	291.1	388.1	1167	89.7	188.3	291.5	403.6	538.1
100	1.52	29	5.088	44	7.720	765	29.8	62.5	96.8	134.0	178.7	1144	41.9	88.0	136.3	188.7	251.6
101	1.53	34	5.965	52	9.123	758	35.5	74.5	115.3	159.6	212.9	1144	49.9	104.7	162.1	224.4	299.2
102	1.54	52	9.123	80	14.036	754	55.8	117.2	181.3	251.1	334.7	1138	77.7	163.3	252.6	349.8	466.4
<b>Multiply Horsepower Listed by Length Correction Factor to Find Horsepower Rating --&gt;</b>																	













# QT Power Chain Synchronous 14M

## Drive Selection Tables

CENTER DISTANCE																Line No.
BELT LENGTH - Length Correction Factor																
1400	1610	1778	1890	2100	2310	2450	2590	2800	3150	3360	3500	3850	4326	4578	4956	
0.90	0.90	0.95	0.95	1.00	1.00	1.00	1.05	1.05	1.05	1.10	1.10	1.10	1.10	1.10	1.10	
-	-	-	-	-	-	-	20.70	25.02	32.10	36.32	39.12	46.09	55.54	60.54	68.02	
13.41	17.63	20.98	23.21	27.38	31.53	34.30	37.07	41.22	48.12	52.27	55.03	61.93	71.31	76.27	83.72	
14.30	18.50	21.84	24.07	28.23	32.38	35.15	37.91	42.06	48.96	53.11	55.87	62.76	72.14	77.11	84.55	
15.17	19.36	22.70	24.92	29.08	33.23	35.99	38.76	42.90	49.80	53.94	56.70	63.60	72.98	77.94	85.39	
-	-	-	-	17.97	22.25	25.08	27.89	32.09	39.05	43.22	46.00	52.93	62.34	67.31	74.78	
14.42	18.62	21.97	24.19	28.36	32.51	35.28	38.05	42.19	49.10	53.24	56.00	62.90	72.28	77.24	84.69	
-	15.22	18.62	20.86	25.06	29.23	32.01	34.79	38.94	45.86	50.01	52.77	59.68	69.07	74.03	81.48	
12.75	17.00	20.37	22.60	26.78	30.94	33.71	36.48	40.64	47.55	51.69	54.45	61.36	70.74	75.71	83.15	
-	13.04	16.50	18.78	23.01	27.21	29.99	32.78	36.94	43.88	48.03	50.79	57.71	67.10	72.07	79.52	
-	-	-	-	-	-	-	21.16	25.49	32.59	36.81	39.61	46.60	56.06	61.05	68.54	
13.65	17.88	21.23	23.46	27.63	31.79	34.56	37.33	41.48	48.39	52.53	55.29	62.19	71.58	76.54	83.99	
14.54	18.75	22.10	24.32	28.49	32.64	35.41	38.18	42.32	49.23	53.37	56.13	63.03	72.41	77.38	84.82	
-	-	-	-	18.44	22.73	25.56	28.38	32.59	39.56	43.73	46.51	53.45	62.86	67.84	75.30	
-	-	-	-	-	-	-	-	-	27.65	31.96	34.81	41.87	51.40	56.42	63.93	
13.77	18.00	21.36	23.59	27.76	31.92	34.69	37.46	41.61	48.52	52.66	55.43	62.33	71.71	76.68	84.12	
-	15.46	18.86	21.11	25.31	29.49	32.27	35.04	39.20	46.12	50.27	53.04	59.94	69.33	74.30	81.75	
-	13.27	16.74	19.02	23.25	27.46	30.25	33.03	37.20	44.13	48.29	51.06	57.97	67.37	72.34	79.79	
12.98	17.24	20.62	22.85	27.03	31.20	33.97	36.74	40.90	47.81	51.96	54.72	61.62	71.01	75.97	83.42	
-	-	-	-	-	-	-	21.62	25.96	33.08	37.30	40.11	47.10	56.57	61.57	69.06	
-	-	-	-	-	-	-	-	-	-	26.86	29.80	37.00	46.64	51.70	59.26	
13.89	18.12	21.49	23.72	27.89	32.05	34.82	37.59	41.74	48.65	52.80	55.56	62.46	71.84	76.81	84.26	
-	-	-	-	-	-	-	-	-	28.12	32.44	35.29	42.36	51.90	56.92	64.44	
13.10	17.37	20.74	22.98	27.16	31.33	34.10	36.87	41.03	47.94	52.09	54.85	61.75	71.14	76.11	83.56	
11.34	15.69	19.10	21.36	25.56	29.74	32.52	35.30	39.46	46.38	50.53	53.30	60.21	69.60	74.57	82.02	
-	13.50	16.98	19.26	23.50	27.71	30.50	33.28	37.46	44.39	48.55	51.32	58.23	67.63	72.60	80.06	
-	-	-	-	18.90	23.21	26.05	28.87	33.08	40.07	44.24	47.02	53.96	63.38	68.36	75.83	
13.22	17.49	20.86	23.10	27.29	31.46	34.23	37.00	41.16	48.07	52.22	54.98	61.89	71.27	76.24	83.69	
-	-	-	-	-	-	19.11	22.08	26.43	33.56	37.79	40.60	47.60	57.08	62.08	69.57	
-	-	-	-	-	-	-	-	-	28.58	32.91	35.77	42.85	52.39	57.42	64.95	
-	13.73	17.21	19.50	23.74	27.95	30.75	33.54	37.71	44.65	48.81	51.58	58.49	67.89	72.87	80.32	
11.57	15.93	19.35	21.60	25.81	29.99	32.78	35.56	39.72	46.64	50.79	53.56	60.47	69.86	74.83	82.28	
-	-	-	-	-	-	-	-	-	-	27.77	30.72	37.95	47.62	52.69	60.26	
-	-	-	-	-	-	-	-	-	-	-	-	32.83	42.70	47.84	55.49	
11.68	16.05	19.47	21.72	25.93	30.12	32.90	35.68	39.85	46.77	50.93	53.69	60.60	69.99	74.96	82.42	
-	-	-	-	-	-	19.55	22.53	26.90	34.04	38.28	41.10	48.10	57.58	62.59	70.09	
-	-	-	14.92	19.36	23.69	26.53	29.36	33.58	40.57	44.75	47.53	54.48	63.90	68.88	76.35	
-	-	-	-	-	-	-	-	21.63	29.05	33.38	36.24	43.33	52.89	57.93	65.46	
-	13.95	17.45	19.74	23.99	28.20	31.00	33.79	37.97	44.91	49.07	51.84	58.76	68.16	73.13	80.59	
-	-	-	-	-	-	-	-	-	-	28.22	31.17	38.42	48.10	53.18	60.76	
11.80	16.17	19.59	21.85	26.06	30.25	33.03	35.81	39.98	46.90	51.06	53.82	60.73	70.13	75.10	82.55	
-	-	-	15.14	19.59	23.92	26.77	29.60	33.83	40.82	45.00	47.79	54.73	64.16	69.14	76.61	
-	14.18	17.68	19.98	24.23	28.45	31.25	34.04	38.22	45.17	49.33	52.10	59.02	68.42	73.39	80.85	
-	-	-	-	-	-	20.00	22.98	27.37	34.52	38.77	41.59	48.60	58.09	63.10	70.60	
-	-	-	-	-	-	-	-	22.06	29.51	33.85	36.72	43.82	53.39	58.43	65.96	
-	-	-	-	-	-	-	-	-	24.12	28.67	31.63	38.89	48.58	53.67	61.25	
-	-	-	-	-	-	-	-	-	-	-	-	33.74	43.64	48.80	56.46	
-	14.29	17.80	20.09	24.35	28.57	31.37	34.17	38.35	45.29	49.45	52.23	59.15	68.55	73.53	80.98	
-	-	-	15.36	19.82	24.16	27.01	29.85	34.07	41.07	45.26	48.04	54.99	64.42	69.40	76.88	
-	-	-	-	-	-	-	-	-	-	26.59	34.19	44.11	54.27	59.27	66.95	
-	-	-	-	-	-	-	-	-	-	26.59	34.19	44.11	54.27	59.27	66.95	
-	14.41	17.91	20.21	24.47	28.70	31.50	34.29	38.47	45.42	49.58	52.36	59.28	68.68	73.66	81.12	
0.90	0.90	0.95	0.95	1.00	1.00	1.00	1.05	1.05	1.05	1.10	1.10	1.10	1.10	1.10	1.10	



**DISTRIBUIDOR AUTORIZADO**  
 MEX (55) 53 63 23 31  
 QRO (442) 3 695 72 60  
 MTY (81) 83 54 10 18  
 ventas@industrialmagza.com



# QT Power Chain Synchronous 14M

## Drive Selection Tables

CENTER DISTANCE														Line No.
BELT LENGTH - Length Correction Factor														
1778	1890	2100	2310	2450	2590	2800	3150	3360	3500	3850	4326	4578	4956	
0.95	0.95	1.00	1.00	1.00	1.05	1.05	1.05	1.10	1.10	1.10	1.10	1.10	1.10	
-	-	-	-	-	-	22.50	29.96	34.32	37.19	44.30	53.88	58.92	66.47	205
-	-	-	-	20.44	23.44	27.83	35.00	39.26	42.08	49.10	58.60	63.61	71.11	206
-	15.58	20.05	24.39	27.25	30.09	34.32	41.32	45.51	48.29	55.25	64.68	69.66	77.14	207
-	-	-	-	-	-	-	-	-	27.03	34.64	44.58	49.75	57.43	208
-	-	-	-	-	-	-	24.99	29.56	32.54	39.83	49.55	54.64	62.24	209
-	15.80	20.28	24.63	27.49	30.33	34.56	41.57	45.76	48.55	55.50	64.94	69.92	77.40	210
-	-	-	-	-	-	22.94	30.42	34.79	37.66	44.79	54.37	59.42	66.97	211
-	-	-	17.78	20.88	23.89	28.29	35.48	39.74	42.57	49.59	59.10	64.11	71.62	212
-	-	-	-	-	-	-	-	-	27.46	35.09	45.05	50.22	57.91	213
-	-	-	-	-	-	-	25.42	30.01	32.99	40.29	50.03	55.13	62.73	214
-	16.02	20.51	24.86	27.73	30.57	34.81	41.82	46.01	48.80	55.76	65.19	70.18	77.66	215
-	-	-	17.99	21.10	24.11	28.52	35.72	39.98	42.81	49.84	59.35	64.37	71.88	216
-	-	-	-	-	-	23.37	30.88	35.25	38.13	45.27	54.87	59.92	67.47	217
-	-	-	-	-	-	-	-	-	27.88	35.54	45.51	50.69	58.39	218
13.63	16.13	20.62	24.98	27.85	30.69	34.93	41.95	46.14	48.93	55.88	65.32	70.31	77.79	219
13.73	16.24	20.74	25.10	27.97	30.81	35.05	42.07	46.26	49.05	56.01	65.45	70.44	77.92	220
-	-	-	18.20	21.32	24.34	28.75	35.96	40.22	43.05	50.09	59.60	64.62	72.13	221
-	-	-	-	-	-	-	25.85	30.45	33.44	40.76	50.51	55.61	63.23	222
-	-	-	-	-	-	-	-	25.09	28.31	35.98	45.98	51.17	58.87	223
-	-	-	-	-	-	23.81	31.33	35.72	38.60	45.75	55.36	60.41	67.97	224
-	-	-	18.42	21.54	24.56	28.98	36.19	40.46	43.29	50.33	59.85	64.87	72.39	225
-	-	-	-	-	-	-	26.28	30.89	33.89	41.22	50.98	56.10	63.72	226
-	-	-	-	-	19.21	24.03	31.56	35.95	38.84	45.99	55.60	60.66	68.22	227
-	-	-	18.63	21.76	24.78	29.21	36.43	40.70	43.54	50.58	60.10	65.12	72.64	228
-	-	-	-	-	-	-	-	25.51	28.74	36.43	46.44	51.64	59.35	229
-	-	-	-	-	19.42	24.24	31.79	36.18	39.07	46.23	55.85	60.91	68.47	230
-	-	-	18.84	21.98	25.01	29.44	36.67	40.94	43.78	50.83	60.35	65.38	72.90	231
-	-	-	-	-	-	-	26.71	31.34	34.34	41.69	51.46	56.58	64.21	232
-	-	-	-	-	-	-	-	25.92	29.17	36.87	46.90	52.11	59.83	233
-	-	-	-	-	19.63	24.46	32.02	36.41	39.31	46.47	56.09	61.15	68.72	234
-	-	-	18.95	22.09	25.12	29.56	36.79	41.06	43.90	50.95	60.48	65.50	73.02	235
-	-	-	-	-	-	-	26.93	31.56	34.56	41.92	51.70	56.82	64.45	236
-	-	-	19.05	22.19	25.23	29.67	36.90	41.18	44.02	51.07	60.60	65.63	73.15	237
-	-	-	-	-	19.84	24.67	32.24	36.64	39.54	46.70	56.34	61.40	68.97	238
-	-	-	-	-	-	-	27.14	31.78	34.79	42.15	51.94	57.06	64.69	239
-	-	-	-	-	-	-	-	26.34	29.59	37.32	47.37	52.58	60.31	240
-	-	-	-	-	20.05	24.89	32.47	36.87	39.77	46.94	56.58	61.65	69.22	241
-	-	-	-	-	-	-	27.35	32.00	35.01	42.38	52.17	57.30	64.94	242
-	-	-	-	-	-	-	-	26.55	29.81	37.54	47.60	52.81	60.55	243
-	-	-	-	-	20.15	25.00	32.58	36.99	39.89	47.06	56.70	61.77	69.34	244
-	-	-	-	-	20.25	25.11	32.69	37.10	40.00	47.18	56.82	61.89	69.47	245
-	-	-	-	-	-	-	27.57	32.22	35.24	42.61	52.41	57.54	65.18	246
-	-	-	-	-	-	-	-	26.76	30.02	37.76	47.83	53.04	60.78	247
-	-	-	-	-	-	-	-	26.97	30.23	37.98	48.06	53.28	61.02	248
-	-	-	-	-	-	-	27.78	32.44	35.46	42.84	52.65	57.78	65.42	249
-	-	-	-	-	-	-	27.89	32.55	35.57	42.95	52.77	57.90	65.55	250
-	-	-	-	-	-	-	-	27.17	30.45	38.20	48.29	53.51	61.26	251
-	-	-	-	-	-	-	28.00	32.66	35.68	43.07	52.89	58.02	65.67	252
-	-	-	-	-	-	-	-	27.38	30.66	38.43	48.52	53.74	61.50	253
-	-	-	-	-	-	-	-	27.59	30.87	38.65	48.75	53.98	61.73	255
0.95	0.95	1.00	1.00	1.00	1.05	1.05	1.05	1.10	1.10	1.10	1.10	1.10	1.10	



DISTRIBUIDOR AUTORIZADO MEX (55) 53 63 23 31 MTY (81) 83 54 10 18  
 QRO (442) 1 95 72 30 ventas@industrialmagza.com













# QT Power Chain Horsepower Ratings 14M

## 120MM WIDE

The following tables represent the horsepower ratings for each belt at the pre-determined No. of Teeth, Pitch Diameters and RPMs. These ratings must be multiplied by the applicable belt length factor to obtain corrected HP rating.

Smallest Sprocket RPM	No Teeth	28	29	30	32	34	36	38	40	44	48	52	56	60	64	68	72	80
	PD (in.)	4.913	5.088	5.263	5.614	5.965	6.316	6.667	7.018	7.720	8.421	9.123	9.825	10.527	11.229	11.930	12.632	14.036
1160	171.80	178.66	185.51	199.19	212.85	226.50	240.12	253.72	280.84	307.85	334.74	361.51	388.14	414.62	440.95	467.10	518.87	
1460	208.06	216.33	224.59	241.08	257.54	273.95	290.31	306.63	339.13	371.40	403.44	435.22	466.73	497.95	528.85	559.42	619.48	
1750	241.98	251.55	261.11	280.17	299.17	318.10	336.95	355.72	393.00	429.91	466.42	502.48	538.08	573.17	607.71	641.68	707.77	
2900	368.50	382.66	396.76	424.73	452.38	479.72	506.71	533.33	585.40	635.78	-	-	-	-	-	-	-	
3500	430.02	446.18	462.22	493.91	525.06	555.63	585.59	614.92	-	-	-	-	-	-	-	-	-	
10	2.66	2.77	2.88	3.09	3.30	3.52	3.73	3.95	4.37	4.80	5.23	5.66	6.08	6.51	6.94	7.37	8.22	
20	4.67	4.86	5.05	5.42	5.80	6.17	6.55	6.92	7.67	8.42	9.17	9.92	10.67	11.42	12.17	12.92	14.42	
40	8.67	9.02	9.37	10.07	10.76	11.46	12.15	12.85	14.24	15.63	17.03	18.42	19.81	21.20	22.59	23.99	26.77	
60	12.60	13.10	13.61	14.62	15.63	16.64	17.65	18.66	20.68	22.70	24.73	26.75	28.77	30.79	32.81	34.83	38.88	
100	20.20	21.01	21.82	23.44	25.06	26.68	28.30	29.93	33.17	36.41	39.65	42.89	46.13	49.37	52.62	55.86	62.34	
200	38.02	39.54	41.07	44.12	47.17	50.22	53.27	56.32	62.41	68.51	74.61	80.71	86.80	92.90	98.99	105.09	117.27	
400	70.02	72.83	75.64	81.25	86.87	92.48	98.09	103.70	114.92	126.14	137.35	148.55	159.75	170.94	182.13	193.31	215.65	
600	98.97	102.94	106.90	114.83	122.76	130.68	138.60	146.51	162.33	178.14	193.93	209.70	225.46	241.19	256.90	272.59	303.89	
800	126.03	131.08	136.12	146.20	156.27	166.34	176.40	186.45	206.53	226.58	246.58	266.54	286.46	306.33	326.15	345.91	385.26	
1000	151.83	157.90	163.96	176.08	188.19	200.28	212.36	224.42	248.50	272.51	296.44	320.29	344.05	367.72	391.29	414.75	461.32	
1200	176.72	183.77	190.81	204.88	218.92	232.94	246.94	260.91	288.78	316.52	344.13	371.60	398.92	426.07	453.05	479.84	532.83	
1400	200.92	208.91	216.89	232.84	248.74	264.61	280.45	296.24	327.69	358.95	390.00	420.83	451.41	481.74	511.79	541.55	600.11	
1600	224.56	233.46	242.36	260.11	277.81	295.45	313.04	330.56	365.42	399.99	434.25	468.17	501.73	534.91	567.67	599.99	663.22	
1800	247.73	257.52	267.30	286.79	306.22	325.56	344.82	364.00	402.07	439.73	476.95	513.70	549.93	585.61	620.70	655.17	-	
2000	270.49	281.14	291.77	312.95	334.03	355.00	375.86	396.60	437.69	478.23	518.16	557.44	596.01	633.83	670.84	-	-	
2400	314.91	327.19	339.43	363.79	387.98	411.98	435.79	459.39	505.92	551.50	596.03	639.42	-	-	-	-	-	
2800	357.95	371.75	385.49	412.77	439.78	466.49	492.88	518.96	570.04	619.60	-	-	-	-	-	-	-	
3200	399.65	414.85	429.95	459.87	489.37	518.44	547.03	575.14	629.78	-	-	-	-	-	-	-	-	
3600	439.97	456.43	472.76	505.00	536.65	567.67	598.04	-	-	-	-	-	-	-	-	-	-	
4000	478.85	496.43	513.82	548.04	581.45	-	-	-	-	-	-	-	-	-	-	-	-	



DISTRIBUIDOR  
AUTORIZADO

MEX (55) 53 63 23 31 MTY (81) 83 54 10 18  
QRO (442) 1 95 72 60 ventas@industrialmagza.com



# Timing Sprockets & Belts

**C3**



- **Freedom from high tension**
- **No lubrication required**
- **Compact design**



**DISTRIBUIDOR  
AUTORIZADO**

MEX (55) 53 63 23 31 MTY (81) 83 54 10 18  
QRO (442) 1 95 72 60 [ventas@industrialmagza.com](mailto:ventas@industrialmagza.com)



**DISTRIBUIDOR  
AUTORIZADO**

MEX (55) 53 63 23 31 MTY (81) 83 54 10 18  
QRO (442) 1 95 72 60 [ventas@industrialmagza.com](mailto:ventas@industrialmagza.com)

# Timing Belt Drives

## Features

Timing Belt Drives take their place in industry as a highly efficient, job-proved medium for mechanical power transmission. This drive combines the advantages of the chain and gear with advantages of the belt, but without the limitations usually associated with these drives.

Timing Belt Drives make possible important savings in weight, space and construction without the sacrifice of efficiency.

They are adaptable to almost any kind of power transmission drive.

Timing Belt Drives are being used by virtually every industry. They have been adopted as standard equipment by a wide variety of machine builders and equipment manufacturers.

- **positive—slip-proof . . .**

Positive grip of belt teeth with sprocket grooves eliminates slippage, speed variation. There's no initial stretch, no elongation to require belt take-up.

- **no lubrication . . .**

Absence of metal-to-metal contact eliminates the need for lubricating systems, oil-retaining devices—and their nuisance, cost, weight, and possibility of product contamination.

- **wide capacity range . . .**

The load capacities of synchronous belt drives range from subfractional horsepower to 600 hp and up.

- **freedom from high tension . . .**

Since the synchronous belt drive does not rely on friction, there is no need for high tension. Thus, overhung bearing loads are reduced to a minimum.

- **constant angular velocity . . .**

Speed is transmitted *uniformly*. There is no chordal rise and fall of pitch line as with roller chain, no belt creep or slippage—thus no chatter or vibration.

- **compact design . . .**

Small sprockets, short centers, narrow belts, high capacity—all these inherent features can be combined to reduce space requirements.

- **minimum backlash . . .**

Because of advanced design, backlash—between the teeth and the stock belts and the grooves of stock sprockets—is reduced to a negligible minimum.

- **high efficiency . . .**

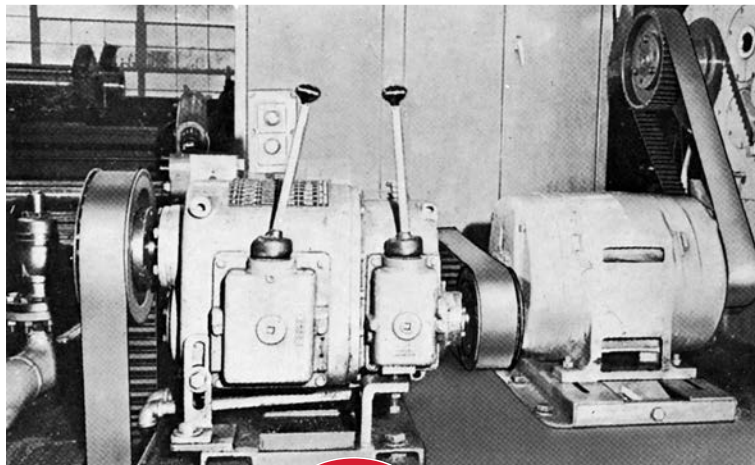
Three factors—inherent elimination of friction, lack of high tension, and the belt's thin construction—contribute to the drive's unusually high mechanical efficiency.

- **light weight . . .**

The horsepower-to-weight ratio is high—an important consideration where weight is a critical factor, as on portable equipment.

- **economical operation . . .**

By comparison with other systems, a synchronous belt drive generally is the least costly. The cost of the drive itself is the only expense. Synchronous belt drives do not require motor bases, lubrication systems or tensioning devices. Maintenance costs are minimal.



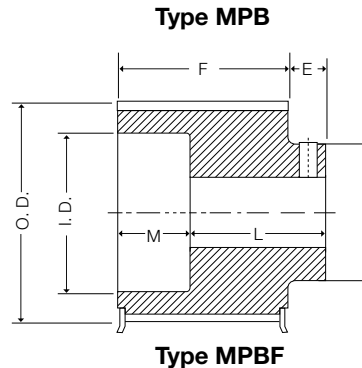
Three Timing Belt Drive on a Niles Boring Lathe

# Timing Sprocket XL

## Dimensions

The Timing Sprockets listed below are all carried in stock with a minimum plain bore only but can be re-bored to any size within the bore range.

In the "type" column, the first letter indicates the type sketch, the figure describes the construction (1—Solid, no web; 2—Web) and the letter F indicates the sprocket has flanges.



PRODUCT NUMBER	NUMBER OF GROOVES	PITCH DIAM.	O.D.		TYPE	DIMENSIONS, IN.			BORE RANGE		WT. Lbs. App.
			Sprocket	Flange		E	L	H	Min.	Max.*	
<b>Sprockets stocked in 3/8 inch (XL037) width only for belts 1/4 inch (XL025) 3/8 inch (XL037) wide • Face Width (F) = 9/16</b>											
10XL037	10	.637	.617	.88	MPB1F	1/4	13/16	7/16	3/16	1/4	.03
11XL037	11	.700	.680	.88	MPB1F	1/4	13/16	1/2	3/16	5/16	.03
12XL037	12	.764	.744	1.00	MPB1F	1/4	13/16	1/2	3/16	5/16	.06
14XL037	14	.891	.871	1.09	MPB1F	1/4	13/16	9/16	1/4	3/8	.06
15XL037	15	.955	.935	1.18	MPB1F	1/4	13/16	5/8	1/4	7/16	.09
16XL037	16	1.019	.999	1.25	MPB1F	1/4	13/16	11/16	1/4	1/2	.09
18XL037	18	1.146	1.126	1.38	MPB1F	1/4	13/16	13/16	1/4	9/16	.13
20XL037	20	1.273	1.253	1.50	MPB1F	5/16	7/8	15/16	1/4	11/16	.19
21XL037	21	1.337	1.317	1.56	MPB1F	5/16	7/8	1	1/4	3/4	.19
22XL037	22	1.401	1.381	1.63	MPB1F	5/16	7/8	1	1/4	3/4	.22
24XL037	24	1.528	1.508	1.75	MPB1F	11/32	29/32	1-1/16	1/4	13/16	.25
28XL037	28	1.783	1.763	2.00	MPB1F	11/32	29/32	1-3/16	1/4	15/16	.34
30XL037	30	1.910	1.890	2.12	MPB1F	11/32	29/32	1-5/16	5/16	1	.41
32XL037	32	2.037	2.017	-	MPB1	7/16	1	1-1/2	5/16	1-3/16	.22
36XL037	36	2.292	2.272	-	MPB1	7/16	1	1-1/2	5/16	1-3/16	.30
40XL037	40	2.546	2.526	-	MPB1	7/16	1	1-1/2	5/16	1-3/16	.31
42XL037	42	2.674	2.654	-	MPB1	7/16	1	1-1/2	5/16	1-3/16	.31
44XL037	44	2.801	2.781	-	MPB1	7/16	1	1-1/2	5/16	1-3/16	.31
48XL037	48	3.056	3.036	-	MPB1	7/16	1	1-1/2	5/16	1-3/16	.38
60XL037MPB	60	3.820	3.800	-	MPB2	7/16	1	1-1/2	3/8	1-3/16	.38
72XL037	72	4.584	4.564	-	MPB2	7/16	1	1-1/2	3/8	1-3/16	.50

Bored-to-suit construction, minimum plain bore with 2 setscrews.

\*Maximum bore without keyseat.



DISTRIBUIDOR  
AUTORIZADO

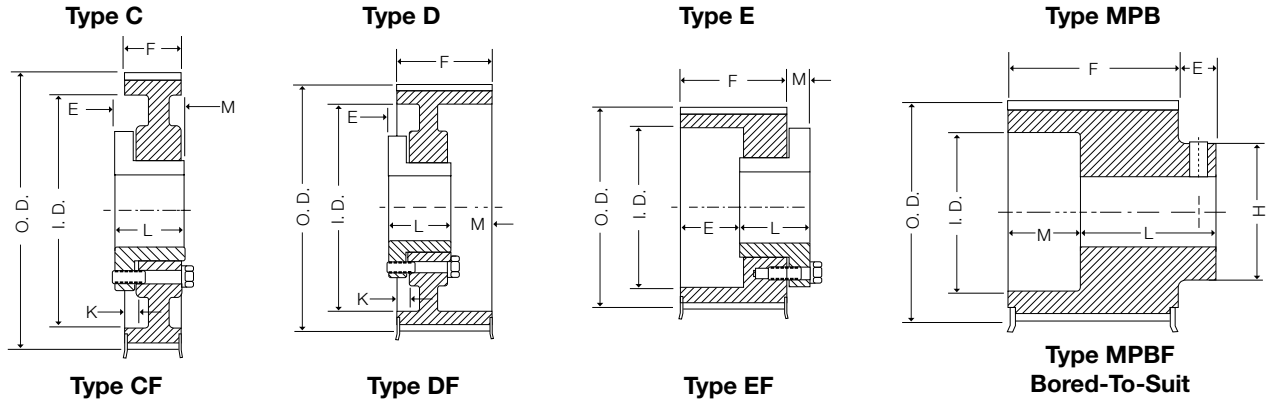
MEX (55) 53 63 23 31 MTY (81) 83 54 10 18  
QRO (442) 1 95 72 60 ventas@industrialmagza.com



# Timing Sprocket L

## Dimensions

The Timing Sprockets listed below and on the following pages are all stock sizes. The dimensions given are with the Sure-Grip bushings in place. The figure following the type sketch letter in the "type" column indicates the construction: (1—Solid, 2—Web, 3—Arms), and the letter F indicates the sprocket has flanges.



PRODUCT NUMBER	NUMBER OF GROOVES	PITCH DIAM.	O.D.		I.D.	BUSH.	TYPE	DIMENSIONS, INCHES					BORE RANGE		WT.
			Sprocket	Flange				E	L	M	K	H	Min.	Max.	
<b>For belts 1/2 inch wide • 3/8-inch pitch (L050) • Face Width (F) = 3/4</b>															
10L050	10	1.194	1.164	1.44	-	*	MPB1F	1/2	1-1/4	-	-	13/16	3/8*	1/2	.2
12L050	12	1.432	1.402	1.66	-	*	MPB1F	1/2	1-1/4	-	-	1	3/8*	11/16	.4
14L050	14	1.671	1.641	1.91	-	*	MPB1F	1/2	1-1/4	-	-	1-1/8	3/8*	3/4	.5
16L050	16	1.910	1.880	2.13	-	*	MPB1F	1/2	1-1/4	-	-	1-7/16	1/2*	1	.8
17L050	17	2.029	1.999	2.25	-	*	MPB1F	1/2	1-1/4	-	-	1-7/16	1/2*	1	.9
18L050	18	2.149	2.119	2.38	-	JA	E1F	7/32	1	15/32	-	-	1/2	1-1/4	.7
19L050	19	2.268	2.238	2.50	-	*	MPB1F	1/2	1-1/4	-	-	1-11/16	1/2*	1-3/16	1.1
20L050	20	2.387	2.357	2.62	-	JA	E1F	7/32	1	15/32	-	-	1/2	1-1/4	.9
21L050	21	2.507	2.477	2.75	-	*	MPB1F	1/2	1-1/4	-	-	2	1/2*	1-5/16	1.3
22L050	22	2.626	2.596	2.88	-	JA	D1F	15/32	1	7/32	0	-	1/2	1-1/4	1.1
24L050	24	2.865	2.835	3.09	-	SH	D1F	9/16	1-1/4	1/16	0	-	1/2	1-5/8	1.4
26L050	26	3.104	3.074	3.33	-	SH	D1F	9/16	1-1/4	1/16	0	-	1/2	1-5/8	1.6
26L050MPB	26	3.104	3.074	3.34	-	*	MPB1F	1/2	1-1/4	-	-	2-1/4	1/2*	1-5/8	2.3
28L050	28	3.342	3.312	3.56	-	SH	D1F	9/16	1-1/4	1/16	0	-	1/2	1-5/8	1.9
30L050	30	3.581	3.551	3.81	-	SDS	D1F	5/8	1-5/16	1/16	0	-	1/2	1-15/16	2.2
32L050	32	3.820	3.790	4.06	-	SDS	D1F	5/8	1-5/16	1/16	0	-	1/2	1-15/16	2.5
36L050	36	4.297	4.267	4.53	-	SDS	D1F	5/8	1-5/16	1/16	0	-	1/2	1-15/16	3.0
40L050	40	4.775	4.745	5.00	-	SDS	D1F	5/8	1-5/16	1/16	0	-	1/2	1-15/16	3.6
44L050	44	5.252	5.222	5.48	-	SDS	D1F	5/8	1-5/16	1/16	0	-	1/2	1-15/16	4.3
48L050	48	5.730	5.700	5.94	-	SDS	D1F	5/8	1-5/16	1/16	0	-	1/2	1-15/16	5.1
60L050	60	7.162	7.132	-	6.25	SD	C2	7/8	1-13/16	3/16	-1/4	-	1/2	1-15/16	5.9
72L050	72	8.594	8.564	-	7.62	SD	C3	7/8	1-13/16	3/16	-1/4	-	1/2	1-15/16	7.1
84L050	84	10.027	9.997	-	9.12	SD	C3	7/8	1-13/16	3/16	-1/4	-	1/2	1-15/16	9.0
96L050	96	11.459	11.429	-	10.50	SD	C3	7/8	1-13/16	3/16	-1/4	-	1/2	1-15/16	10.7
120L050	120	14.324	14.294	-	13.38	SD	C3	7/8	1-13/16	3/16	-1/4	-	1/2	1-15/16	13.6

\* Bored-to-suit construction, minimum plain bore, no setscrews.



**DISTRIBUIDOR AUTORIZADO** MEX (55) 53 63 23 31 MTY (81) 83 54 10 18  
QRO (442) 1 95 72 60 ventas@industrialmagza.com

Weights for all Sure-Grip bushed items are approximate and include the weight of the bushing.

Refer to page C1—18 for balancing standards.





# Timing Sprocket L

## Dimensions

PRODUCT NUMBER	NUMBER OF GROOVES	PITCH DIAM.	O.D.		I.D.	BUSH.	TYPE	DIMENSIONS, INCHES					BORE RANGE		WT.
			Sprocket	Flange				E	L	M	K	H	Min.	Max.	
<b>For belts 3/4 inch wide • 3/8-inch pitch (L075) • Face Width (F) = 1"</b>															
12L075	12	1.432	1.402	1.66	-	*	MPB1F	1/2	1-1/2	-	-	1	3/8*	11/16	.5
14L075	14	1.671	1.641	1.91	-	*	MPB1F	1/2	1-1/2	-	-	1-1/8	3/8*	3/4	.6
16L075	16	1.910	1.880	2.13	-	*	MPB1F	1/2	1-1/2	-	-	1-7/16	1/2*	1	.9
17L075	17	2.029	1.999	2.25	-	*	MPB1F	1/2	1-1/2	-	-	1-7/16	1/2*	1	1.0
18L075	18	2.149	2.119	2.38	-	JA	E1F	15/32	1	15/32	-	-	1/2	1-1/4	.8
19L075	19	2.268	2.238	2.50	-	*	MPB1F	1/2	1-1/2	-	-	1-11/16	1/2*	1-3/16	1.3
20L075	20	2.387	2.357	2.62	-	JA	E1F	15/32	1	15/32	-	-	1/2	1-1/4	1.1
21L075	21	2.507	2.477	2.75	-	*	MPB1F	1/2	1-1/2	-	-	2	1/2	1-5/16	1.5
22L075	22	2.626	2.596	2.88	1.88	JA	E1F	15/32	1	15/32	-	-	1/2	1-1/4	1.2
24L075	24	2.865	2.835	3.09	-	SH	D1F	5/16	1-1/4	5/16	0	-	1/2	1-5/8	1.6
26L075	26	3.104	3.074	3.33	-	SH	D1F	5/16	1-1/4	5/16	0	-	1/2	1-5/8	1.8
28L075	28	3.342	3.312	3.56	2.63	SH	D1F	5/16	1-1/4	5/16	0	-	1/2	1-5/8	2.1
30L075	30	3.581	3.551	3.81	-	SDS	D1F	5/8	1-5/16	5/16	0	-	1/2	1-15/16	2.5
32L075	32	3.820	3.790	4.06	-	SDS	D1F	5/8	1-5/16	5/16	0	-	1/2	1-15/16	2.8
36L075	36	4.297	4.267	4.53	3.38	SDS	D1F	3/8	1-5/16	1/16	1/4	-	1/2	1-15/16	3.3
40L075	40	4.775	4.745	5.00	3.75	SDS	D1F	3/8	1-5/16	1/16	1/4	-	1/2	1-15/16	4.0
44L075	44	5.252	5.222	5.48	4.25	SDS	D1F	3/8	1-5/16	1/16	1/4	-	1/2	1-15/16	4.8
48L075	48	5.730	5.700	5.94	4.75	SDS	D1F	3/8	1-5/16	1/16	1/4	-	1/2	1-15/16	5.6
60L075	60	7.162	7.132	-	6.25	SD	C2	3/4	1-13/16	1/16	-1/8	-	1/2	1-15/16	7.6
72L075	72	8.594	8.564	-	7.62	SD	C3	3/4	1-13/16	1/16	-1/8	-	1/2	1-15/16	7.8
84L075	84	10.027	9.997	-	9.12	SD	C3	3/4	1-13/16	1/16	-1/8	-	1/2	1-15/16	9.8
96L075	96	11.459	11.429	-	10.50	SD	C3	3/4	1-13/16	1/16	-1/8	-	1/2	1-15/16	11.7
120L075	120	14.324	14.294	-	13.38	SD	C3	3/4	1-13/16	1/16	-1/8	-	1/2	1-15/16	15.6
<b>For belts 1 inch wide • 3/8-inch pitch (L100) • Face Width (F) = 1-1/4"</b>															
14L100	14	1.671	1.641	1.91	-	*	MPBF	1/2	1-3/4	-	-	1-1/8	3/8*	3/4	.8
16L100	16	1.910	1.880	2.13	-	*	MPBF	1/2	1-3/4	-	-	1-7/16	1/2*	1	1.1
17L100	17	2.029	1.999	2.25	-	*	MPBF	1/2	1-3/4	-	-	1-7/16	1/2*	1	1.2
18L100	18	2.149	2.119	2.38	-	JA	E1F	23/32	1	15/32	-	-	1/2	1-1/4	1.0
19L100	19	2.268	2.238	2.50	-	*	MPBF	1/2	1-3/4	-	-	1-11/16	1/2*	1-3/16	1.6
20L100	20	2.387	2.357	2.62	-	JA	E1F	23/32	1	15/32	-	-	1/2	1-1/4	1.3
21L100	21	2.507	2.477	2.75	-	*	MPBF	1/2	1-3/4	-	-	2	5/8*	1-5/16	1.8
22L100	22	2.626	2.596	2.88	1.88	JA	E1F	23/32	1	15/32	-	-	1/2	1-1/4	1.3
24L100	24	2.865	2.835	3.09	-	SH	D1F	9/16	1-1/4	9/16	0	-	1/2	1-5/8	1.8
26L100	26	3.104	3.074	3.33	-	SH	D1F	9/16	1-1/4	9/16	0	-	1/2	1-5/8	2.0
28L100	28	3.342	3.312	3.56	2.63	SH	D1F	9/16	1-1/4	9/16	0	-	1/2	1-5/8	2.4
30L100	30	3.581	3.551	3.81	-	SDS	D1F	5/8	1-5/16	9/16	0	-	1/2	1-15/16	2.7
32L100	32	3.820	3.790	4.06	3.00	SDS	D1F	5/8	1-5/16	9/16	0	-	1/2	1-15/16	3.0
36L100	36	4.297	4.267	4.53	3.38	SDS	D1F	1/8	1-5/16	1/16	1/2	-	1/2	1-15/16	3.6
40L100	40	4.775	4.745	5.00	3.75	SDS	D1F	1/8	1-5/16	1/16	1/2	-	1/2	1-15/16	4.4
44L100	44	5.252	5.222	5.48	4.25	SDS	D1F	1/8	1-5/16	1/16	1/2	-	1/2	1-15/16	5.2
48L100	48	5.730	5.700	5.94	4.75	SDS	D1F	1/8	1-5/16	1/16	1/2	-	1/2	1-15/16	6.1
60L100	60	7.162	7.132	-	6.25	SD	D2	5/8	1-13/16	1/16	0	-	1/2	1-15/16	7.1
72L100	72	8.594	8.564	-	7.62	SD	D3	5/8	1-13/16	1/16	0	-	1/2	1-15/16	8.6
84L100	84	10.027	9.997	-	9.12	SD	D3	5/8	1-13/16	1/16	0	-	1/2	1-15/16	10.7
96L100	96	11.459	11.429	-	10.50	SD	D3	5/8	1-13/16	1/16	0	-	1/2	1-15/16	12.7
120L100	120	14.324	14.294	-	13.38	SD	D3	5/8	1-13/16	1/16	0	-	1/2	1-15/16	16.1

\* Bored-to-suit construction, minimum plain bore, no setscrews.



DISTRIBUIDOR MEX (55) 53 63 23 31 MTY (81) 83 54 10 18  
 AUTORIZADO QRO (442) 1 95 72 60 ventas@industrialmagza.com

Weights for all Sure-Grip bushed items are approximate and include the weight of the bushing.

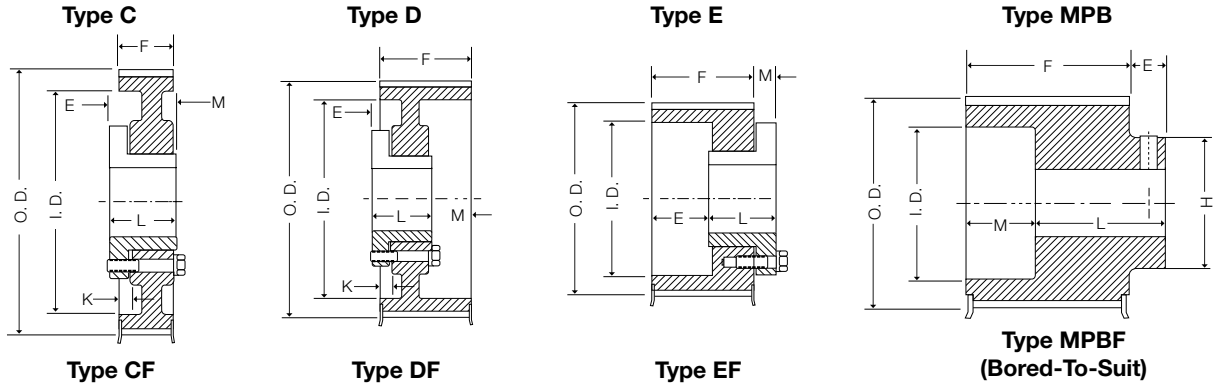
Refer to page C1—18 for balancing standards.



# Timing Sprocket H

## Dimensions

The Timing Sprockets listed below and on the following pages are all stock sizes. The dimensions given are with the Sure-Grip bushings in place. The figure following the type sketch letter in the "type" column indicates the construction: (1—Solid, 2—Web, 3—Arms), and the letter F indicates the sprocket has flanges.



PRODUCT NUMBER	NUMBER OF GROOVES	PITCH DIAM.	O.D.		I.D.	BUSH.	TYPE	DIMENSIONS, INCHES					BORE RANGE		WT.
			Sprocket	Flange				E	L	M	K	H	Min.	Max.	
<b>For belts 1 inch wide • 1/2-inch pitch (H100) also use for 3/4-inch (H075) belts Face Width (F) = 1-5/16 • 156 H100 F = 1-3/8</b>															
14H100MPB	14	2.228	2.174	2.50	-	*	MPB1F	9/16	1-7/8	-	-	1-5/8	5/8*	1-1/8	1.4
14H100	14	2.228	2.174	2.50	-	JA	E1F	25/32	1	15/32	-	-	1/2	1-1/4	1.1
16H100	16	2.546	2.492	2.78	-	JA	E1F	25/32	1	15/32	-	-	1/2	1-1/4	1.2
18H100	18	2.865	2.811	3.12	-	SH	E1F	5/8	1-1/4	9/16	-	-	1/2	1-11/16	1.8
19H100	19	3.024	2.970	3.25	-	*	MPB1F	11/16	2	-	-	2-3/8	5/8*	1-9/16	3.0
20H100MPB	20	3.183	3.129	3.42	-	*	MPB1F	13/16	2-1/8	-	-	2-1/2	5/8*	1-5/8	3.4
20H100	20	3.183	3.129	3.42	-	SH	E1F	5/8	1-1/4	9/16	-	-	1/2	1-11/16	2.2
21H100	21	3.342	3.288	3.58	2.63	SH	E1F	5/8	1-1/4	9/16	-	-	1/2	1-11/16	2.4
22H100	22	3.501	3.447	3.75	-	SDS	E1F	5/8	1-5/16	5/8	-	-	1/2	2	2.6
23H100	23	3.661	3.607	4.06	3.03	SDS	E1F	5/8	1-5/16	5/8	-	-	1/2	2	2.9
24H100	24	3.820	3.766	4.06	3.00	SDS	E1F	5/8	1-5/16	5/8	-	-	1/2	2	3.0
25H100	25	3.979	3.925	4.38	3.25	SDS	E1F	5/8	1-5/16	5/8	-	-	1/2	2	3.3
26H100	26	4.138	4.084	4.38	3.31	SDS	D1F	1/16	1-5/16	1/16	9/16	-	1/2	2	3.4
27H100	27	4.297	4.243	4.69	3.44	SDS	D1F	1/16	1-5/16	1/16	9/16	-	1/2	2	3.8
28H100	28	4.456	4.402	4.69	3.50	SDS	D1F	1/16	1-5/16	1/16	9/16	-	1/2	2	4.0
29H100	29	4.615	4.561	4.76	3.63	SDS	D1F	1/8	1-5/16	1/8	1/2	-	1/2	2	5.2
30H100	30	4.775	4.721	5.00	-	SD	D1F	5/8	1-13/16	1/8	0	-	1/2	2	5.7
31H100	31	4.934	4.880	5.31	-	SD	D1F	5/8	1-13/16	1/8	0	-	1/2	2	6.4
32H100	32	5.093	5.039	5.31	-	SK	D1F	23/32	1-7/8	5/32	0	-	1/2	2-5/8	6.6
33H100	33	5.252	5.198	5.31	-	SK	D1F	23/32	1-7/8	5/32	0	-	1/2	2-5/8	7.3
34H100	34	5.411	5.357	5.95	-	SK	D1F	23/32	1-7/8	5/32	0	-	1/2	2-5/8	7.7
35H100	35	5.570	5.516	5.95	-	SK	D1F	23/32	1-7/8	5/32	0	-	1/2	2-5/8	8.1
36H100	36	5.730	5.676	5.95	-	SK	D1F	23/32	1-7/8	5/32	0	-	1/2	2-5/8	8.4
37H100	37	5.889	5.835	6.38	-	SK	D1F	23/32	1-7/8	5/32	0	-	1/2	2-5/8	9.1
38H100	38	6.048	5.994	6.56	-	SK	D1F	23/32	1-7/8	5/32	0	-	1/2	2-5/8	9.6
39H100	39	6.207	6.153	6.60	-	SK	D1F	23/32	1-7/8	5/32	0	-	1/2	2-5/8	10.1
40H100	40	6.366	6.312	6.60	-	SK	D1F	23/32	1-7/8	5/32	0	-	1/2	2-5/8	10.4
41H100	41	6.525	6.471	6.77	-	SK	D1F	23/32	1-7/8	5/32	0	-	1/2	2-5/8	11.2
42H100	42	6.684	6.631	7.25	-	SK	D1F	23/32	1-7/8	5/32	0	-	1/2	2-5/8	11.8
43H100	43	6.844	6.790	7.25	-	SK	D1F	23/32	1-7/8	5/32	0	-	1/2	2-5/8	12.3
44H100	44	7.003	6.949	7.25	-	SK	D1F	23/32	1-7/8	5/32	0	-	1/2	2-5/8	12.6
45H100	45	7.162	7.108	7.54	-	SK	D1F	23/32	1-7/8	5/32	0	-	1/2	2-5/8	13.4
46H100	46	7.321	7.267	7.60	-	SK	D1F	23/32	1-7/8	5/32	0	-	1/2	2-5/8	14.1
48H100	48	7.639	7.585	7.88	-	SK	D1F	23/32	1-7/8	5/32	0	-	1/2	2-5/8	14.8
60H100	60	9.549	9.495	-	8.50	SF	C3	11/16	2	0	0	-	1/2	2-15/16	15.0
72H100	72	11.459	11.405	-	10.38	SF	C3	11/16	2	0	0	-	1/2	2-15/16	20.8
84H100	84	13.369	13.315	-	12.25	SF	C3	11/16	2	0	0	-	1/2	2-15/16	23.6
96H100	96	15.279	15.225	-	14.12	SF	C3	11/16	2	0	0	-	1/2	2-15/16	26.9
120H100	120	19.099	19.045	-	17.88	SF	C3	11/16	2	0	0	-	1/2	2-15/16	34.4
156H100	156	24.828	24.774	-	23.50	SF	C3	11/16	2	0	0	-	1/2	2-15/16	48.8

\* Bored-to-suit construction, minimum plain bore, no setscrews.

Weights for all Sure-Grip bushed items are approximate and include the bushing.

Refer to page C1—18 for balancing standards.



DISTRIBUIDOR AUTORIZADO

MEX (55) 53 63 23 31 MTY (81) 83 54 10 18 QRO (442) 1 95 72 60 ventas@industrialmagza.com



# Timing Sprocket H

## Dimensions

PRODUCT NUMBER	NUMBER OF GROOVES	PITCH DIAM.	O.D.		I.D.	BUSH.	TYPE	DIMENSIONS, INCHES					BORE RANGE		WT.
			Sprocket	Flange				E	L	M	K	H	Min.	Max.	
<b>For belts 1-1/2 inch wide • 1/2-inch pitch (H150) Face Width (F) = 1-13/16 • 156 H150 F = 1-7/8</b>															
14H150	14	2.228	2.174	2.50	-	JA	E1F	1-9/32	1	15/32	-	-	1/2	1-1/4	1.3
16H150	16	2.546	2.492	2.75	1.88	JA	E1F	1-9/32	1	15/32	-	-	1/2	1-1/4	1.4
18H150	18	2.865	2.811	3.12	1.97	SH	E1F	1-1/8	1-1/4	9/16	-	-	1/2	1-5/8	2.2
19H150	19	3.024	2.970	3.25	...	*	MPB1F	11/16	2-1/2	-	-	2-3/8	3/4*	1-9/16	3.7
20H150	20	3.183	3.129	3.42	-	SH	E1F	1-1/8	1-1/4	9/16	...	-	1/2	1-5/8	2.6
21H150	21	3.342	3.288	3.58	-	*	MPB1F	13/16	2-5/8	-	-	2-5/8	3/4*	1-11/16	4.8
22H150	22	3.501	3.447	3.75	-	SD	E1F	5/8	1-13/16	5/8	-	-	1/2	1-15/16	3.5
24H150	24	3.820	3.766	4.06	3.00	SD	E1F	5/8	1-13/16	5/8	-	-	1/2	1-15/16	4.2
26H150	26	4.138	4.084	4.38	3.31	SD	D1F	1/8	1-13/16	1/8	1/2	-	1/2	1-15/16	4.7
28H150	28	4.456	4.402	4.69	3.50	SD	D1F	1/8	1-13/16	1/8	1/2	-	1/2	1-15/16	5.6
30H150	30	4.775	4.721	5.00	3.75	SD	D1F	1/8	1-13/16	1/8	1/2	-	1/2	1-15/16	6.4
32H150	32	5.093	5.039	5.31	4.12	SK	D1F	5/32	1-7/8	3/32	9/16	-	1/2	2-1/2	7.2
36H150	36	5.730	5.676	5.95	4.50	SK	D1F	5/32	1-7/8	3/32	9/16	-	1/2	2-1/2	9.2
40H150	40	6.366	6.312	6.60	4.88	SK	D1F	5/32	1-7/8	3/32	9/16	-	1/2	2-1/2	11.1
44H150	44	7.003	6.949	7.25	5.88	SK	D1F	5/32	1-7/8	3/32	9/16	-	1/2	2-1/2	13.6
48H150	48	7.639	7.585	8.00	6.63	SK	D2F	5/32	1-7/8	3/32	9/16	-	1/2	2-1/2	12.5
60H150	60	9.549	9.495	-	8.50	SF	D3	7/16	2	1/4	1/4	-	1/2	2-3/4	16.7
72H150	72	11.459	11.405	-	10.38	SF	D3	7/16	2	1/4	1/4	-	1/2	2-3/4	22.9
84H150	84	13.369	13.315	-	12.25	SF	D3	7/16	2	1/4	1/4	-	1/2	2-3/4	25.9
96H150	96	15.279	15.225	-	14.12	SF	D3	7/16	2	1/4	1/4	-	1/2	2-3/4	31.5
120H150	120	19.099	19.045	-	17.88	SF	D3	7/16	2	1/4	1/4	-	1/2	2-3/4	38.5
156H150	156	24.828	24.774	-	23.50	SF	D3	3/8	2	1/4	5/16	-	1/2	2-3/4	54.7
<b>For belts 2 inch wide • 1/2-inch pitch (H200) Face Width (F) = 2-11/32 • 156 H200 F = 2-1/2</b>															
14H200	14	2.228	2.174	2.50	-	JA	E1F	1-13/16	1	15/32	-	-	1/2	1-1/4	1.7
16H200	16	2.546	2.492	2.75	1.88	JA	E1F	1-13/16	1	15/32	-	-	1/2	1-1/4	1.7
18H200	18	2.865	2.811	3.12	2.00	SH	E1F	1-21/32	1-1/4	9/16	-	-	1/2	1-5/8	2.6
19H200	19	3.024	2.970	3.25	...	*	MPB1F	11/16	3-1/32	-	-	2-3/8	3/4*	1-9/16	4.6
20H200	20	3.183	3.129	3.42	-	SH	E1F	1-21/32	1-1/4	9/16	-	-	1/2	1-5/8	3.1
21H200	21	3.342	3.288	3.58	-	*	MPB1F	13/16	3-5/32	-	-	2-5/8	1*	1-11/16	5.6
22H200	22	3.501	3.447	3.75	-	SD	E1F	1-5/32	1-13/16	5/8	-	-	1/2	1-15/16	4.1
24H200	24	3.820	3.766	4.06	3.00	SD	E1F	1-5/32	1-13/16	5/8	-	-	1/2	1-15/16	4.7
26H200	26	4.138	4.084	4.38	3.31	SD	A1F	0	1-13/16	17/32	5/8	-	1/2	1-15/16	5.0
28H200	28	4.456	4.402	4.69	3.50	SD	A1F	0	1-13/16	17/32	5/8	-	1/2	1-15/16	6.2
30H200	30	4.775	4.721	5.00	3.75	SD	D1F	1/16	1-13/16	19/32	9/16	-	1/2	1-15/16	7.1
32H200	32	5.093	5.039	5.31	4.12	SK	D1F	1/32	1-7/8	11/16	11/16	-	1/2	2-1/2	8.1
36H200	36	5.730	5.676	5.95	4.62	SK	D1F	7/32	1-7/8	11/16	1/2	-	1/2	2-1/2	10.3
40H200	40	6.366	6.312	6.60	4.88	SK	D1F	7/32	1-7/8	11/16	11/16	-	1/2	2-1/2	12.2
44H200	44	7.003	6.949	7.25	5.88	SK	D1F	7/32	1-7/8	11/16	1/2	-	1/2	2-1/2	15.0
48H200	48	7.639	7.585	8.00	6.50	SF	D1F	1/8	2	15/32	9/16	-	1/2	2-3/4	18.1
60H200	60	9.549	9.495	-	8.50	SF	D3	3/16	2	17/32	1/2	-	1/2	2-3/4	19.8
72H200	72	11.459	11.405	-	10.38	SF	D3	3/16	2	17/32	1/2	-	1/2	2-3/4	24.8
84H200	84	13.369	13.315	-	12.25	SF	D3	3/16	2	17/32	1/2	-	1/2	2-3/4	29.7
96H200	96	15.279	15.225	-	14.12	E	D3	13/32	2-5/8	1/8	1/2	-	7/8	3-7/16	42.3
120H200	120	19.099	19.045	-	17.88	E	D3	13/32	2-5/8	1/8	1/2	-	7/8	3-7/16	53.8
156H200	156	24.828	24.774	-	23.50	E	D3	9/32	2-5/8	5/32	5/8	-	7/8	3-7/16	74.5
<b>For belts 3 inch wide • 1/2-inch pitch (H300) Face Width (F) = 3-3/8 • 156 H300 F = 3-1/2</b>															
16H300	16	2.546	2.492	2.78	-	*	MPB1F	11/16	4-1/16	-	-	1-7/8	3/4*	1-1/4	4.1
18H300	18	2.865	2.811	3.12	-	*	MPB1F	11/16	4-1/16	-	-	2-1/4	3/4*	1-3/8	5.4
19H300	19	3.024	2.970	3.25	-	*	MPB1F	11/16	4-1/16	-	-	2-3/8	3/4*	1-5/8	6.2
20H300	20	3.183	3.129	3.42	-	*	MPB1F	13/16	4-3/16	-	-	2-1/2	3/4*	1-7/8	7.0
21H300	21	3.342	3.288	3.58	-	*	MPB1F	13/16	4-3/16	-	...	2-5/8	1*	1-11/16	7.5
22H300	22	3.501	3.447	3.75	-	SD	E1F	2-3/16	1-13/16	5/8	-	-	1/2	1-15/16	5.1
24H300	24	3.820	3.766	4.06	3.00	SD	E1F	2-3/16	1-13/16	5/8	-	-	1/2	1-15/16	5.8
26H300	26	4.138	4.084	4.38	3.31	SD	A1F	0	1-13/16	1-9/16	5/8	-	1/2	1-15/16	6.2
28H300	28	4.456	4.402	4.69	3.50	SD	A1F	0	1-13/16	1-9/16	5/8	-	1/2	1-15/16	7.5
30H300	30	4.775	4.721	5.00	3.75	SD	A1F	7/16	1-13/16	1-1/8	1-1/16	-	1/2	1-15/16	8.7
32H300	32	5.093	5.039	5.31	4.12	SK	A1F	11/32	1-7/8	1-5/32	1-1/16	-	1/2	2-1/2	9.6
36H300	36	5.730	5.676	5.95	4.50	SK	A1F	11/32	1-7/8	1-5/32	1-1/16	-	1/2	2-1/2	12.4
40H300	40	6.366	6.312	6.60	4.88	SK	A1F	11/32	1-7/8	1-5/32	1-1/16	-	1/2	2-1/2	14.3
44H300	44	7.003	6.949	7.25	5.88	SK	A1F	9/32	1-7/8	1-7/32	1	-	1/2	2-1/2	17.6
48H300	48	7.639	7.585	7.88	6.50	SF	A1F	5/16	2	1-1/16	1	-	1/2	2-3/4	21.1
60H300	60	9.549	9.495	-	8.50	SF	A2	5/16	2	1-1/16	1	-	1/2	2-3/4	24.2
72H300	72	11.459	11.405	-	10.38	SF	A3	5/16	2	1-1/16	1	-	1/2	2-3/4	28.5
84H300	84	13.369	13.315	-	12.25	SF	A3	5/16	2	1-1/16	1	-	1/2	2-3/4	34.9
96H300	96	15.279	15.225	-	14.12	E	D3	5/32	2-5/8	29/32	3/4	-	7/8	3-7/16	48.6
120H300	120	19.099	19.045	-	17.88	D3	D3	5/32	2-5/8	29/32	3/4	-	7/8	3-7/16	62.2
156H300	156	24.828	24.774	-	23.50	D3	D3	5/32	2-5/8	29/32	3/4	-	7/8	3-7/16	86.3

\* Bored-to-suit construction, minimum plain bore, no setscrews.



DISTRIBUIDOR AUTORIZADO MEX (55) 53 63 23 31 MTY (81) 83 54 10 18  
QRO (442) 1 95 72 60 ventas@industrialmagza.com

Weights for all Sure-Grip bushed items are approximate and include the dusting.

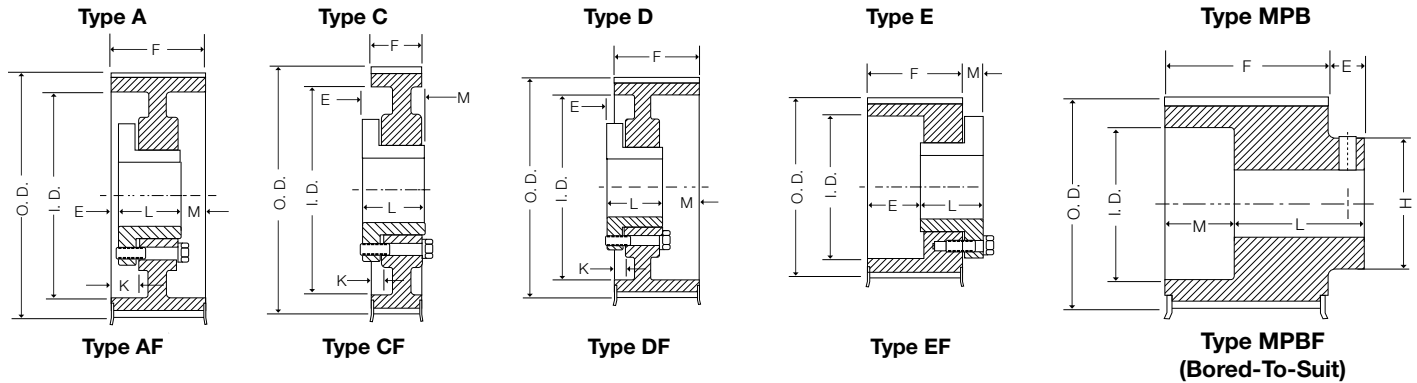
Refer to page C1—18 for balancing standards.



# Timing Sprocket XH

## Dimensions

The Timing Sprockets listed below and on the following pages are all stock sizes. The dimensions given are with the Sure-Grip bushings in place. The figure following the type sketch letter in the "type" column indicates the construction: (1—Solid, 2—Web, 3—Arms), and the letter F indicates the sprocket has flanges.



PRODUCT NUMBER	NUMBER OF GROOVES	PITCH DIAM.	O.D.		I.D.	BUSH.	TYPE	DIMENSIONS, INCHES					BORE RANGE		WT.
			Sprocket	Flange				E	L	M	K	H	Min.	Max.	
<b>For belts 2 inch wide • 7/8-inch pitch (XH200) Face Width (F) = 2-9/16</b>															
18XH200	18	5.013	4.903	5.56	-	SK	E1F	1-13/32	1-7/8	23/32	0	...	1/2	2-1/2	8.8
20XH200	20	5.570	5.460	6.09	4.00	SK	D1F	1/16	1-7/8	3/4	21/32	-	1/2	2-1/2	9.9
22XH200	22	6.127	6.017	6.47	4.38	SK	D1F	1/16	1-7/8	3/4	21/32	-	1/2	2-1/2	12.6
24XH200	24	6.685	6.575	7.18	4.94	SF	D1F	1/32	2	19/32	21/32	-	1/2	2-3/4	15.3
26XH200	26	7.241	7.131	7.78	5.50	SF	D1F	1/32	2	19/32	21/32	-	1/2	2-3/4	17.7
28XH200	28	7.799	7.689	8.38	6.25	E	D1F	7/16	2-5/8	3/8	15/32	-	7/8	3-7/16	23.8
30XH200	30	8.356	8.246	8.91	6.47	E	D1F	7/16	2-5/8	3/8	15/32	-	7/8	3-7/16	27.7
32XH200	32	8.913	8.803	9.44	7.00	E	D1F	7/16	2-5/8	3/8	15/32	-	7/8	3-7/16	31.2
36XH200	36	10.027	9.917	10.62	8.12	E	D2F	7/16	2-5/8	3/8	15/32	-	7/8	3-7/16	33.4
40XH200	40	11.141	11.031	11.71	9.25	F	C2F	1-1/32	3-5/8	1/32	1/32	-	1	3-15/16	50.5
48XH200	48	13.369	13.259	-	11.75	F	C2	1-1/32	3-5/8	1/32	1/32	-	1	3-15/16	58.0
60XH200	60	16.711	16.601	-	15.06	F	C3	1-1/32	3-5/8	1/32	1/32	-	1	3-15/16	58.6
72XH200	72	20.054	19.944	-	18.38	F	C3	1-1/32	3-5/8	1/32	1/32	-	1	3-15/16	70.1
84XH200	84	23.369	23.286	-	21.75	F	C3	1-1/32	3-5/8	1/32	1/32	-	1	3-13/16	79.0
96XH200	96	26.738	26.628	-	25.06	F	C3	1-1/32	3-5/8	1/32	1/32	-	1	3-13/16	94.1
120XH200	120	33.423	33.313	-	31.75	F	C3	1-1/32	3-5/8	1/32	1/32	-	1	3-13/16	118.3

Weights for all Sure-Grip bushed items are approximate and include the bushing.

Refer to page C1—18 for balancing standards.



DISTRIBUIDOR  
AUTORIZADO

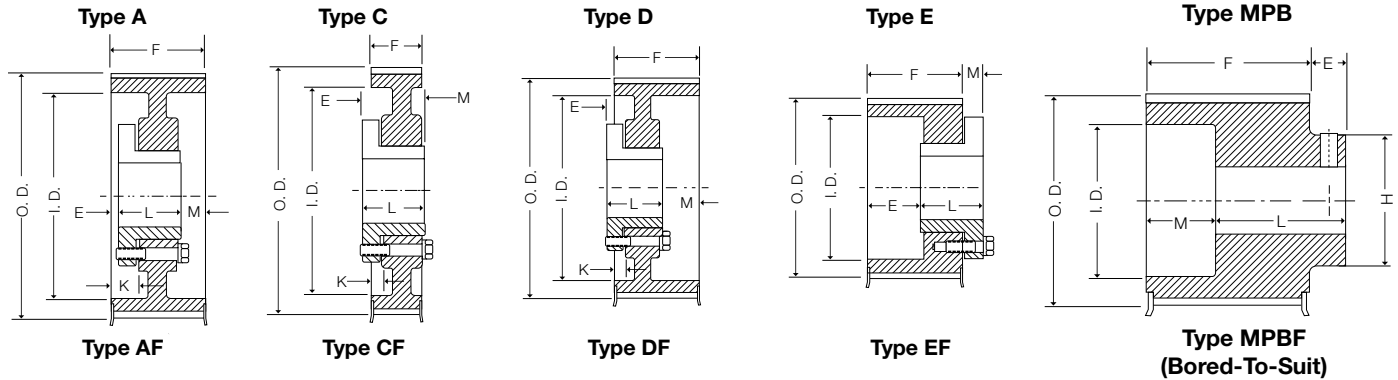
MEX (55) 53 63 23 31 MTY (81) 83 54 10 18  
QRO (442) 1 95 72 60 ventas@industrialmagza.com



# Timing Sprocket XH

## Dimensions

The Timing Sprockets listed below and on the following pages are all stock sizes. The dimensions given are with the Sure-Grip bushings in place. The figure following the type sketch letter in the "type" column indicates the construction: (1—Solid, 2—Web, 3—Arms), and the letter F indicates the sprocket has flanges.



PRODUCT NUMBER	NUMBER OF GROOVES	PITCH DIAM.	O.D.		I.D.	BUSH.	TYPE	DIMENSIONS, INCHES					BORE RANGE		WT.
			Sprocket	Flange				E	L	M	K	H	Min.	Max.	
<b>For belts 3 inch wide • 7/8-inch pitch (XH300) Face Width (F) = 3-5/8</b>															
18XH300	18	5.013	4.903	5.56	-	SK	E1F	2-15/32	1-7/8	23/32	0	-	1/2	2-1/2	11.4
20XH300	20	5.570	5.460	6.09	4.00	SK	A1F	15/32	1-7/8	1-9/32	1-3/16	-	1/2	2-1/2	12.2
22XH300	22	6.127	6.017	6.47	4.38	SK	A1F	15/32	1-7/8	1-9/32	1-3/16	-	1/2	2-1/2	15.9
24XH300	24	6.685	6.575	7.18	4.94	SF	A1F	1/2	2	1-1/8	1-3/16	-	1/2	2-3/4	19.0
26XH300	26	7.241	7.131	7.78	5.50	SF	A1F	1/2	2	1-1/8	1-3/16	-	1/2	2-3/4	21.7
28XH300	28	7.799	7.689	8.31	5.94	E	A1F	3/32	2-5/8	29/32	1	-	7/8	3-7/16	27.3
30XH300	30	8.356	8.246	8.91	6.47	E	A1F	3/32	2-5/8	29/32	1	-	7/8	3-7/16	32.5
32XH300	32	8.913	8.803	9.44	7.00	E	A1F	3/32	2-5/8	29/32	1	-	7/8	3-7/16	36.4
36XH300	36	10.027	9.917	10.62	8.12	E	A2F	3/32	2-5/8	29/32	1	-	7/8	3-7/16	39.7
40XH300	40	11.141	11.031	11.71	9.25	F	D2F	1/2	3-5/8	1/2	9/16	-	1	3-15/16	63.1
48XH300	48	13.369	13.259	-	11.75	F	D2	1/2	3-5/8	1/2	9/16	-	1	3-15/16	64.8
60XH300	60	16.711	16.601	-	15.06	F	D3	1/2	3-5/8	1/2	9/16	-	1	3-15/16	70.3
72XH300	72	20.054	19.944	-	18.38	J	D3	1-1/32	4-1/2	5/32	7/32	-	1-7/16	4-7/16	94.8
84XH300	84	23.369	23.286	-	21.75	J	D3	1-1/32	4-1/2	5/32	7/32	-	1-7/16	4-7/16	118.0
96XH300	96	26.738	26.628	-	25.06	J	D3	1-1/32	4-1/2	5/32	7/32	-	1-7/16	4-7/16	122.4
120XH300	120	33.423	33.313	-	31.75	J	D3	1-1/32	4-1/2	5/32	7/32	-	1-7/16	4-7/16	158.8
<b>For belts 4 inch wide • 7/8-inch pitch (XH400) Face Width (F) = 4-11/16</b>															
18XH400	18	5.013	4.903	5.56	-	*	MPB1F	7/8	5.56	-	-	3-11/16	1	2-1/4	18.9
20XH400	20	5.570	5.460	6.09	4.00	SK	A1F	15/32	1-7/8	2-11/32	1-3/16	-	1/2	2-1/2	14.5
22XH400	22	6.127	6.017	6.47	4.38	SK	A1F	15/32	1-7/8	2-11/32	1-3/16	-	1/2	2-1/2	18.5
24XH400	24	6.685	6.575	7.18	4.94	SF	A1F	1/2	2	2-3/16	1-3/16	-	1/2	2-3/4	22.2
26XH400	26	7.241	7.131	7.78	5.50	SF	A1F	1/2	2	2-3/16	1-3/16	-	1/2	2-3/4	25.7
28XH400	28	7.799	7.689	8.31	5.94	E	A1F	5/8	2-5/8	1-7/16	1-17/32	-	7/8	3-7/16	30.8
30XH400	30	8.356	8.246	8.91	6.47	E	A1F	5/8	2-5/8	1-7/16	1-17/32	-	7/8	3-7/16	37.3
32XH400	32	8.913	8.803	9.44	7.00	E	A1F	5/8	2-5/8	1-7/16	1-17/32	-	7/8	3-7/16	41.7
36XH400	36	10.027	9.917	10.62	8.12	E	A2F	5/8	2-5/8	1-7/16	1-17/32	-	7/8	3-7/16	45.9
40XH400	40	11.141	11.031	11.71	9.25	F	A2F	1/32	3-5/8	1-1/32	1-3/32	-	1	3-15/16	68.2
48XH400	48	13.369	13.259	-	11.75	J	D2	1/2	4-1/2	11/16	3/4	-	1-7/16	4-7/16	84.9
60XH400	60	16.711	16.601	-	15.06	J	D3	1/2	4-1/2	11/16	3/4	-	1-7/16	4-7/16	93.8
72XH400	72	20.054	19.944	-	18.38	J	D3	1/2	4-1/2	11/16	3/4	-	1-7/16	4-7/16	109.1
84XH400	84	23.369	23.286	-	21.75	J	D3	1/2	4-1/2	11/16	3/4	-	1-7/16	4-7/16	123.0
96XH400	96	26.738	26.628	-	25.06	J	D3	1/2	4-1/2	11/16	3/4	-	1-7/16	4-7/16	145.8
120XH400	120	33.423	33.313	-	31.75	J	D3	1/2	4-1/2	11/16	3/4	-	1-7/16	4-7/16	181.4

Weights for all Sure-Grip bushed items are approximate and include bushing weight.

\* Bored to suit construction, minimum plain bore, no setscrews

Refer to page C1—18 for balancing standards.



DISTRIBUIDOR AUTORIZADO MEX (55) 53 63 23 31 MTY (81) 83 54 10 18 QRO (442) 1 95 72 60 ventas@industrialmagza.com



# Timing Sprocket XXH

## Dimensions

PRODUCT NUMBER	NUMBER OF GROOVES	PITCH DIAM.	O.D.		I.D.	BUSH.	TYPE	DIMENSIONS, INCHES					BORE RANGE		WT.
			Sprocket	Flange				E	L	M	K	H	Min.	Max.	
<b>For belts 2 inch wide • 1-1/4-inch pitch (XXH200) Face Width (F) = 2-5/8</b>															
18XXH200	18	7.162	7.042	7.88	4.50	SK	D1F	1/32	1-7/8	25/32	11/16	-	1/2	2-1/2	18.1
20XXH200	20	7.958	7.838	8.69	5.31	SK	D1F	1/32	1-7/8	25/32	11/16	-	1/2	2-1/2	21.8
22XXH200	22	8.753	8.633	9.50	6.25	E	D1F	13/32	2-5/8	13/32	1/2	-	7/8	3-7/16	30.7
24XXH200	24	9.549	9.429	10.31	6.89	E	D1F	13/32	2-5/8	13/32	1/2	-	7/8	3-7/16	36.4
26XXH200	26	10.345	10.225	11.06	7.68	E	D2F	13/32	2-5/8	13/32	1/2	-	7/8	3-7/16	42.0
30XXH200	30	11.937	11.817	12.69	9.25	F	C2F	1	3-5/8	0	1/16	-	1	3-15/16	58.5
34XXH200	34	13.528	13.408	14.25	10.88	F	C2F	1	3-5/8	0	1/16	-	1	3-15/16	67.6
40XXH200	40	15.915	15.795	16.62	13.25	F	C3F	1	3-5/8	0	1/16	-	1	3-15/16	70.6
48XXH200	48	19.099	18.979	-	16.81	J	C3	1-17/32	4-1/2	11/32	-9/32	-	1-7/16	4-7/16	88.5
60XXH200	60	23.873	23.753	-	21.56	J	C3	1-17/32	4-1/2	11/32	-9/32	-	1-7/16	4-7/16	108.6
72XXH200	72	28.648	28.528	-	26.31	J	C3	1-17/32	4-1/2	11/32	-9/32	-	1-7/16	4-7/16	127.5
90XXH200	90	35.810	35.690	-	33.44	J	C3	1-17/32	4-1/2	11/32	-9/32	-	1-7/16	4-7/16	156.9
<b>For belts 3 inch wide • 1-1/4-inch pitch (XXH300) Face Width (F) = 3-11/16</b>															
18XXH300	18	7.162	7.042	7.88	4.75	SF	A1F	11/16	2	1	1-3/8	-	1/2	2-3/4	22.6
20XXH300	20	7.958	7.838	8.69	5.31	SF	A1F	11/16	2	1	1-3/8	-	1/2	2-3/4	28.2
22XXH300	22	8.753	8.633	9.50	6.25	E	A1F	1/8	2-5/8	15/16	1-1/32	-	7/8	3-7/16	36.9
24XXH300	24	9.549	9.429	10.31	6.89	E	A1F	1/8	2-5/8	15/16	1-1/32	-	7/8	3-7/16	43.8
26XXH300	26	10.345	10.225	11.06	7.68	E	A2F	1/8	2-5/8	15/16	1-1/32	-	7/8	3-7/16	50.2
30XXH300	30	11.937	11.817	12.69	9.25	F	D2F	15/32	3-5/8	17/32	19/32	-	1	3-15/16	75.0
34XXH300	34	13.528	13.408	14.25	10.88	F	D2F	15/32	3-5/8	17/32	19/32	-	1	3-15/16	78.7
40XXH300	40	15.915	15.795	16.62	13.25	F	D3F	15/32	3-5/8	17/32	19/32	-	1	3-15/16	86.2
48XXH300	48	19.099	18.979	-	16.81	J	D3	1	4-1/2	3/16	1/4	-	1-7/16	4-7/16	105.6
60XXH300	60	23.873	23.753	-	21.56	J	D3	1	4-1/2	3/16	1/4	-	1-7/16	4-7/16	128.3
72XXH300	72	28.648	28.528	-	26.31	J	D3	1	4-1/2	3/16	1/4	-	1-7/16	4-7/16	158.4
90XXH300	90	35.810	35.690	-	33.44	J	D3	1	4-1/2	3/16	1/4	-	1-7/16	4-7/16	208.8
<b>For belts 4 inch wide • 1-1/4-inch pitch (XXH400) Face Width (F) = 4-3/4</b>															
18XXH400	18	7.162	7.042	7.88	4.75	SF	A1F	11/16	2	2-1/16	1-3/8	-	1/2	2-3/4	27.3
20XXH400	20	7.958	7.838	8.69	5.31	SF	A1F	11/16	2	2-1/16	1-3/8	-	1/2	2-3/4	34.1
22XXH400	22	8.753	8.633	9.50	6.25	E	A1F	21/32	2-5/8	1-15/32	1-9/16	-	7/8	3-7/16	43.1
24XXH400	24	9.549	9.429	10.31	6.89	E	A1F	21/32	2-5/8	1-15/32	1-9/16	-	7/8	3-7/16	51.3
26XXH400	26	10.345	10.225	11.06	7.68	F	A1F	1/16	3-5/8	1-1/16	1-1/8	-	1	3-15/16	67.6
30XXH400	30	11.937	11.817	12.69	9.25	F	A2F	1/16	3-5/8	1-1/16	1-1/8	-	1	3-15/16	77.9
34XXH400	34	13.528	13.408	14.25	10.88	J	D2F	15/32	4-1/2	23/32	25/32	-	1-7/16	4-7/16	102.5
40XXH400	40	15.915	15.795	16.62	13.25	J	D3F	15/32	4-1/2	23/32	25/32	-	1-7/16	4-7/16	112.2
48XXH400	48	19.099	18.979	-	16.81	J	D3	15/32	4-1/2	23/32	25/32	-	1-7/16	4-7/16	119.9
60XXH400	60	23.873	23.753	-	21.56	M	C3	1-11/16	6-3/4	5/16	-7/32	-	2	5-1/2	203.3
72XXH400	72	28.648	28.528	-	26.31	M	C3	1-11/16	6-3/4	5/16	-7/32	-	2	5-1/2	258.3
90XXH400	90	35.810	35.690	-	33.44	M	C3	1-11/16	6-3/4	5/16	-7/32	-	2	5-1/2	293.9
<b>For belts 5 inch wide • 1-1/4-inch pitch (XXH500) Face Width (F) = 5-13/16</b>															
18XXH500	18	7.162	7.042	7.88	4.50	*	MPB1F	1-1/4	5	2-1/16	-	5	1-1/4*	3-1/4	48.6
20XXH500	20	7.958	7.838	8.69	5.31	*	MPB1F	1-1/4	5	2-1/16	-	5-7/8	1-1/4*	3-1/4	61.0
22XXH500	22	8.753	8.633	9.50	6.25	E	A1F	1-3/16	2-5/8	2	2-3/32	-	7/8	3-7/16	49.4
24XXH500	24	9.549	9.429	10.31	6.89	F	A1F	19/32	3-5/8	1-19/32	1-21/32	-	1	3-15/16	65.9
26XXH500	26	10.345	10.225	11.06	7.68	F	A1F	19/32	3-5/8	1-19/32	1-21/32	-	1	3-15/16	75.7
30XXH500	30	11.937	11.817	12.69	9.25	J	A1F	1/16	4-1/2	1-1/4	1-5/16	-	1-7/16	4-7/16	109.1
34XXH500	34	13.528	13.408	14.25	10.88	J	A2F	1/16	4-1/2	1-1/4	1-5/16	-	1-7/16	4-7/16	113.6
40XXH500	40	15.915	15.795	16.62	13.25	J	A3F	1/16	4-1/2	1-1/4	1-5/16	-	1-7/16	4-7/16	125.9
48XXH500	48	19.099	18.979	-	16.81	M	D3	1-5/32	6-3/4	7/32	5/16	-	2	5-1/2	188.7
60XXH500	60	23.873	23.753	-	21.56	M	D3	1-5/32	6-3/4	7/32	5/16	-	2	5-1/2	229.3
72XXH500	72	28.648	28.528	-	26.31	M	D3	1-5/32	6-3/4	7/32	5/16	-	2	5-1/2	266.5
90XXH500	90	35.810	35.690	-	33.44	M	D3	1-5/32	6-3/4	7/32	5/16	-	2	5-1/2	363.1

\* Bored-to-suit construction, minimum plain bore, no setscrews.



**DISTRIBUIDOR AUTORIZADO** MEX (55) 53 63 23 31 MTY (81) 83 54 10 18  
QRO (442) 1 95 72 60 ventas@industrialmagza.com

**Weights for all Sure-Grip bushed items are approximate and include the bushing.**

Refer to page C1—18 for balancing standards.



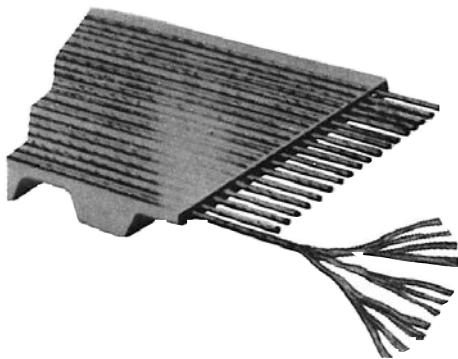
## Construction

Timing belt drives are built on a revolutionary tooth-grip principle. The molded teeth of the belt are designed to make positive engagement with the mating axial grooves on the pulleys. These teeth enter and leave the grooves in a smooth, rolling manner—with negligible friction; they function in much the same manner as the teeth on a gear. The tooth profile is the result of years of engineering research and development.

Timing belts, unlike most other types of belts, do not derive their great tensile strength from their thickness. Instead, these belts are built extremely *thin* with teeth; yet they are all “muscle”—with tension members that give them inherent power to *grip* and to *pull*.

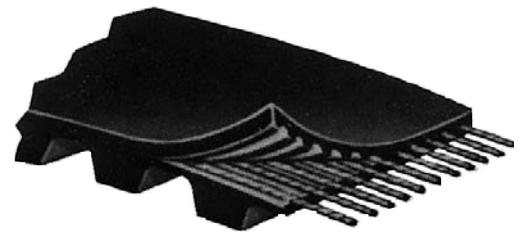
In many respects both the engineering and the nomenclature of these timing belts parallel those of chain and gear drives. The relationship between a synchronous belt and its matching grooved pulley is similar to that between an internal ring gear and its pinion.

The construction of the timing belt is not complex. It consists of only four components.



### 1. The Tension Member

Continuous, helically wound fiberglass cords—the pulling or load-carrying element, the very heart of the belt. This tension member is the secret of the belt’s enormous tensile strength, its excellent flex life, its high resistance to elongation.



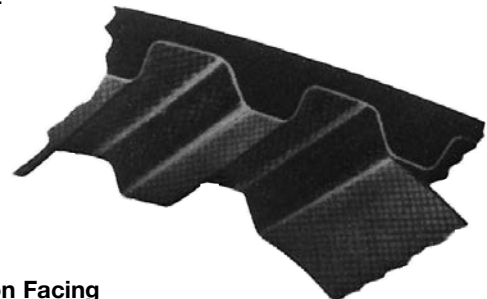
### 2. The Neoprene Backing

The durable, flexible backing that encases the load-carrying tension member. Made of strong, wear-resisting neoprene, bonded to the tension member—and built thin. It protects the cords from grime, oil, moisture—also from frictional wear if power is transmitted from back of belt. It is highly resistant to action of machine oils (but not to vegetable and water-soluble coolant oils). For severe oil conditions, belts can be made of special oil-resisting compounds.



### 3. The Neoprene Teeth

Molded integral with the neoprene backing that protects the fiberglass cords. Made of a shear-resistant, moderately hard neoprene compound. These teeth—to assure correct engagement with the pulley grooves—are precisely formed and accurately spaced. They are so located that the tooth root line lies substantially on the pitch line; thus the tooth spacing (circular pitch) of the belt is not altered by flexing. The belt tooth strength actually exceeds the tensile strength when 6 or more teeth are in mesh.



### 4. The Nylon Facing

The tough, wear-resistant fabric that covers the belt’s wearing surfaces. Made of tough nylon duck with low coefficient of friction, this facing protects the tooth surfaces in much the same way that case-hardening protects the wearing surfaces of steel. This facing, after long service, becomes highly polished; it normally outlasts the other components of the belt.



DISTRIBUIDOR  
AUTORIZADO

MEX (55) 53 63 23 31 MTY (81) 83 54 10 18  
QRO (442) 1 95 72 60 [ventas@industrialmagza.com](mailto:ventas@industrialmagza.com)



# Timing Belts

## Dimensions

### XL (1/5-inch Pitch)

PRODUCT NO.	PITCH LENGTH	NO. OF TEETH	WT./WIDTH (LBS)		PRODUCT NO.	PITCH LENGTH	NO. OF TEETH	WT./WIDTH (LBS)	
			.025	.037				.025	.037
50XL	5.00	25	.01	.01	250XL	25.00	125	.03	.04
60XL	6.00	30	.01	.01	260XL	26.00	130	.03	.04
70XL	7.00	35	.01	.01	280XL	28.00	140	.03	.04
80XL	8.00	40	.01	.01	290XL	29.00	145	.04	.04
90XL	9.00	45	.01	.01	300XL	30.00	150	.04	.04
100XL	10.00	50	.01	.01	310XL	31.00	155	.04	.05
110XL	11.00	55	.01	.02	330XL	33.00	165	.04	.05
120XL	12.00	60	.01	.02	340XL	34.00	170	.04	.05
130XL	13.00	65	.01	.02	350XL	35.00	175	.04	.06
140XL	14.00	70	.01	.02	370XL	37.00	185	.04	.06
150XL	15.00	75	.02	.02	380XL	38.00	190	.04	.06
160XL	16.00	80	.02	.02	390XL	39.00	195	.04	.06
170XL	17.00	85	.02	.03	400XL	40.00	200	.04	.06
180XL	18.00	90	.02	.03	420XL	42.00	210	.04	.06
190XL	19.00	95	.02	.03	450XL	45.00	225	.04	.06
200XL	20.00	100	.02	.03	460XL	46.00	230	.04	.06
210XL	21.00	105	.02	.03	480XL	48.00	240	.04	.08
220XL	22.00	110	.02	.03	500XL	50.00	250	.06	.08
230XL	23.00	115	.02	.03	570XL	57.00	285	.06	.08
240XL	24.00	120	.02	.04	630XL	63.00	315	.08	.10
					770XL	77.00	385	.08	.12

### L (3/8-inch Pitch)

PRODUCT NO.	PITCH LENGTH	NO. OF TEETH	WT./WIDTH (LBS)		
			.050	.075	.100
124L	12.38	33	.02	.05	.07
135L	13.50	36	.02	.05	.07
150L	15.00	40	.03	.06	.08
165L	16.50	44	.03	.06	.08
187L	18.75	50	.04	.07	.09
195L	19.50	52	.04	.08	.10
210L	21.00	56	.04	.08	.10
225L	22.50	60	.05	.08	.11
240L	24.00	64	.06	.09	.12
255L	25.50	68	.06	.09	.13
270L	27.00	72	.06	.10	.13
285L	28.50	76	.07	.10	.14
300L	30.00	80	.07	.11	.15
322L	32.25	86	.08	.12	.16
345L	34.50	92	.08	.13	.17
367L	36.75	98	.09	.13	.18
390L	39.00	104	.09	.14	.19
420L	42.00	112	.10	.15	.21
450L	45.00	120	.11	.16	.22
480L	48.00	128	.12	.17	.24
510L	51.00	136	.12	.18	.25
540L	54.00	144	.13	.20	.26
600L	60.00	160	.13	.21	.27
660L	66.00	176	.16	.24	.32
817L	81.75	218	.20	.30	.42
900L	90.00	240	.22	.32	.44

### H (1/2-inch Pitch)

PRODUCT NO.	PITCH LENGTH	NO. OF TEETH	WT./WIDTH (LBS)				
			.075	.100	.150	.200	.300
210H	21.00	42	.12	.16	.25	.33	.49
220H	22.00	44	.13	.17	.27	.35	.52
230H	23.00	46	.13	.19	.28	.38	.56
240H	24.00	48	.13	.20	.28	.41	.56
270H	27.00	54	.15	.21	.31	.44	.63
300H	30.00	60	.17	.23	.35	.47	.70
320H	32.00	64	.18	.24	.36	.49	.73
330H	33.00	66	.19	.25	.38	.51	.77
340H	34.00	68	.19	.26	.40	.53	.79
350H	35.00	70	.20	.27	.41	.55	.81
360H	36.00	72	.20	.28	.42	.56	.84
370H	37.00	74	.21	.29	.42	.58	.87
390H	39.00	78	.22	.30	.45	.61	.91
400H	40.00	80	.23	.31	.47	.63	.93
410H	41.00	82	.23	.31	.48	.64	.95
420H	42.00	84	.24	.32	.49	.65	.98
450H	45.00	90	.25	.35	.52	.70	1.05
480H	48.00	96	.27	.37	.56	.75	1.12
490H	49.00	98	.28	.38	.57	.77	1.15
510H	51.00	102	.29	.39	.59	.79	1.19
540H	54.00	108	.30	.41	.63	.84	1.26
560H	56.00	112	.31	.42	.65	.86	1.30
570H	57.00	114	.32	.44	.66	.89	1.33
585H	58.50	117	.33	.45	.68	.91	1.37
600H	60.00	120	.34	.46	.70	.93	1.40

PRODUCT NO.	PITCH LENGTH	NO. OF TEETH	WT./WIDTH (LBS)				
			.075	.100	.150	.200	.300
630H	63.00	126	.35	.48	.73	.98	1.47
645H	64.50	129	.36	.49	.75	1.00	1.50
660H	66.00	132	.37	.51	.77	1.02	1.54
700H	70.00	140	.39	.54	.81	1.09	1.64
730H	73.00	146	.41	.56	.83	1.12	1.69
750H	75.00	150	.42	.58	.87	1.16	1.75
780H	78.00	156	.43	.59	.89	1.20	1.80
800H	80.00	160	.45	.61	.93	1.24	1.87
820H	82.00	164	.40	.63	.95	1.27	1.93
840H	84.00	168	.47	.64	.97	1.29	1.95
850H	85.00	170	.48	.68	.99	1.32	1.99
900H	90.00	180	.51	.69	1.04	1.40	2.10
960H	96.00	192	.54	.73	1.10	1.47	2.22
1000H	100.00	200	.56	.77	1.16	1.55	2.35
1100H	110.00	220	.62	.84	1.27	1.71	2.57
1140H	114.00	228	.66	.90	1.36	1.83	2.74
1250H	125.00	250	.70	.96	1.45	1.94	2.92
1400H	140.00	280	.79	1.07	1.62	2.17	3.27
1550H	155.00	310	.88	1.19	1.79	2.40	3.62
1700H	170.00	340	.96	1.30	1.95	2.63	3.97



Note: For complete product number, add width to belt length given in Product No. column.  
 Examples: 50XL025 or 310XL037.  
 MEX (55) 53 63 23 31 MTY (81) 83 54 10 18  
 QRO (442) 1 95 72 60 ventas@industrialmagza.com





### XH (7/8-inch Pitch)

PRODUCT NO.	PITCH LENGTH	NO. OF TEETH	WT./WIDTH (LBS)		
			200	300	400
507XH	50.75	58	2.11	3.16	4.22
560XH	56.00	64	2.33	3.49	4.66
630XH	63.00	72	2.62	3.93	5.24
700XH	70.00	80	2.91	4.37	5.82
770XH	77.00	88	3.20	4.81	6.41
840XH	84.00	96	3.49	5.24	6.99
980XH	98.00	112	4.08	6.12	8.15
1120XH	112.00	128	4.66	6.99	9.32
1260XH	126.00	144	5.24	7.86	10.48
1400XH	140.00	160	5.82	8.74	11.65
1540XH	154.00	176	6.41	9.61	12.81
1750XH	175.00	200	7.28	10.92	14.56

### XXH (1-1/4-inch Pitch)

PRODUCT NO.	PITCH LENGTH	NO. OF TEETH	WT./WIDTH (LBS)			
			200	300	400	500
700XXH	70.00	56	4.09	6.13	8.18	10.22
800XXH	80.00	64	4.67	7.01	9.34	11.68
900XXH	90.00	72	5.26	7.88	10.51	13.14
1000XXH	100.00	80	5.84	8.76	11.68	14.50
1200XXH	120.00	96	7.01	10.51	14.60	17.52
1400XXH	140.00	112	8.18	12.26	16.35	20.44
1600XXH	160.00	128	9.34	14.02	18.69	23.36
1800XXH	180.00	144	10.57	15.77	21.02	26.28

Note: For complete product number, add width to belt length given in Product No. column.

Examples: 700XH300 or 1200XXH200.

## STOCK BELT TOLERANCES

### LENGTH TOLERANCES

on center distance\*

BELT LENGTH, INCHES	TOLERANCE
5 to 10	± .008
over 10 to 15	± .009
over 15 to 20	± .010
over 20 to 30	± .012
over 30 to 40	± .013
over 40 to 50	± .015
over 50 to 60	± .016
over 60 to 70	± .017
over 70	add .001" for each 10.0" increase in belt length

\* These tolerances are for reference only.  
For fixed center drive applications, consult the factory.

Tolerances on special belts on application.

### WIDTH TOLERANCES

for 1/2-in. pitch belts and under\*\*

BELT WIDTH, INCHES	BELT LENGTH, INCHES		
	0 TO 33	33 TO 66	OVER 66
1/8 to 7/16	+ 1/64 - 1/32	+ 1/64 - 1/32	-
over 7/16 to 1-1/2	+ 1/32 - 1/32	+ 1/32 - 3/64	+ 1/32 - 3/64
over 1-1/2 to 2	+ 1/32 - 3/64	+ 3/64 - 3/64	+ 3/64 - 1/16
over 2 to 2-1/2	+ 3/64 - 3/64	+ 3/64 - 1/16	+ 1/16 - 1/16
over 2-1/2 to 3	+ 3/64 - 1/16	+ 1/16 - 1/16	+ 1/16 - 1/16
over 3 to 4	+ 1/16 - 1/16	+ 1/16 - 5/64	+ 5/64 - 5/64
over 4	+ 3/32 - 3/32	+ 3/32 - 7/64	+ 3/32 - 1/8

\*\* For other pitch belts up to and including 4 inches wide tolerance = ± 3/16 in.  
For belts over 4 inches wide tolerance = +3/16 - 1/4".



DISTRIBUIDOR  
AUTORIZADO

MEX (55) 53 63 23 31  
QRO (442) 1 95 72 60

MTY (81) 83 54 10 18  
ventas@industrialmagza.com



# Twin Power

Twin Power Timing Belts have fully molded and jacketed teeth on both sides. Twin Power Timing Belts can transmit 100% of their maximum rated load from either side of the belt or in any combination where the sum of loading exerted on both sides does not exceed the maximum rating of the belt. Prior to the development of fully-molded construction, conventional timing belts were manufactured with extra rubber on the backside of the belts. This extra rubber was then ground to provide the tooth profile on the second side of the belt. The disadvantage of

this method was that the ground tooth could only transmit 35% of the load of a conventional molded tooth. Further disadvantages were that it is virtually impossible to adhere nylon fabric to the ground tooth surface to retard wear and reduce friction. The advent of fully-molded construction has eliminated these load capacity and wear problems. While Twin Power Timing Belts provide unique solutions to difficult design problems, their construction similarities to conventional timing belts allow essentially the same design parameters.

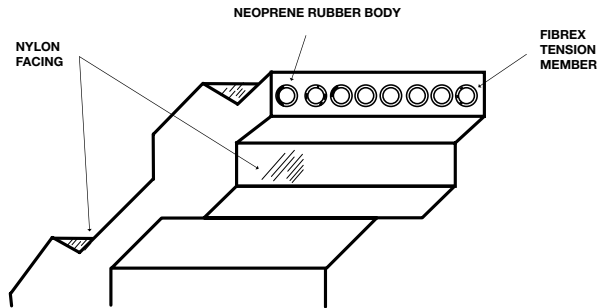
## TWIN POWER SPECIFICATION

The prefix “TP” precedes the standard code to differentiate Twin Power from regular one-sided timing belts. For example, a 26” long, 1/5” pitch, 3/8” wide Twin Power Timing Belt is specified: TP260XL037.

## TWIN POWER CONSTRUCTION

Twin Power Timing Belts have the identical basic components as our standard timing belts, namely:

- Tension Member – Fibrex (fiberglass) cords, helically wound, provide the same load-carrying elements as in the standard timing belt.
- Neoprene Body – Standard Neoprene compound provides tooth material and support for fibrex cords.
- Nylon Facing – Specially treated nylon fabric adhered through patented process provides tough wear-resistant tooth surface with minimal friction.



## TWIN POWER SIZES AVAILABLE

### XL (1/5-inch Pitch)

PITCH LENGTH CODES				STANDARD WIDTH CODES	
TP140XL	TP190XL	TP240XL	TP300XL		
TP150XL	TP200XL	TP250XL	TP310XL		
TP160XL	TP210XL	TP260XL	TP330XL	1/4"	- 025
TP170XL	TP220XL	TP280XL		3/8"	- 037
TP180XL	TP230XL	TP290XL			

### L (3/8-inch Pitch)

PITCH LENGTH CODES				STANDARD WIDTH CODES	
TP210L	TP285L	TP390L	TP540L		
TP225L	TP300L	TP420L	TP600L	1/2"	- 050
TP240L	TP322L	TP450L	TP660L	3/4"	- 075
TP255L	TP345L	TP480L		1"	- 100
TP270L	TP367L	TP510L			

### H (1/2-inch Pitch)

PITCH LENGTH CODES				STANDARD WIDTH CODES	
TP360H	TP510H	TP660H	TP900H	3/4"	- 075
TP390H	TP540H	TP700H	TP1000H	1"	- 100
TP420H	TP570H	TP750H	TP1100H	1 1/2"	- 150
TP450H	TP600H	TP800H		2"	- 200
TP480H	TP630H	TP850H		3"	- 300



DISTRIBUIDOR AUTORIZADO MEX (55) 53 63 23 31 MTY (81) 83 54 10 18 QRO (442) 1 95 72 60 ventas@industrialmagza.com



There are many special Timing belts in use today. These special belts are necessary for one reason or another. The belt may be of special pitch, length, and/or construction. When replacement belts are required, complete information on the original belts must be given. A typical special belt number would be No. 9108 x 3-V8N2. This information is necessary at all times when requesting price or when ordering belts. The omission of any

section of this number makes it impossible to furnish. The mold for making Special Timing Belts is normally 15 inches wide and will make a slab this wide which will then be cut into the desired widths. Special belts must always be purchased in the minimum and multiple quantities as shown in the table below.

## MINIMUM AND MULTIPLE QUANTITIES PER ORDER BASED ON 15" MOLD

MADE-TO-ORDER belts must be ordered in minimum quantities. Consult factory for minimum quantity.

NOMINAL BELT WIDTH, INCHES	NO. OF BELTS	NOMINAL BELT WIDTH, INCHES	NO. OF BELTS	NOMINAL BELT WIDTH INCHES	NO. OF BELTS	NOMINAL BELT WIDTH, INCHES	NO. OF BELTS	NOMINAL BELT WIDTH, INCHES	NO. OF BELTS
1/8	116	13/32	34	7/8	16	1-7/8	7	4	3
5/32	90	7/16	33	15/16	15	2	7	4-1/2	3
3/16	80	15/32	30	1	14	2-1/4	6	5	2
7/32	64	1/2	29	1-1/8	13	2-1/2	5	5-1/2	2
1/4	60	9/16	26	1-1/4	11	2-3/4	5	6	2
9/32	50	5/8	23	1-3/8	10	3	4	6-1/2	2
5/16	48	11/16	21	1-1/2	9	3-1/4	4	7	2
11/32	42	3/4	20	1-5/8	9	3-1/2	4	8	1
3/8	40	13/16	17	1-3/4	8	3-3/4	3	-	-

**Example:** For MADE-TO-ORDER belts 2 inches wide, the minimum quantity is 7 belts. Minimum quantity for belts 3 inches wide is 4 belts. Minimum quantity for 1/2-inch wide belts is 29 belts.

Orders must also specify the exact number of belts desired by the customer. This exact number may differ from the minimum quantity required on the order. Possible rejects can reduce the total number furnished.

**Example:** Customer requires 5 MADE-TO-ORDER belts 2 inches wide. Minimum quantity order is for 7 belts. However, due to factory reject of 1 belt, customers will be shipped 6 belts.

**NOTE:** New molds may be 30" wide. Consult factory for information.

## MINIMUM AND MAXIMUM BELT WIDTHS AND LENGTHS

BELT	BELT LENGTH, INCHES	WIDTH, INCHES	
		MINIMUM	MAXIMUM
XL 1/5 in.	Under 30	3/16	14-1/2
	30 to 60	1/4	14-1/2
	60 to 180	1/2	14-1/2
L 3/8 in.	8 to 60	1/4	14-1/2
	60 to 180	1/2	14-1/2
H 1/2 in.	20 to 180	1/2	14-1/2
XH 7/8 in.	50 to 180	2	14
XXH 1-1/4 in.	70 to 180	2	14

## SPECIAL CONSTRUCTION

### Static Dissipating—

Resistivity of 6 megohms or less

### Low Temperature—

For dry operating temperature range of -65°F. to +180°F. (-54°C. to + 82°C.)

### High Temperature—

For dry operating temperature range of -40°F. to +230°F. (Stock belt temperature range: -30°F. to +185°F.) (-40°C. to +110°C.)

### Oil Resistant—

For excessive oil atmosphere, including immersion in commercial motor oil; temperature range of -20°F. to +240°F. in oil. (Dry: -20°F. to +210°F.) (-29°C. to +99°C.)

### Non-Marking—

For conveyors, food handling, etc. Light grey neoprene 50 to 60 shore durometer.

### Ground Backing—

Special applications involving vibration or outside idlers. Class 17 605 or Class 11 or 1010. [ventas@industrialmagza.com](mailto:ventas@industrialmagza.com)

### Extra Backing Rubber Thickness—

For functional and special applications.



DISTRIBUIDOR AUTORIZADO MEX (55) 53 63 23 31 MTY (81) 83 54 10 18 QRO (442) 1 95 72 60 [ventas@industrialmagza.com](mailto:ventas@industrialmagza.com)



# Cotton Cleaner Drives

**Greatly Increases Output** — The positive action of Wood's Cotton Cleaner Drives maintains accurate driven speeds . . . delivers full power to the cylinder train . . . minimizes choke-ups . . . provides much greater output than conventional V-belt drives. Molded, nylon-faced, neoprene teeth engage grooved, gear-like pulleys, completely eliminating slippage.

**No Belt Stretch, No Idlers** — Wood's Cotton Cleaner Drive belts have amazing strength, are reinforced with continuous, helically wound steel cables. There is no stretch . . . no need for idlers or retensioning to take up belt slack. Thin, readily flexible construction eliminates heat build-up, maintains high operating efficiency. These belts are unaffected by dirt, oil or grease. They have been proved in thousands of applications.

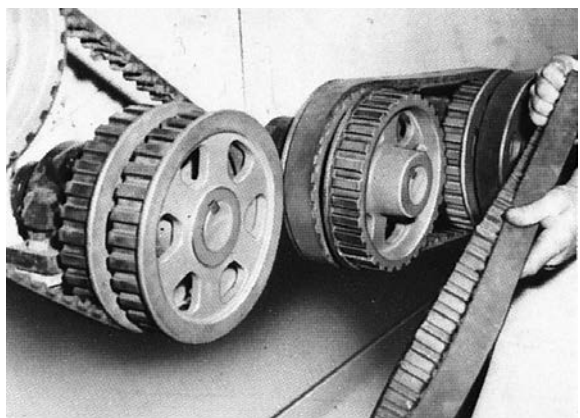
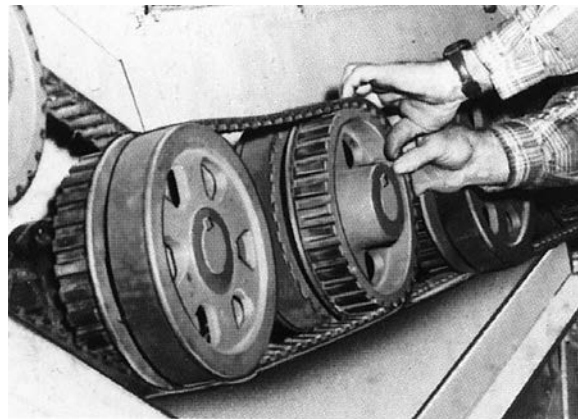
**Longer Life, Less Maintenance** — Because Wood's Cotton Cleaner Drives do not rely upon friction, there is no need for high drive tension. Bearing and drive life are lengthened considerably through elimination of this constant, destructive load. There is no metal-to-metal contact . . . no need for lubrication or maintenance. Belt throwoff is eliminated. And, these drives are almost entirely self-cleaning.

**Save Substantially** in belt replacement time. Gear-like construction and absence of high tension enable you to remove belts from inside or outside pulleys, simply and easily, without spreader or pull-off tools.

**Easy to Install** — Wood's Cotton Cleaner Drives are easy to install and remove. You can install them in less than half the time required for conventional V-belt types. No special tools are required. No costly equipment changes are necessary.

**No Inventory Problems** — One pulley size is used for all cotton cleaner cylinder drives. Pulleys are statically balanced and supplied bored to size or to accommodate Sure-Grip, tapered, QD-type interchangeable bushings. Belts are available in sizes for 14-1/4, 16-1/2, 17 and 17-1/2-inch fixed centers.

Wood's Cotton Cleaner Drives consist of two pulleys, one belt and, when indicated, two bushings. When ordering, please specify whether bushed or bored-to-size, shaft size and whether drive is to be used on 14-1/4, 16-1/2, 17 or 17-1/2-inch center.



No spreader or pull-off tools are needed to replace belts.



DISTRIBUIDOR  
AUTORIZADO

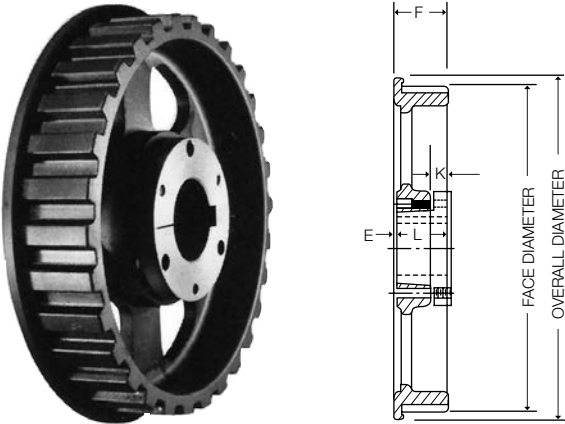
MEX (55) 53 63 23 31 MTY (81) 83 54 10 18  
QRO (442) 1 95 72 60 ventas@industrialmagza.com



DISTRIBUIDOR  
AUTORIZADO

MEX (55) 53 63 23 31 MTY (81) 83 54 10 18  
QRO (442) 1 95 72 60 ventas@industrialmagza.com

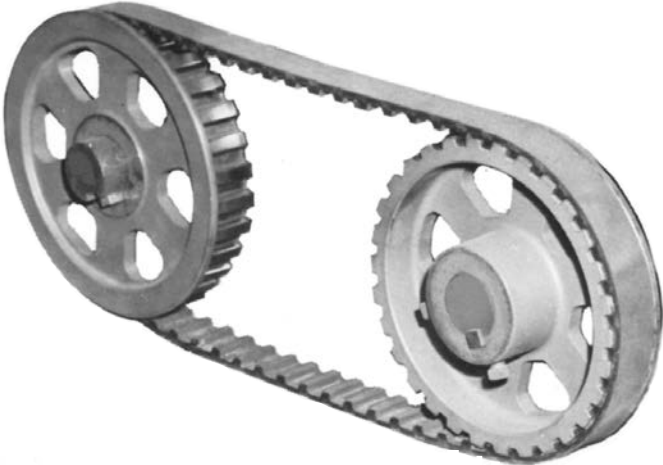
## SPROCKETS



## DIMENSIONS

PRODUCT NUMBER	NO. GROOVES	FACE DIAMETER	O.A. DIAMETER	TYPE	BUSHING	E	F	K	L	WT.
21CCP	21	6.594	7-3/16	Bushed	SK	1/16	1-15/16	5/8	1-7/8	11.5
30CCP	30	9.459	10	Bushed	SK	1/16	1-15/16	5/8	1-7/8	16.5
32CCP	32	10.278	10-13/16	Bushed	SK	1/16	1-15/16	5/8	1-7/8	18.5
38CCP	38	12.006	12-5/8	Bushed	SK	1/16	1-15/16	5/8	1-7/8	23.5

## BELTS



## DIMENSIONS

PRODUCT NUMBER	PITCH LENGTH (IN.)	CENTER DISTANCE (IN.)
60CCB150	60.0	15.0
61CCB142	61.0	14.25*
63CCB165	63.0	16.5**
64CCB170	64.0	17.0**
65CCB175	65.0	17.5**

\*When used with 32-groove sprockets.  
 \*\*When used with 30-groove sprockets.

**NOTE:** The 32-groove pulleys must be used with the 6



DISTRIBUIDOR AUTORIZADO MEX (55) 53 63 23 31 MTY (81) 83 54 10 18 QRO (442) 1 95 72 60 [ventas@industrialmagza.com](mailto:ventas@industrialmagza.com)





# General Engineering Information

CES

- **Drive Installation & Alignment**
- **Sprocket Diameter Calculation**
- **Materials**
- **Use of Flanged Sprockets**
- **Fixed Centers Drives**
- **Teeth In Mesh**
- **Belt Pull & Bearing Loads**
- **Idler Use**
- **Troubleshooting Guide**

Below are some terms and abbreviations used on the following pages.

**HP** = Horsepower  
**DHP** = Design Horsepower  
**RPM** = Revolutions Per Minute  
**D** = Large Diameter Wheel

**Ac** = Arc Correction Factor  
**Lc** = Length Correction Factor  
**C** = Center Distance  
**d** = Small Diameter Wheel



**DISTRIBUIDOR  
AUTORIZADO**

MEX (55) 53 63 23 31 MTY (81) 83 54 10 18  
QRO (442) 1 95 72 60 [ventas@industrialmagza.com](mailto:ventas@industrialmagza.com)



# Synchronous Belt

## Installation

### Align Sprockets

Sprocket alignment and parallelism of the shafts is very important. Proper alignment helps to equalize the load across the entire belt width, thereby reducing wear and extending belt life. The sketches below show how to align a Synchronous drive properly. **PLACE A STRAIGHTEDGE** against the outside edge of the sprockets as shown in Figure 6; Figure 7 shows the four points where the straightedge should touch the sprockets.

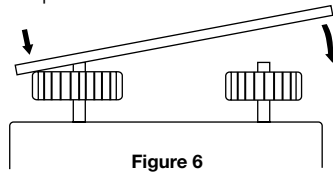


Figure 6

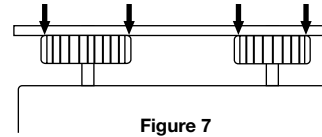


Figure 7

The straightedge should cross the sprockets at the widest possible part. (See Figure 8.) **OR USE A STRING.** Tie a string around either shaft (Figure 9) and pull it around and across the outer edge of both sprockets. Figure 10 shows how the string should touch four points when the drive is properly aligned. After aligning the sprockets, check the rigidity of the supporting framework. Shafts should be well supported to prevent distortion and a resulting change in the center distance under load. Do not use spring-loaded or weighted idlers. Idler sprockets or pulleys must be locked into position after adjusting belt tension. **Please note: At least one sprocket must have a flange.**

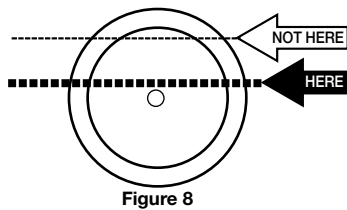


Figure 8

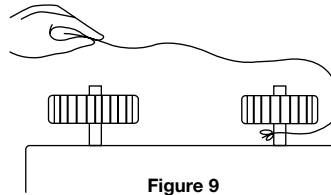


Figure 9

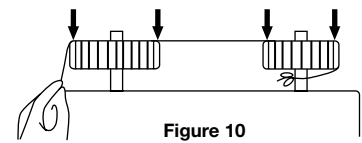


Figure 10

### Install Belt

Do not pry or otherwise force the belt onto the sprockets, as this can result in permanent damage to the belt. Either remove the sprocket's outside flange or reduce the center distance between the sprockets so that the belt can be easily installed.

### Belt Tensioning – General Method

This method of tensioning Synchronous belts should satisfy most drive requirements.

- Step 1. Reduce the center distance so that the belt can be placed onto the sprockets without forcing or prying it over the flanges.
- Step 2. Increase the belt tension until the belt feels snug or taut. Avoid over-tensioning the belt.
- Step 3. Start the drive and apply the most severe load condition. This may be either the motor starting torque or during the work cycle. A belt that is too loose will "jump teeth" under the most severe load condition. When this occurs, gradually increase the belt tension until satisfactory operation is achieved.

### Belt Tensioning – Force Deflection Method

A numerical method can be used to properly tension the belt on a Synchronous drive. This procedure, commonly referred to as the Force Deflection Method, consists of measuring the pounds of force required to deflect the belt a given amount.

- Step 1. Install the belt as per Steps 1 and 2 of the General Method. Measure the span length (in inches) as illustrated in Figure 11.
- Step 2. From Figure 11 determine the deflection height required for the drive. The deflection height is always 1/64" per inch of span length. For example, a 32" span length requires a deflection of 32/64" or 1/2". To measure the deflection height place a straightedge from sprocket to sprocket on top of the belt or wrap a string or steel tape around the sprockets on top of the belt. This will serve as a reference line to measure deflection inches.
- Step 3. Using the formula at right, calculate the minimum and maximum force values (lbs.).

- Step 4. Using a spring scale, apply a perpendicular force to the belt at the mid-point of the span as illustrated in Figure 11. NOTE: For belts wider than 2 inches, it is suggested that a rigid piece of keystone or something similar be placed across the belt between the point of force and the belt to prevent belt distortion. Compare this deflection force value to that found in Step 3. Adjust belt tension accordingly.

Actual belt installation tension required depends on peak loads, system rigidity, teeth in mesh, etc. In some instances it may be necessary to gradually increase the belt tension to achieve proper operation of the drive.

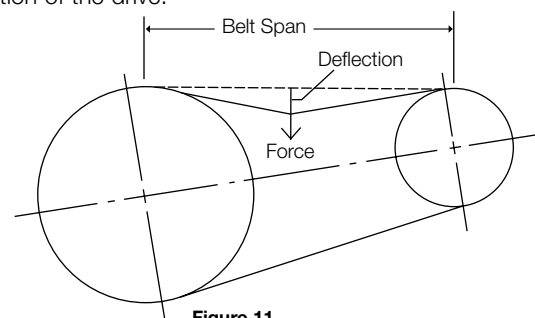


Figure 11

$$\text{Maximum Force} = \frac{4000 \times \text{DHP}}{\text{RPM} \times \text{Pitch Diameter}}$$

$$\text{Minimum Force} = \frac{5000 \times \text{BHP}}{\text{RPM} \times \text{Pitch Diameter}}$$

$$\text{DHP} = \frac{\text{Belt Horsepower or Motor Horsepower}}{\text{Recommended Service Factor}}$$

$$\text{BHP} = \frac{\text{Brake Horsepower or Motor Horsepower}}{\text{RPM} = \text{Speed of Fastest Shaft}}$$

$$\text{Pitch Diameter} = \text{Diameter of Smallest Sprocket}$$



To determine the diameter of MTO sprockets with a number of teeth other than those listed in our stock offering.

Outside Diameter (mm) 5M RPP Plus =  $(1.5915 \times \text{NGR}) - 1.140$   
Outside Diameter (mm) 8M RPP Plus =  $(2.5565 \times \text{NGR}) - 1.372$   
Outside Diameter (mm) 14M RPP Plus =  $(4.4563 \times \text{NGR}) - 2.794$   
Outside Diameter (mm) 20M RPP Plus =  $(6.3662 \times \text{NGR}) - 4.320$

Outside Diameter (mm) 8M QT Powerchain =  $(2.5433 \times \text{NGR}) - 1.2427$   
Outside Diameter (mm) 14M QT Powerchain =  $(4.4541 \times \text{NGR}) - 2.6627$

NGR = Number of Grooves  
To convert (mm) to Inches multiply by .03937

### Materials

Cast Iron Maximum FPM = 6500  
Ductile Iron Maximum FPM = 10,000

### Flanged Sprockets

Due to the tracking characteristics, even on the best aligned drives, all synchronous belts have a tendency to move axially and will ride off the edge of the sprockets.

In order to keep the belt on the sprocket, side flanges are needed.

On all synchronous drives the following conditions should be considered when selecting flanged sprockets.

1. Two Sprocket Drives: One sprocket must have flanges on both sides or both sprockets must have one flange but on opposite sides.
2. Long Center Drives: When the center distance is greater than or equal to eight times the small sprocket diameter, both sprockets should be flanged.
3. Vertical Shaft Drives: One sprocket should be flanged on both sides, all other sprockets in the drive system should have one flange on the bottom side.
4. Multiple Sprocket Drives: Every other sprocket should be flanged on both sides, one flange on each sprocket on alternating sides around the entire system.

Most smaller stock sprockets are flanged (80 tooth and smaller)



**DISTRIBUIDOR  
AUTORIZADO**

MEX (55) 53 63 23 31 MTY (81) 83 54 10 18  
QRO (442) 1 95 72 60 [ventas@industrialmagza.com](mailto:ventas@industrialmagza.com)



**DISTRIBUIDOR  
AUTORIZADO**

MEX (55) 53 63 23 31 MTY (81) 83 54 10 18  
QRO (442) 1 95 72 60 [ventas@industrialmagza.com](mailto:ventas@industrialmagza.com)

## Fixed Centers (No Adjustment)

True fixed center applications are those where no provision for adjustment of driver or driven shaft exist. Fixed centers are not recommended for any synchronous belt drive other than motion transfer (low or no torque) drives. Fixed center drives imply need for exact tolerances. Although length tolerances for synchronous belts are considerably less than those for other belts, no belt can be manufactured without some tolerance. Sprocket manufacturing tolerances also contribute to the fixed center drive problem.

Fixed center applications prevent proper belt installation and tensioning procedures, reduced belt performance can result. The use of an idler can solve the problems associated with fixed center drives. See the page in this section concerning the use of idlers.

## Teeth In Mesh

For a synchronous drive to transmit the full capacity of the belt, it is necessary to have a minimum of 6 teeth in mesh on the driver and all driven wheels in the drive. The two-wheel drives selected from our pre-engineered selection area of our catalog meet this requirement. For drives having less than 6 teeth in mesh, the horsepower of the drive should be multiplied by the proper correction factor.

Teeth in Mesh	Correction Factor
6	1.00
5	0.80
4	0.60
3	0.40
2	0.20

## BELT PULL

The drive designer is often asked by the machine designer for the necessary information to calculate bearing loads. The portion of the bearing load induced by the belt drive is a combination of the sprocket weights and the belt pull. The weights can be found in the dimensional tables for the sprockets. To calculate the approximate belt pull, you will need the following:

1. FPM of the Drive  
$$\text{FPM} = \text{Pitch Diameter} \times \text{RPM} \times .262$$
2. Design Horsepower  
(Driver horsepower X Service factor)
3. Effective Pull = (Design HP x 33000) / FPM  
$$\text{Min. Belt Pull} = 1.5 \times \text{Effective Belt Pull}$$
$$\text{Max. Belt Pull} = 2.25 \times \text{Effective Belt Pull}$$



**DISTRIBUIDOR AUTORIZADO** MEX (55) 53 63 23 31 MTY (81) 83 54 10 18  
QRO (442) 1 95 72 60 [ventas@industrialmagza.com](mailto:ventas@industrialmagza.com)



## Bearing Load Calculations

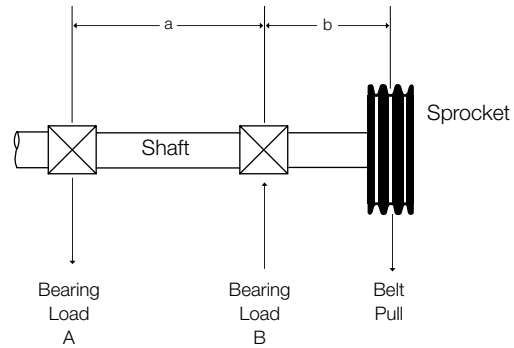
In order to find actual bearing loads, it is necessary to know weights of machine components and the value of all other forces contributing to the load. However, it is sometimes desired to know the bearing load contributed by the belt drive alone. You can find bearing load due to the drive if you know your bearing spacing with respect to the sheave center, and the belt pull as calculated above. To do this use the following formulas:

### A. OVERHUNG SPROCKET

$$\text{Load at B, pounds} = \frac{\text{Belt Pull} \times (a + b)}{a}$$

$$\text{Load at A, pounds} = \text{Belt Pull} \times \frac{b}{a}$$

where: a and b = spacing, inches, per drawing at right



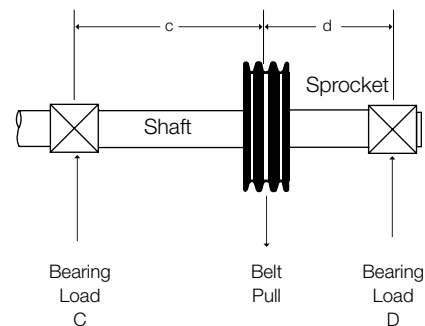
**OVERHUNG SPROCKET**

### B. SPROCKET BETWEEN BEARINGS

$$\text{Load at D, pounds} = \frac{\text{Belt Pull} \times c}{(c + d)}$$

$$\text{Load at C, pounds} = \frac{\text{Belt Pull} \times d}{(c + d)}$$

where: c and d = spacing, inches, per drawing at right



**SPROCKET BETWEEN BEARINGS**



**DISTRIBUIDOR  
AUTORIZADO**

MEX (55) 53 63 23 31 MTY (81) 83 54 10 18  
QRO (442) 1 95 72 60 ventas@industrialmagza.com



## Use Of Idlers - Synchronous & Timing Drives

Idlers are occasionally used in the design of synchronous belt drives for various reasons:

1. To provide take-up for fixed center drives.
2. To clear obstructions.
3. To subdue belt whip on long center drives.

**NOTE: Do not use spring loaded or weighted idlers on synchronous drives.**

Idlers should be avoided where possible because they either reduce the horsepower rating or shorten belt life. Idlers may be placed either outside or inside the drive. A common serious fault in designing drives is the use of idlers, which are too small. The use of such idlers introduces severe reverse ending stresses in the belt, resulting in drastically reduced belt life.

### OUTSIDE IDLERS

An outside idler increases the number of teeth in mesh, but the amount of take-up, in the case of take-up idlers, will be limited by the belt on the opposite side of the drive. Outside idlers are always flat because they contact the top of the belt. Idlers should be located, if at all possible, on the slack side of the drive. A flat idler pulley, outside, should be located as close as possible to the preceding sprockets. This is because belts move back and forth slightly on a flat pulley and locating it as far away from the next sprocket minimizes the possibility of the belt entering that sprocket in a misaligned condition. Outside flat idlers should be one third larger than the smallest loaded synchronous sprocket. It should be remembered that the smallest loaded synchronous sprocket should not be smaller than the minimum pitch diameter recommended.

### INSIDE IDLERS

An inside idler decreases the number of teeth in mesh on the adjacent sprockets. Inside idlers are usually synchronous sprockets. An inside idler sprocket may be located at any point along the span, preferably so that it gives nearly equal arcs of contact on the two adjacent sprockets. Inside idlers should be at least as large in diameter as the smallest loaded synchronous sprocket. Flat idlers may be used on the inside of a synchronous belt drive if the diameter of the flat pulley is as large as a sprocket which has 40 grooves or more.

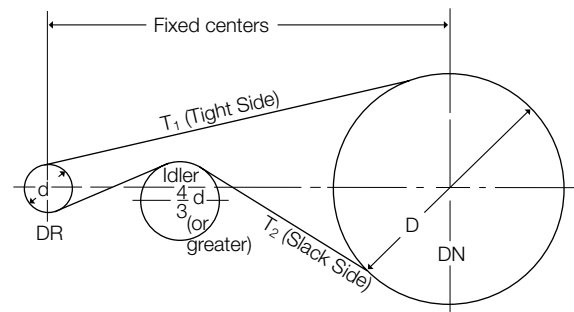
### IDLER MOUNTING

Mounting brackets for idlers should be sturdily constructed and meticulously aligned. It is frequently found that drive problems described as "belt stretch," "belt instability," "short belt life," "belt roughness," "belt vibration," and many others are traceable to flimsy idler brackets, bearings, etc. the idler mounting must be designed to be capable of withstanding forces imposed by the operating belt tensions.

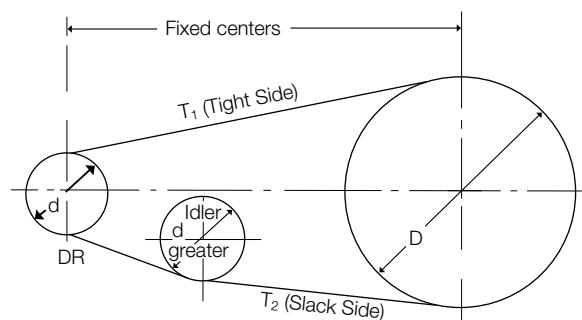
### SERVICE FACTOR

If the necessary recommendations are followed, it is possible to design satisfactory Synchronous drives using idlers. However, idlers always impose an additional bending stress on the belt. This reduces the belt horsepower rating. This is reflected by an addition (**.2 for each idler**) to the service factor when designing. If the horsepower ratings are not reduced to account for the use of an idler, belt life will be reduced. The rating of a drive or its life expectancy is drastically reduced when idlers below the minimum recommended diameter are used. The bending stress induced in the belt becomes greater as the idler diameter becomes smaller.

### CENTER DISTANCES MUST BE FIXED AND RIGID



Typical Outside Flat Idler Arrangement



Typical Inside Idler Arrangement



DISTRIBUIDOR  
AUTORIZADO

MEX (55) 53 63 23 31 MTY (81) 83 54 10 18  
QRO (442) 1 95 72 60 ventas@industrialmagza.com



## Synchronous Drives

Type of Failure	Cause of Failure	Corrective Action
excessive edge wear (exposed tensile member)	misalignment or non-rigid centers	<i>check alignment and/or reinforce mounting</i>
	belt flange	<i>straighten flange</i>
jacket wear on pressure-face side of belt tooth	excessive overload and/or excessive belt tightness	<i>reduce installation tension and/or increase drive load- carrying capacity</i>
excessive jacket wear between belt teeth (exposed tension members)	excessive installation tension	<i>reduce installation tension</i>
cracks in neoprene backing	exposure to excessive low temp (below - 30°F)	<i>eliminate low temperature condition or consult factory for proper belt construction</i>
softening of neoprene backing	exposure to excessive heat (+ 200°F) and/or oil	<i>eliminate high temperature and oil condition or consult factory for proper belt construction</i>
excessive pulley tooth wear (on pressure-face and/or OD)	excessive overload and/or excessive belt tightness	<i>reduce installation tension and/or increase drive load- carrying capacity</i>
	insufficient hardness of pulley material	<i>surface-harden pulley or use harder material</i>
unmounting of flange	incorrect flange installation	<i>reinstall flange correctly</i>
	misalignment	<i>correct alignment</i>
excessive drive noise *	misalignment	<i>correct alignment</i>
	excessive installation tension	<i>reduce tension</i>
	excessive load	<i>increase drive load-carrying capacity</i>
	sub-minimum pulley diameter	<i>increase pulley diameters</i>
tooth shear	less than 6 teeth in mesh (TIM)	<i>increase TIM or use next smaller pitch</i>
	excessive load	<i>increase drive load-carrying capacity</i>
apparent belt stretch	reduction of center distance or non-rigid mounting	<i>retension drive and/or reinforce mounting</i>
cracks or premature wear at belt tooth root	improper pulley groove top radius	<i>regroove or install new pulleys</i>
tensile break	excessive load	<i>increase load-carrying capacity of drive</i>
	sub-minimum pulley diameter	<i>increase pulley diameters</i>

**\*NOTE:** Effective noise reduction for power transmission drives can be accomplished by incorporating a flexible noise absorbing material with the protective guard. The guard design must allow a cooling air passage on the top and bottom to prevent overheating the drive.



**DISTRIBUIDOR  
AUTORIZADO**

MEX (55) 53 63 23 31 MTY (81) 83 54 10 18  
QRO (442) 1 95 72 60 [ventas@industrialmagza.com](mailto:ventas@industrialmagza.com)





# Premier Industrial Company Leading Brands

## OTHER PRODUCT SOLUTIONS FROM **ALTRA MOTION**

Our comprehensive product offerings include various types of clutches and brakes, overrunning clutches, engineered bearing assemblies, gearing and gear motors along with linear motion products, belted drives, couplings, limit switches, precision motors, drives & controls, miniature motors and engine braking systems. With thousands of product solutions available, Altra provides true single source convenience while meeting specific customer requirements. Many major OEMs and end users prefer Altra products as their No. 1 choice for performance and reliability.

**WWW.ALTRAMOTION.COM**



### **Electric Clutches & Brakes**

Inertia Dynamics  
Matrix  
Stromag  
Warner Electric



### **Precision Motors & Automation**

Kollmorgen



### **Heavy Duty Clutches & Brakes**

Industrial Clutch  
Stromag  
Svendborg Brakes  
Twiflex  
Wichita Clutch



### **Miniature Motors**

Portescap



### **Overrunning Clutches**

Formsprag Clutch  
Marland Clutch  
Stieber



### **Linear Systems**

Thomson  
Warner Linear



### **Engineered Couplings & Universal Joints**

Ameridrives  
Bibby Turboflex  
Guardian Couplings  
Huco  
Lamiflex Couplings  
Stromag  
TB Wood's



### **Engine Braking Systems**

Jacobs Vehicle Systems



### **Gear Drives & Gear Motors**

Bauer Gear Motor  
Boston Gear  
Delroyd Worm Gear  
Nuttall Gear



**DISTRIBUIDOR  
AUTORIZADO**

MEX (55) 53 63 23 31  
QRO (442) 1 95 72 69

MTY (81) 83 54 10 18  
ventas@industrialmagza.com

### **Specialty Components**

Kilian  
Stromag  
TB Wood's



**DISTRIBUIDOR  
AUTORIZADO** MEX (55) 53 63 23 31 MTY (81) 83 54 10 18  
QRO (442) 1 95 72 69 ventas@industrialmagza.com

## TB Wood's Facilities

### North America

#### USA

440 North Fifth Avenue  
Chambersburg, PA 17201 - USA  
888-829-6637 \* 717-264-7161

*Belted Drives and Elastomeric Couplings*

#### Customer Service

1-888-829-6637 (Press #5)

#### For Application Support

1-888-829-6637 (Press #7)

2000 Clovis Barker Road  
San Marcos, TX 78666 - USA  
1-888-449-9439

*General Purpose Disc Couplings*

#### Customer Service

1-888-449-9439

4970 Joule St  
Reno, NV 89502 - USA  
775-857-1800

#### Canada

9779 45 Ave NW  
Edmonton, AB T6E 5V8 - Canada  
+1 780-439-7979

6305 Danville Road  
Mississauga, ON L5T 2H7 - Canada  
1-800-829-6631

1073 Rue Bégin  
Saint-Laurent, QC H4R 1V8 - Canada  
+1 514-332-4812

#### Mexico

Comisión Federal de Electricidad 850,  
Industrial San Luis,  
San Luis, S.L.P., 78395 - Mexico  
+52 444 137 1500

### Europe

Merchant Drive, Hertford  
Hertfordshire SG13 7BL - England  
+44(0)1992 501900

*Elastomeric Couplings*

## The Brands of Altra Motion

### Couplings

**Ameridrives**  
www.ameridrives.com

**Bibby Turboflex**  
www.bibbyturboflex.com

**Guardian Couplings**  
www.guardiancouplings.com

**Huco**  
www.huco.com

**Lamiflex Couplings**  
www.lamiflexcouplings.com

**Stromag**  
www.stromag.com

**TB Wood's**  
www.tbwoods.com

### Linear Systems

**Thomson**  
www.thomsonlinear.com

**Warner Linear**  
www.warnerlinear.com

### Geared Cam Limit Switches

**Stromag**  
www.stromag.com

### Engineered Bearing Assemblies

**Kilian**  
www.kilianbearings.com

### Electric Clutches & Brakes

**Matrix**  
www.matrix-international.com

**Stromag**  
www.stromag.com

**Warner Electric**  
www.warnerelectric.com

**Deltran**  
www.thomsonlinear.com

### Belted Drives

**TB Wood's**  
www.tbwoods.com

### Heavy Duty Clutches & Brakes

**Twiflex**  
www.twiflex.com

**Stromag**  
www.stromag.com

**Svendborg Brakes**  
www.svendborg-brakes.com

**Wichita Clutch**  
www.wichitaclutch.com

### Gearing & Specialty Components

**Bauer Gear Motor**  
www.bauergears.com

**Boston Gear**  
www.bostongear.com

**Delevan**  
www.delevan.com

**Delroyd Worm Gear**  
www.delroyd.com

**Nuttall Gear**  
www.nuttallgear.com

### Engine Braking Systems

**Jacobs Vehicle Systems**  
www.jacobsvehiclesystems.com

### Precision Motors & Auto

**Kollmorgen**  
www.kollmorgen.com

### Miniature Motors

**Portescap**  
www.portescap.com

### Overrunning Clutches

**Formsprag Clutch**  
www.formsprag.com

**Marland Clutch**  
www.marland.com

**Stieber**  
www.stieberclutch.com

Neither the accuracy nor completeness of the information contained in this publication is guaranteed by the company and may be subject to change in its sole discretion. The operating and performance characteristics of these products may vary depending on the application, installation, operating conditions and environmental factors. The company's terms and conditions of sale can be viewed at <http://www.altramotion.com/terms-and-conditions/sales-terms-and-conditions>. These terms and conditions apply to any person who may buy, acquire or use a product referred to herein, including any person who buys from a licensed distributor of these branded products.

©2019 by TB Wood's LLC. All rights reserved. All trademarks in this publication are the sole and exclusive property of TB Wood's LLC or one of its affiliated companies.